



## SERVICE MANUAL

# MODEL 1630A/D/G LOGIC ANALYZER

### SERIAL NUMBERS

This manual applies directly to instruments with serial numbers prefixed:

1630A; 2412A

1630D; 2412A

1630G; 2415A

With changes described within, this manual also applies to instruments with serial prefixes:

1630A; 2242A and 2311A

1630D; 2234A and 2311A

For additional important information about serial numbers, see INSTRUMENTS COVERED BY MANUAL in Section I.

© COPYRIGHT HEWLETT-PACKARD COMPANY/COLORADO SPRINGS DIVISION 1984  
1900 GARDEN OF THE GODS ROAD, COLORADO SPRINGS, COLORADO U.S.A.

ALL RIGHTS RESERVED

Manual Part No. 01630-90910  
Manual with Binder Part No. 01630-90905  
Microfiche Part No. 01630-90810

**PRINTED: JUNE 1984**

## CERTIFICATION

*Hewlett-Packard Company certifies that this product met its published specifications at the time of shipment from the factory. Hewlett-Packard further certifies that its calibration measurements are traceable to the United States National Bureau of Standards, to the extent allowed by the Bureau's calibration facility, and to the calibration facilities of other International Standards Organization members.*

## WARRANTY

This Hewlett-Packard product is warranted against defects in material and workmanship for a period of one year from date of shipment. During the warranty period, Hewlett-Packard Company will, at its option, either repair or replace products which prove to be defective.

For warranty service or repair, this product must be returned to a service facility designated by HP. Buyer shall prepay shipping charges to HP and HP shall pay shipping charges to return the product to Buyer. However, Buyer shall pay all shipping charges, duties, and taxes for products returned to HP from another country.

HP warrants that its software and firmware designated by HP for use with an instrument will execute its programming instructions when properly installed on that instrument. HP does not warrant that the operation of the instrument, or software, or firmware will be uninterrupted or error free.

## LIMITATION OF WARRANTY

The foregoing warranty shall not apply to defects resulting from improper or inadequate maintenance by Buyer, buyer-supplied software or interfacing, unauthorized modification or misuse, operation outside the environmental specifications for the product, or improper site preparation or maintenance.

NO OTHER WARRANTY IS EXPRESSED OR IMPLIED. HP SPECIFICALLY DISCLAIMS THE IMPLIED WARRANTIES OF MERCHANTABILITY AND FITNESS FOR A PARTICULAR PURPOSE.

## EXCLUSIVE REMEDIES

THE REMEDIES PROVIDED HEREIN ARE BUYER'S SOLE AND EXCLUSIVE REMEDIES. HP SHALL NOT BE LIABLE FOR ANY DIRECT, INDIRECT, SPECIAL, INCIDENTAL, OR CONSEQUENTIAL DAMAGES, WHETHER BASED ON CONTRACT, TORT, OR ANY OTHER LEGAL THEORY.

## ASSISTANCE

*Product maintenance agreements and other customer assistance agreements are available for Hewlett-Packard products.*

*For any assistance, contact your nearest Hewlett-Packard Sales and Service Office. Addresses are provided at the back of this manual.*

C W & A 5/84

## SAFETY CONSIDERATIONS

**GENERAL** – This is a Safety Class I instrument (provided with terminal for protective earthing).

**OPERATION** – BEFORE APPLYING POWER verify that the power transformer primary is matched to the available line voltage, the correct fuse is installed, and Safety Precautions are taken (see the following warnings). In addition, note the instrument's external markings which are described under "Safety Symbols."

### WARNING

- \* Servicing instructions are for use by service-trained personnel. To avoid dangerous electric shock, do not perform any servicing unless qualified to do so.
- \* BEFORE SWITCHING ON THE INSTRUMENT, the protective earth terminal of the instrument must be connected to the protective conductor of the (mains) powercord. The mains plug shall only be inserted in a socket outlet provided with a protective earth contact. The protective action must not be negated by the use of an extension cord (power cable) without a protective conductor (grounding). Grounding one conductor of a two-conductor outlet is not sufficient protection.
- \* If this instrument is to be energized via an auto-transformer (for voltage reduction) make sure the common terminal is connected to the earth terminal of the power source.
- \* Any interruption of the protective (grounding) conductor (inside or outside the instrument) or disconnecting the protective earth terminal will cause a potential shock hazard that could result in personal injury.
- \* Whenever it is likely that the protection has been impaired, the instrument must be made inoperative and be secured against any unintended operation.
- \* Only fuses with the required rated current, voltage, and specified type (normal blow, time delay, etc.) should be used. Do not use repaired fuses or short circuited fuseholders. To do so could cause a shock or fire hazard.
- \* Do not operate the instrument in the presence of flammable gasses or fumes. Operation of any electrical instrument in such an environment constitutes a definite safety hazard.

- \* Do not install substitute parts or perform any unauthorized modification to the instrument.
- \* Adjustments described in the manual are performed with power supplied to the instrument while protective covers are removed. Energy available at many points may, if contacted, result in personal injury.
- \* Any adjustment, maintenance, and repair of the opened instrument under voltage should be avoided as much as possible, and when inevitable, should be carried out only by a skilled person who is aware of the hazard involved.
- \* Capacitors inside the instrument may still be charged even if the instrument has been disconnected from its source of supply.

## SAFETY SYMBOLS



Instruction manual symbol. The product will be marked with this symbol when it is necessary for the user to refer to the instruction manual in order to protect against damage to the product.



Indicates hazardous voltages.



Earth terminal (sometimes used in manual to indicate circuit common connected to grounded chassis).

### WARNING

The WARNING sign denotes a hazard. It calls attention to a procedure, practice, or the like, which, if not correctly performed or adhered to, could result in personal injury. Do not proceed beyond a WARNING sign until the indicated conditions are fully understood and met.

### CAUTION

The CAUTION sign denotes a hazard. It calls attention to an operating procedure, practice, or the like, which, if not correctly performed or adhered to, could result in damage to or destruction of part or all of the product. Do not proceed beyond a CAUTION sign until the indicated conditions are fully understood or met.



## TABLE OF CONTENTS

| Section  | Page       |
|--|------------|
| <b>I GENERAL INFORMATION</b> .....               | <b>1-1</b> |
| 1-1. Introduction .....                          | 1-1        |
| 1-2. Manual Organization .....                   | 1-1        |
| 1-3. Instruments Covered By This Manual .....    | 1-2        |
| 1-4. Description .....                           | 1-3        |
| 1-5. Accessories Supplied .....                  | 1-4        |
| 1-6. Specifications .....                        | 1-4        |
| 1-7. Recommended Test Equipment .....            | 1-6        |
| <br>   |            |
| <b>II INSTALLATION</b> .....                     | <b>2-1</b> |
| 2-1. Introduction .....                          | 2-1        |
| 2-2. Preparation For Use .....                   | 2-1        |
| 2-3. Power Requirements .....                    | 2-1        |
| 2-4. Line Voltage Selection .....                | 2-1        |
| 2-5. Power Cable .....                           | 2-1        |
| 2-6. Operating Environment .....                 | 2-2        |
| 2-7. Cleaning Requirements .....                 | 2-2        |
| 2-8. Storage and Shipment .....                  | 2-2        |
| 2-9. Environment .....                           | 2-2        |
| 2-10. Packaging .....                            | 2-3        |
| 2-11. Tagging For Service .....                  | 2-3        |
| 2-12. Original Packaging .....                   | 2-3        |
| 2-13. Other Packaging .....                      | 2-3        |
| <br>   |            |
| <b>III OPERATION</b> .....                       | <b>3-1</b> |
| 3-1. Introduction .....                          | 3-1        |
| <br>   |            |
| <b>IV PERFORMANCE TESTS</b> .....                | <b>4-1</b> |
| 4-1. Introduction .....                          | 4-1        |
| 4-2. Equipment Required .....                    | 4-1        |
| 4-3. Self Test Function Verification .....       | 4-1        |
| 4-4. Initiating 1630A/D/G Self Test (ST) .....   | 4-1        |
| 4-5. 1630A/D/G ST RAM Test Procedure .....       | 4-2        |
| 4-6. 1630A/D/G ST ROM Test Procedure .....       | 4-3        |
| 4-7. 1630A/D ST Acquisition Test Procedure ..... | 4-4        |
| 4-8. 1630G ST Acquisition Test Procedure .....   | 4-7        |
| 4-9. 1630G Internal Storage Test and Reset ..... | 4-10       |
| 4-10. 1630A/D/G Keyboard Test Procedure .....    | 4-11       |

## TABLE OF CONTENTS (Cont'd)

| Section                                  | Page    |
|--|---------|
| <b>V ADJUSTMENTS</b> .....               | 5-1     |
| 5-1. Introduction .....                  | 5-1     |
| 5-2. Equipment Required .....            | 5-1     |
| 5-3. Power Supply Adjustment .....       | 5-1     |
| 5-4. CPU Adjustment .....                | 5-2     |
| 5-5. Display System Adjustments .....    | 5-3     |
| 5-6. Timing Master Adjustment .....      | 5-7     |
| 5-7. State Master Board Adjustment ..... | 5-8     |
| 5-8.     1726A Scope Setp. ....          | 5-8     |
| 5-9.     Width Adjustment. ....          | 5-9     |
| 5-10. Delay Adjustment. ....             | 5-10    |
| 5-11. State Slave Board Adjustment ..... | 5-11    |
| <br><b>VI REPLACEABLE PARTS</b> .....    | <br>6-1 |
| 6-1. Introduction .....                  | 6-1     |
| 6-2. Abbreviations .....                 | 6-1     |
| 6-3. Parts List .....                    | 6-1     |
| 6-4. Ordering Information .....          | 6-2     |
| 6-5. Direct Mail Order System. ....      | 6-2     |
| <br><b>VII INSTRUMENT CHANGES</b> .....  | <br>7-1 |
| 7-1. Introduction .....                  | 7-1     |
| 7-2. Manual Changes .....                | 7-1     |
| 7-3. Instrument Changes .....            | 7-1     |
| 7-4. Instrument Family History .....     | 7-2     |

## TABLE OF CONTENTS (Cont'd)

| Section   | Page |
|---|------|
| VIII SERVICE . . . . .  | 8-1  |
| 8-1. Introduction . . . . .                                     | 8-1  |
| 8-2. Safety Considerations . . . . .                            | 8-1  |
| 8-3. Block Diagram Theory . . . . .                             | 8-2  |
| 8-4. Logic Convention . . . . .                                 | 8-4  |
| 8-5. ECL Attributes . . . . .                                   | 8-4  |
| 8-6. Removal and Installation of Mainframe Components . . . . . | 8-9  |
| 8-7. Acquisition Board Removal (State and Timing) . . . . .     | 8-9  |
| 8-8. CPU Board Removal . . . . .                                | 8-10 |
| 8-9. Power Supply Board Removal . . . . .                       | 8-10 |
| 8-10. Motherboard Removal . . . . .                             | 8-11 |
| 8-11. Keyboard Removal . . . . .                                | 8-18 |
| 8-12. CRT Removal . . . . .                                     | 8-19 |
| 8-13. Display Driver Removal . . . . .                          | 8-20 |
| 8-14. Probe Disassembly . . . . .                               | 8-24 |
| 8-15. Macrocell Removal . . . . .                               | 8-24 |
| 8-16. Macrocell Installation . . . . .                          | 8-24 |

### NOTE

Service and circuit information for the individual assemblies is located in separate sections. Tables of Contents for each section are located at the front of the section. The sections are divided as follows:

| SECTION | ASSEMBLY                     |
|---------|------------------------------|
| 8A      | Power Supply and Motherboard |
| 8B      | CPU and Keyboard             |
| 8C      | State Master                 |
| 8D      | Timing Master                |
| 8E      | Timing Slave                 |
| 8F      | State Slave                  |

### APPENDICES

The appendices provide additional information for instrument service. A Table of Contents is provided at the front of each appendix.

|            |   |
|------------|---|
| Appendix A | 1630A/D Repair and Verification Procedures  |
| Appendix B | 1630G Repair and Verification Procedures    |
| Appendix C | 1630A/D/G Special Case Node Testing         |
| Appendix D | 1630A/D/G Retrofit Instructions             |
| Appendix E | 1630A/D/G Miscellaneous Service Information |

## LIST OF ILLUSTRATIONS

| Figure  | Page |
|---|------|
| 2-1. Power Cord Configurations . . . . .                | 2-1  |
| 3-1. Front Panel Controls . . . . .                     | 3-1  |
| 3-2. HP-IB System Configuration . . . . .               | 3-2  |
| 3-3. HP-IL System Configuration . . . . .               | 3-2  |
| 4-1. Keyboard Test Pattern . . . . .                    | 4-7  |
| 4-2. Keyboard Test Pattern Part 2 . . . . .             | 4-8  |
| 5-1. Yoke Centering Adjustment . . . . .                | 5-5  |
| 5-2. Display Adjustment Locations . . . . .             | 5-6  |
| 5-3. Display Test Pattern . . . . .                     | 5-6  |
| 6-1. Mainframe Mechanical Parts Locations . . . . .     | 6-5  |
| 8-1. 1630A/D Acquisition System Block Diagram . . . . . | 8-3  |

## LIST OF TABLES

| Table  | Page |
|--|------|
| 1-1. Specifications . . . . .                          | 1-4  |
| 1-2. Supplemental Characteristics . . . . .            | 1-5  |
| 1-3. Recommended Test Equipment . . . . .              | 1-6  |
| 6-1. Reference Designators and Abbreviations . . . . . | 6-3  |
| 6-2. Replaceable Parts List . . . . .                  | 6-9  |
| 6-3. List of Manufacturers' Codes . . . . .            | 6-40 |
| 7-1. Board Complements vs. Serial Prefixes . . . . .   | 7-1  |
| 8-1. Logic Symbols . . . . .                           | 8-5  |
| 8-2. Schematic Diagram Notes . . . . .                 | 8-8  |



# SECTION I GENERAL INFORMATION

**WARNING**

The information in this manual is for the use of trained service personnel. To avoid electrical shock, do not perform any procedures in the manual or do any servicing to the 1630A/D/G unless you are qualified.

## 1-1. INTRODUCTION

This manual contains technical information concerning the installation, operation, maintenance, and servicing of the 1630A, 1630D, and 1630G Logic Analyzers. When information concerns more than one model the system will be referred to as 1630A/D, 1630A/D/G, etc.

## 1-2. MANUAL ORGANIZATION

**SECTION I, GENERAL INFORMATION.** This section contains a description of this manual and the 1630 family. This section also gives specifications and recommended test equipment for the 1630A/D/G Logic Analyzer.

**SECTION II, INSTALLATION.** Section II explains how to prepare the 1630A/D/G Logic Analyzer for use.

**SECTION III, OPERATION.** Operation of the 1630A/D/G is outside the scope of this service manual. Section III does give a brief description of front panel controls and information about configuration of the 1630A/D/G for HP-IB and HP-IL operation. For complete operating instructions see the Operating Manual.

**SECTION IV, PERFORMANCE TESTS.** This section concerns the execution of software-based function verification Self Test (ST) tests, which includes the interpretation of status codes to verify correct operation.

**SECTION V, ADJUSTMENTS.** The 1630A/D/G requires several adjustments that can be done with an oscilloscope, voltmeter, and HP85; these are covered in this section.

**SECTION VI, REPLACEABLE PARTS.** This section contains ordering information and a parts list for all models of the 1630.

**SECTION VII, INSTRUMENT CHANGES.** This section has information which describes changes to the instrument and how to find proper documentation for the instrument being serviced.

**SECTION VIII, SERVICE.** The Service section is divided into seven subsections. The first subsection covers the overall system. This includes system theory, and which service group to reference with a failure. The service groups focus on individual subsystems. Information in these groups includes block and component level theory, mnemonics, and schematics relating to that subsystem. Each subsystem and its service group designator is as follows:

- 8 - Introduction and General Information
- 8A - Power Supply and Motherboard
- 8B - CPU, Keyboard, and Display
- 8C - State Master
- 8D - Timing Master
- 8E - Timing Slave
- 8F - State Slave

**APPENDICES.** Several appendices provide additional information for servicing the 1630 family. Appendices A and B provide Guided Probe troubleshooting information for the 1630A/D and 1630G respectively. Guided Probe is a software driven troubleshooting technique used to find faults in the 1630A/D/G systems. Appendix C provides supplementary special-case testing which accompanies Guided Probe. Appendix D contains retrofit instructions for converting a 1630A or 1630D to a 1630G, and converting a 1630G to a 1630D. Appendix E provides miscellaneous service information which has been distributed through other channels and is included in this manual for reference and convenience.

## **1-3. INSTRUMENTS COVERED BY THIS MANUAL**

Attached to the instrument is a serial number sticker. The serial number is in the form 0000A00000. It is in two parts; the first four digits and the letter are the serial prefix and the last five are the suffix. The prefix is the same for all identical instruments; it only changes when a change is made to the instrument. The suffix, however, is assigned sequentially and is different for each instrument. The contents of this manual applies to instruments with serial number prefix(es) listed under SERIAL NUMBERS on the title page.

An instrument manufactured after the printing of this manual may have a serial number prefix not listed on the title page. This unlisted serial number prefix indicates the instrument is different from those described in this manual. The manual for this newer instrument is accompanied by a yellow Manual Changes supplement. The supplement contains "change information" that explains how to adapt the manual to the newer instrument.

In addition to change information, the supplement may contain information for correcting errors in the manual. To keep this manual as current and accurate as possible, Hewlett-Packard recommends that you periodically request the latest Manual Changes supplement. The supplement is identified by the manual print date and part number, both of which appear on the manual title page. Complimentary copies of the supplement are available on request.

Shown on the title page is a microfiche part number. This number can be used to order 4 x 6 inch microfilm transparencies of this manual. Each microfiche contains up to 96 photoduplicates of the manual pages.

## 1-4. DESCRIPTION

The Hewlett-Packard 1630A, 1630D, and 1630G Logic Analyzers are interactive state and timing analyzers for use in the design and troubleshooting of digital systems. Many functions of the systems are the same. The most obvious difference is that the width of the 1630A is 35 channels, the 1630D is 43 channels, and the 1630G is 65 channels. All models feature a menu system for defining measurements which simplifies setup time by reducing the number and complexity of front panel keys. Following is a listing of the key measurement features of the 1630A/D/G systems.

**STATE ANALYSIS.** The state analysis function of each model features:

- \* Continuous trace until compare "equal to" or "not equal to" is provided. The compare file is the width of the analyzer, and has depth of up to 16 words with the 1630A/D and in the edit compare mode of the 1630G. The 1630G has a full compare mode in which the entire trace may be compared.
- \* Three ORed clocks given in single-phase or two-phase demultiplexing modes.
- \* Data sampling up to 25 MHz.
- \* 1024 states available in memory after a trace.
- \* A State Chart of any user-defined label can be displayed.
- \* State analysis can be armed by the timing analysis section.
- \* A State Histogram of any user-defined label can be shown.
- \* A Time Interval Histogram of the time software takes to execute from one selected point in software to another.
- \* Time Positional measurements for the occurrences of an event per unit time may be made. (1630G only)
- \* Linkage measurements which show the relative frequency of occurrence of a set of events. (1630G only)

**TIMING ANALYSIS.** The timing analysis function of each system features:

- \* Sampling ranges from 10 nS to 500 mS, in increments of 1, 2, and 5.
- \* Timing waveforms that can be magnified from X1 to X40 in 1, 2, and 4 increments.
- \* Time between dual cursors (x and o) can be displayed to within 1 sample period.
- \* 1024 samples available in memory after a trace.
- \* Timing analysis can be armed by the state analysis section.
- \* Timing can be triggered by an asynchronous pattern, ANDed with a glitch or edge on any channel, and patterns that exceed or fall short of a specified time limit.

## 1-5. ACCESSORIES SUPPLIED

The following accessories are supplied with the 1630:

- 1630A:** Three 10-bit 10271A State Probes and one 8-bit 10272A State/Timing Probe.
- 1630B:** Three 10-bit 10271A State Probes and two 8-bit 10272A State/Timing Probes.
- 1630G:** Three 10-bit 10271A State Probes, three 10-bit 10273 State Probes, and one 8-bit 10272A State/Timing Probe.
- ALL:** One 2.3 meter (7.5 ft) power cord.  
One Hewlett-Packard Interface Loop (HP-IL) cable.  
One Operating Manual.

## 1-6. SPECIFICATIONS

Instrument specifications are listed in table 1-1. These specifications are the performance standards or limits against which the instrument is tested. Table 1-2 lists supplemental characteristics, not specifications but typical characteristics included as additional information for the user.

*Table 1-1. Input Specifications*

|   |
|---|
| <b>CLOCK REPETITION RATE:</b>   |
| Single Phase: 25 MHz with single clock and single edge specified. 20 MHz with any ORed combination of clocks and edges.             |
| Multiplexed: Master clock must follow slave clock by at least 10 nS and precede next slave clock by 50 nS or more.                  |
| <b>CLOCK PULSE WIDTH:</b> $\geq 20$ nS at threshold.  |
| <b>SETUP TIME:</b> Time data must be present prior to clock transition, $\geq 20$ nS  |
| <b>HOLD TIME:</b> Time data must be present after clock transition, 0 nS  |
| <b>INPUT RC:</b> 100K ohms $\pm 2\%$ shunted by approximately 5 pf at probe body.   |
| <b>MIN SWING:</b> 600 mV p-p  |
| <b>MIN INPUT OVERDRIVE:</b> 250 mV or 30% of input amplitude, whichever is greater.   |
| <b>MAX VOLTAGE:</b> $\pm 40$ volts peak   |
| <b>THRESHOLD RANGE:</b> -9.9 to +9.9 volts in 0.1 volt increments, Accuracy 2.5%<br>$\pm 120$ mV.                                   |
| <b>DYNAMIC RANGE:</b> $\pm 10$ volts about threshold.   |
| <b>GLITCH:</b> Minimum detectable glitch is 5 nS width at threshold. With glitch detection ON, number of timing channels is halved. |

Table 1-2. Supplemental Characteristics

**POWER:**

115 VAC: -22% to +10% (90 - 127 VAC)  
230 VAC: -22% to +10% (180 - 253 VAC)  
Frequency Range: 48 to 66 Hz  
275 Watts Maximum

**OPERATING ENVIROMENT:**

TEMPERATURE: 0 to +55°C (32 to 131°F)  
HUMIDITY: Up to 95% relative humidity at +40°C (non-condensing)  
ALTITUDE: To 4600 meters (15 000 feet)  
VIBRATION: Vibrated in three planes for 15 minutes each with 0.3mm excursions at 5 to 55 Hz.

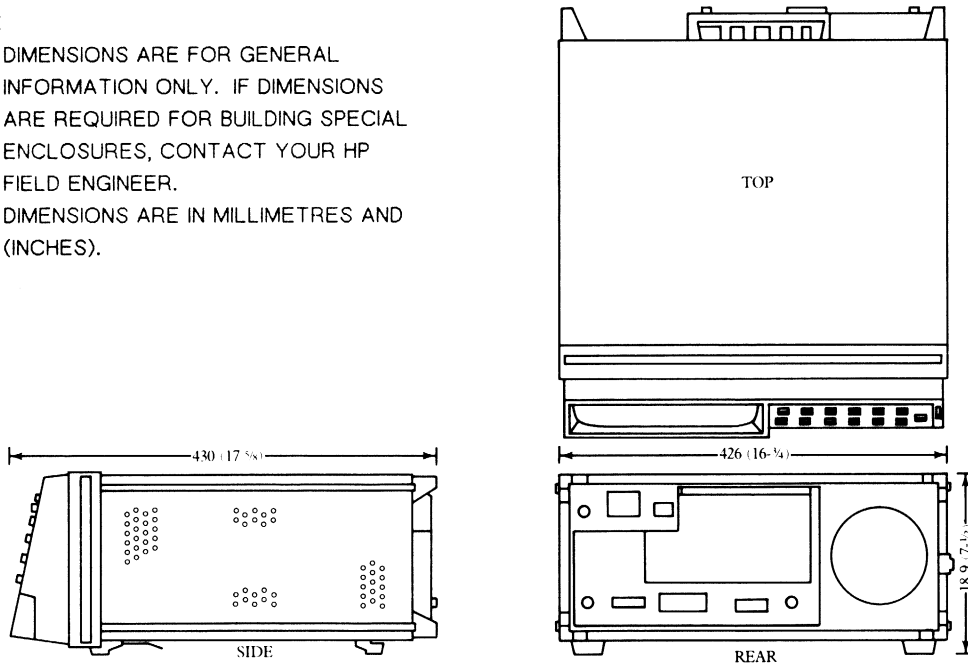
**WEIGHT:**

1630A: net 12.6 kg (28 lbs); shipping 17 kg (38 lbs).  
1630B: net 13.2 kg (29 lbs); shipping 17.7 kg (39 lbs).  
1630G: net 13.6 kg (30 lbs); shipping 18.1 kg (40 lbs).

**DIMENSIONS:**

**NOTES:**

1. DIMENSIONS ARE FOR GENERAL INFORMATION ONLY. IF DIMENSIONS ARE REQUIRED FOR BUILDING SPECIAL ENCLOSURES, CONTACT YOUR HP FIELD ENGINEER.
2. DIMENSIONS ARE IN MILLIMETRES AND (INCHES).



## 1-7. RECOMMENDED TEST EQUIPMENT

Table 1-3 lists the equipment required to adjust and troubleshoot the 1630A/D/G. Other equipment may be substituted if it meets or exceeds the critical specifications given in table 1-3.

*Table 1-3. Recommended Test Equipment*

| INSTRUMENT  | CRITICAL SPECIFICATIONS   | RECOMMENDED MODEL                                       | USE * |
|---|---|---|-------|
| Desktop Computer  | HP 85A-Compatible BASIC<br>HP-IB Interface  | HP 85F Interfacing System + 82903A<br>16K memory module | P,A,T |
| Signature Multimeter                                      | HP-IB Controllable, with DVM<br>Range: -50V to +50V DC<br>Accuracy: +/- 0.01%   | HP 5005B  | P,A,T |
| Oscilloscope  | Dual channel, delayed sweep.<br>Bandwidth: dc to 275 MHz.<br>Time Interval Measurements with<br>10 picosecond resolution and<br>+/-50 picosecond accuracy | HP 1726A With<br>standard HP 10017A<br>probes (10:1)    | P,A,T |
| Current Tracer  |   | HP 547A   | T     |
| Electronic Tool   | No substitute   | ET19776   | P,T   |
| Portable Fan  | Supplies moving air to cool PC<br>Boards in the service slot.<br>(REQUIRED)   |   | A,T   |
| * P=Performance Testing, A=Adjustments, T=Troubleshooting |   |   |       |

# SECTION II INSTALLATION

## 2-1. INTRODUCTION

This section contains the initial operation information for the Model 1630A/D/G. Included are power and grounding requirements, operating environment requirements, cleaning methods and storage and shipment requirements.

## 2-2. PREPARATION FOR USE

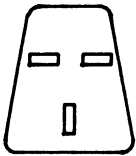
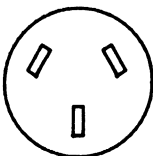
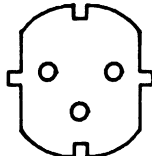
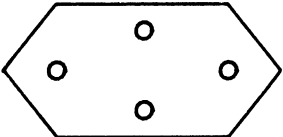

**2-3. POWER REQUIREMENTS.** The 1630A/D/G requires a power source of either 115 or 230 VAC -22% to +10%; single phase, 48 to 66 Hz; 275 watts maximum.

**CAUTION**

The instrument may be damaged if the Line Voltage Select Switch is not properly set to match the input line voltage.

**2-4. LINE VOLTAGE SELECTION.** Before turning ON the instrument verify that the Line Voltage Select Switch on the rear panel matches the input line voltage. The 6 Amp fus installed satisfies both voltage settings of 115 and 230 VAC.

**2-5. POWER CABLE.** This instrument is equipped with a three-wire power cable. When connected to an appropriate AC power outlet, this cable grounds the instrument cabinet. The type of power cable plug shipped with the instrument depends on the country of destination. See figure 2-1 for option numbers of power cables and plug configurations available. Part numbers for each cable option are listed in the parts list in Section VI.

|   |   |   |
|---|---|---|
| <b>OPTION 900</b>   | <b>OPTION 901</b>   | <b>OPTION 902</b>   |
|  |  |  |
| <b>OPTION 906</b>   |   | <b>OPTION 912</b>   |
|  |   |   |

*Figure 2-1. Power Cord Configurations*

## 2-6. OPERATING ENVIRONMENT

The operating environment is noted in table 1-2. Note should be made of the non-condensing humidity limitation. Condensation within the instrument can cause poor operation or malfunction. Protection should be provided against internal condensation.

The 1630A/D/G will operate to all specifications, within the temperature and humidity range given in table 1-2. However, reliability is enhanced by operating the instrument within the following ranges:

Recommended Temperature: 20 to 35°C (68 to 95°F)

Recommended Humidity: 20 to 80% non-condensing

High temperature/humidity combinations should be avoided.

## 2-7. CLEANING REQUIREMENTS

When cleaning the 1630A/D/G, CAUTION must be exercised on which cleaning agents are used. USE MILD SOAP AND WATER. If a harsh soap or solvent is used, the water-base paint finish WILL BE damaged.

CAUTION

BE CAREFUL when cleaning the keyboard. Water can damage the keyboard circuitry if it seeps under the keys.

## 2-8. STORAGE AND SHIPMENT

### 2-9. Environment

The instrument may be stored or shipped in environments within the following limits:

|              |                                   |
|--------------|-----------------------------------|
| Temperature: | -40°C to +75°C                    |
| Humidity:    | Up to 90% at 65°C                 |
| Altitude:    | Up to 15 300 metres (50 000 feet) |

The instrument should also be protected from temperature extremes which cause condensation within the instrument. Condensation within the instrument may cause malfunction if the instrument is operated under these conditions.



## 2-10. Packaging

**2-11. TAGGING FOR SERVICE.** If the instrument is to be shipped to a Hewlett-Packard office for service or repair, attach a tag showing owner (with address), complete instrument serial number, and a description of the service required.

**2-12. ORIGINAL PACKAGING.** If the original packing material is not available or is unserviceable, material identical to those used in factory packaging are available through Hewlett-Packard offices. If the instrument is to be shipped to a Hewlett-Packard office for servicing, attach a tag showing owner (with address), model number, complete instrument serial number, and a description of the service required. Mark the container FRAGILE to ensure careful handling. In any correspondence, refer to the instrument by model number and full serial number.

**2-13. OTHER PACKAGING.** The following general instructions should be used for repacking with commercially available materials.

- a. Wrap instrument in heavy paper or plastic.
- b. Use a strong shipping container. A double-wall carton made of 350 lb. test material is adequate.
- c. Use a layer of shock-absorbing material 70 to 100 mm (3 to 4 inch) thick around all sides of the instrument to provide firm cushioning and prevent movement inside container. Protect control panel with cardboard.
- d. Seal shipping container securely.
- e. Mark shipping container FRAGILE to ensure careful handling.
- f. In any correspondence, refer to instrument by model number and full serial number.



# SECTION III

## OPERATION

### 3-1. INTRODUCTION.

The operation of the 1630G is outside the scope of this service manual. However, a brief explanation of the operation of each key is given below. For more complete operating instructions refer to the Operators Manual.

- 1 BLUE KEY:** This key activates the blue SHIFT function assigned to each keyboard key. A momentary press activates the SHIFT function for the next keystroke. The SHIFT function continues if the key is kept depressed.
- 2 INPUT DISPLAYS:** Three keys that select menu sets. SYSTEM calls up menus that define instrument configuration, set up secondary configurations and outputs for peripherals, and control disk or tape operations (if connected and active). FORMAT has three menus that determine how data is collected and interpreted on the display. TRACE is a series of menus that specify the measurement mode and parameters for collecting data.
- 3 OUTPUT DISPLAYS:** Three keys that select a state display (LIST) timing display (WFORM), or performance overview chart (CHART).
- 4 LINE** turns on operating power.
- 5 RUN** initiates a new measurement. RESUME continues an incomplete measurement that was halted by the STOP key.
- 6 STOP** terminates a measurement. RETURN TO LOCAL overrides an HP-IB or HP-IL controller to return control of the 1630 to the keyboard.
- 7 PRINT** commands the current display to be printed on a graphics printer. PRINT ALL prints the entire contents of the displayed menu or list, including all on- and off-screen information.
- 8** Hex keyboard for data entry.
- 9 NEXT [] and PREV []** keys cycle through all the menu selections available for fields enclosed in brackets, [].
- 10 CHS** is used to change +/- signs when specifying memory locations in either direction from the trigger event, and when specifying polarities. CHS prints a dash when used in a text field.
- 11 DON'T CARE** enters an "X" in lieu of a number, to indicate "any value will serve".
- 12 CURSOR:** These keys move the cursor from field to field in the menus. The blue SHIFT function allows these keys to rearrange the order of labels in the menus, and to move the cursor from pod to pod in the label lines of the FORMAT [Assignment] menu. The CURSOR keys can also move the configuration bar in the SYSTEM [Configuration] menu, and the "x" and "o" markers on the waveform and chart displays.
- 13 ROLL** keys move timing displays left or right, state lists up or down, and the configuration bar in the SYSTEM [Configuration] menu.
- 14 INSERT/DELETE** are used to add or delete fields and labels.
- 15 CLEAR ENTRY:** This is the field eraser key. DEFAULT returns all fields in the displayed menu to power-up conditions.

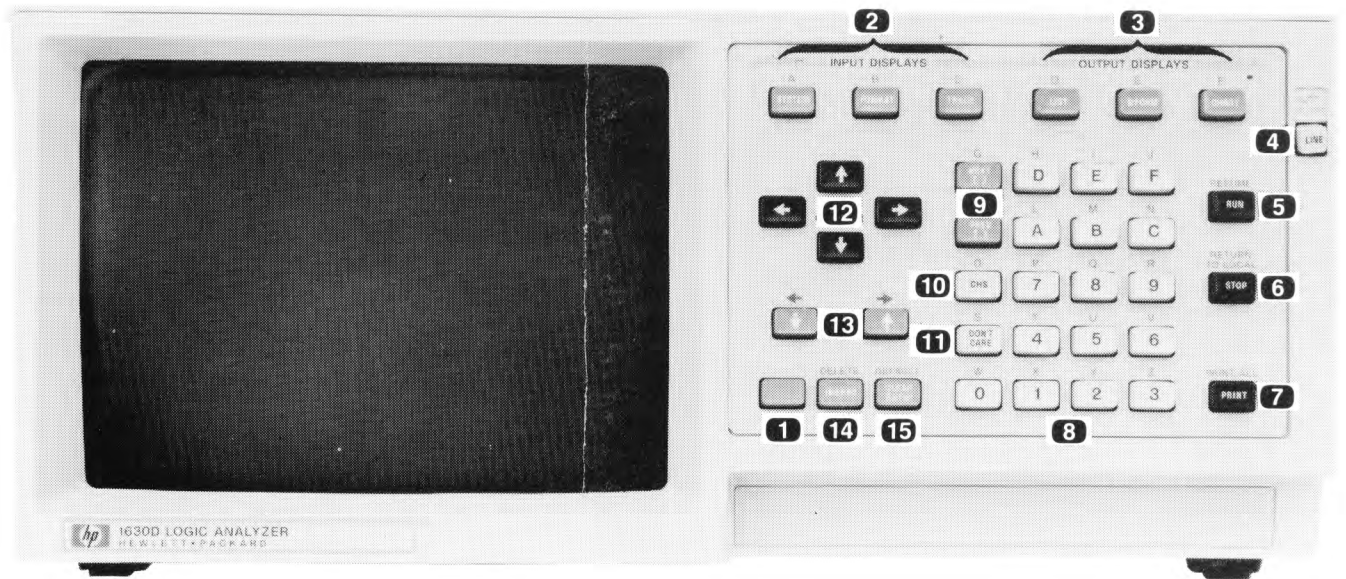


Figure 3-1. Front Panel Controls  
3-1

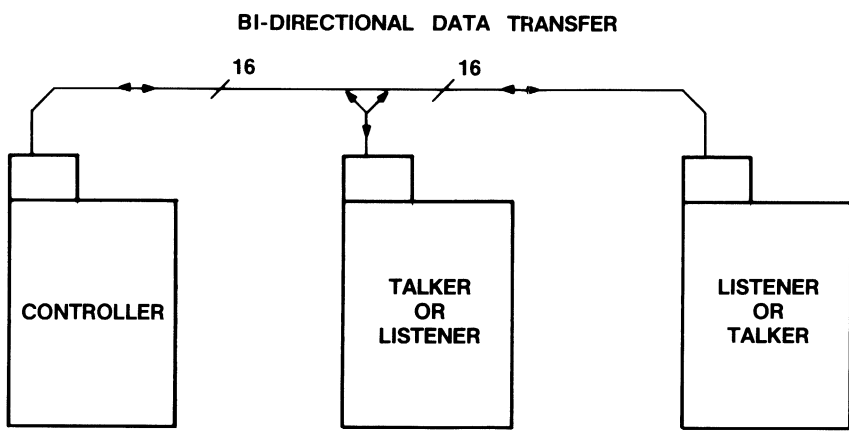


Figure 3-2. HP-IB System Configuration

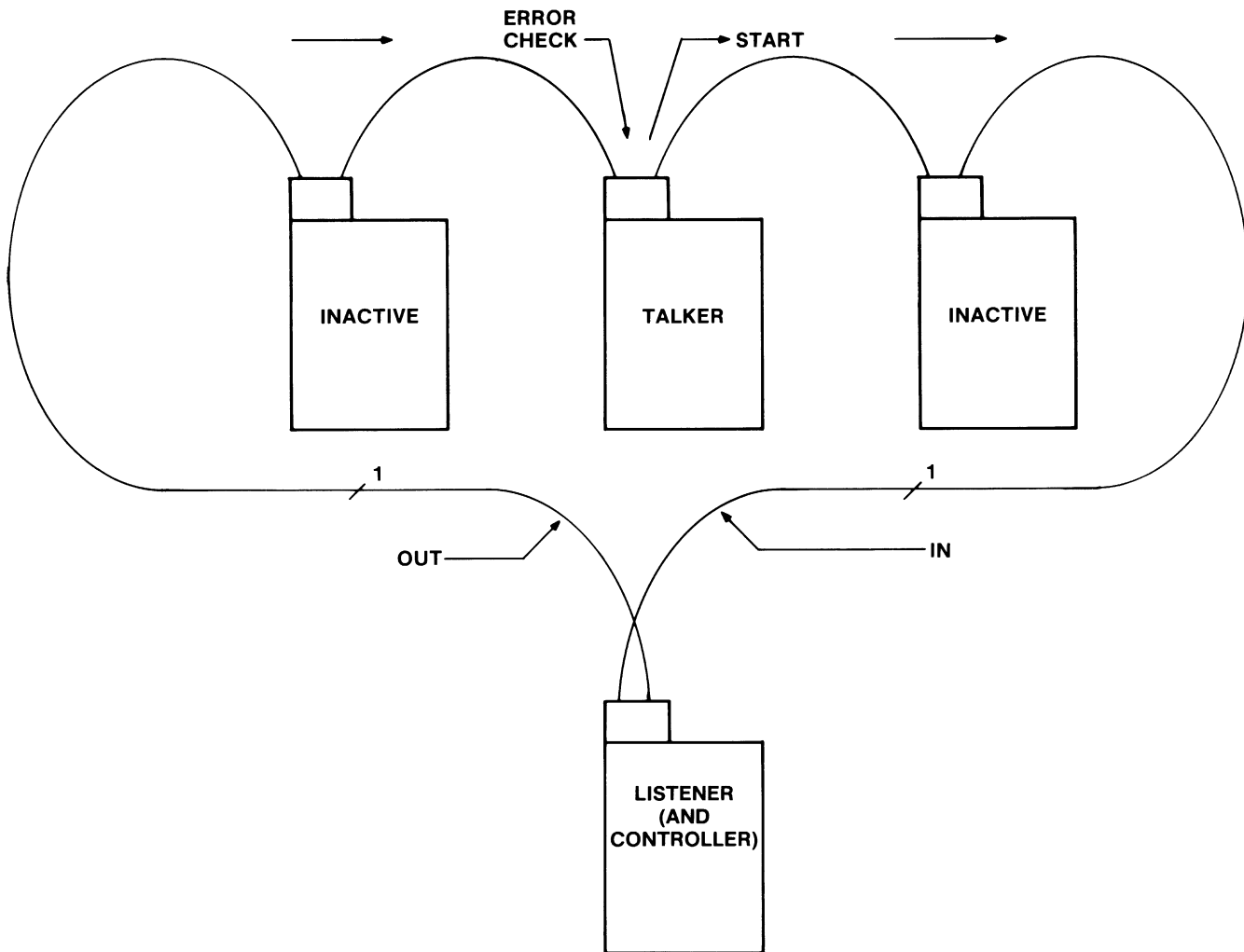


Figure 3-3. HP-IL System Configuration

## **SECTION IV PERFORMANCE TESTS**

### **4-1. INTRODUCTION**

This section will acquaint the user with the 1630A/D/G Self Tests (ST). ST is a series of tests, resident in ROM, that confirms correct operation of the mainframe hardware and firmware. The ST tests do not verify all of the critical input specifications given in table 1-1 of Section I. These tests check the basic functions of the system. For complete Performance testing, perform the Operation Verification Tests in Appendix A and the Parametric Verification Tests in the ET19776 Manual.

Note: The terms MPU or processor, and MMU will be used throughout this manual in reference to the Microprocessor Unit and the Memory Management Unit used on the CPU board.

### **4-2. EQUIPMENT REQUIRED**

Equipment required for the self tests is listed in table 1-3, Recommended Test Equipment, Section I.

### **4-3. SELF TEST FUNCTION VERIFICATION**

### **4-4. Initiating 1630A/D/G Self Test (ST)**

ST can be initiated by setting the rear panel Self Test switch into the "1" or open position and cycling power OFF/ON.

#### **NOTE**

The processor samples the setting of the system status switches ONLY during turn-on. Changing SW1 to "1" after turn-on will not initiate SELF TEST. Cycling the power OFF/ON will reset the switch status. After ST is executed, however, the ST switch may be set to a "0" allowing the System Specification menu to be displayed without cycling power.

After power is cycled OFF/ON and an initialization routine is executed, the ST routine will begin. The ST test sequence is as follows:

- a. RAM test.
- b. ROM test.
- c. Acquisition test.
- d. Internal Storage test (1630G only).
- e. HP-IB test (1630G only).

## **4-5. 1630A/D/G ST RAM Test Procedure**

### **PURPOSE:**

The RAM test verifies the MPU's and MMU's ability to read and write from all 64K RAM locations on the CPU board.

### **CIRCUITRY TESTED:**

RAM, MPU and MMU interaction, RAM refresh by the CRT controller, RAM strobe timing circuitry, and ROM selection and data transfer.

### **OPERATION:**

- a. Before the RAM test begins, an initialization routine is done for the CRT controller (CRTC). This initialization routine reads the rear panel switches, etc.
- b. The processor configures the memory management unit (MMU) to map a 2K (800H) block of RAM.
- c. The processor (MPU) writes a 01, 02, 03, .... 80, 00 hex pattern sequentially through each 2K block of RAM. The pattern used is derived by shifting-left the contents of the A accumulator.
- d. After all 64K of RAM is mapped, the processor sequentially reads back the contents of RAM. The value stored is compared to the present value of the A accumulator.
- e. If the value stored does not match the present value of the A accumulator, then an "Error in RAM" message is displayed.
- f. If after all 64K of RAM is tested and no compare error exists, then a ROM and Acquisition test is performed.

### **ERROR MESSAGE INTERPRETATION:**

If an "Error in RAM" message is displayed, check RAM inputs and outputs for bad signals. If this does not fix the problem, refer to the Guided Probe Troubleshooting Procedure in Appendix A of this manual.



## 4-6. 1630A/D/G ST ROM Test Procedure

### PURPOSE:

The ROM test verifies that all of the firmware is good. The test also checks that the processor (MPU) and memory management unit (MMU) can address and retrieve data from ROM.

### CIRCUITRY TESTED:

All ROMs, MPU and MMU interaction, ROM selection and data transfer, and RAM.

### OPERATION:

- a. Before the ROM test begins, the RAM test must have passed.
- b. The processor configures the MMU to map an 8K block of ROM.
- c. Information is read from ROM and a checksum routine is done for each ROM. The checksum for each ROM is compared to a stored checksum value of that ROM in ROM #7 (U4H).
- d. If the checksums do not match, then a "Error in ROM #X Expected XX Was XX" message is displayed.
- e. If all of the checksums match, then an Acquisition test is performed.

### ERROR MESSAGE INTERPRETATION:

If an "Error in ROM #X(0-7) Expected XX Was XX" message is displayed, it is interpreted as follows:

Error in ROM #X(0-7) - X indicates the faulty ROM number given as:

|              |              |
|--------------|--------------|
| U3K = ROM #0 | U4K = ROM #4 |
| U3J = ROM #1 | U4J = ROM #5 |
| U3I = ROM #2 | U4I = ROM #6 |
| U3H = ROM #3 | U4H = ROM #7 |

Expected XX - indicates the stored checksum value in ROM #X for that ROM (given in hex).

Was XX - indicates the checksum tabulated for that ROM during the test (given in hex).

If after replacing the suspect ROM, the failure still exists, refer to the Guided Probe Troubleshooting Procedure in Appendix A of this manual.

## 4-7. 1630A/D ST Acquisition Test Procedure

### PURPOSE:

This test verifies the processor's ability to configure the system to take a state measurement. It also verifies that all pod channels can sample data between -9.9 and +9.9 volts.

### CIRCUITRY TESTED:

This test checks the processor, system timing control, state and timing boards, and the probes.

### OPERATION:

- a. Both RAM and ROM tests must have passed before this test begins.
- b. The processor configures the system for a Trace Specification of <don't care start-on any state, trace all states>.
- c. System starts tracing with pods 4, 2, 0 thresholds set at +9.9 volts and pods 3 and 1 set at -9.9 volts. "0s" should be sampled on pods 4, 2, 0 and "1s" should be sampled on pods 3 and 1.
- d. 512 states are clocked in and sampled at this threshold pattern.
- e. A sample is taken for "measurement complete". It should be false.
- f. The pod threshold voltages are reversed, making the sample pattern of step (c) reversed.
- g. 511 states are clocked in and sampled at this threshold pattern.
- h. A sample is taken for "measurement complete". It should be false.
- i. The memory counter is sampled for words remaining; one should remain.
- j. The last word is clocked in, making the "measurement complete" status true. The trace is then halted.
- k. Any acquisition errors are summarized and the self test determines if a Timing Slave board is in the instrument. If a Timing Slave board is not in the system, errors are ignored for the Timing Slave channels.
- l. If no errors occurred "Self Test Passed Reset Rear Panel Switch to xxxx x0xx to continue" message should be displayed. When the switch is reset the System Specification menu should be displayed.
- m. If an error occurred, a "Acq Error XX XX XX XX XX XX XX" message will be displayed in hex. See the error message interpretation on the next page.

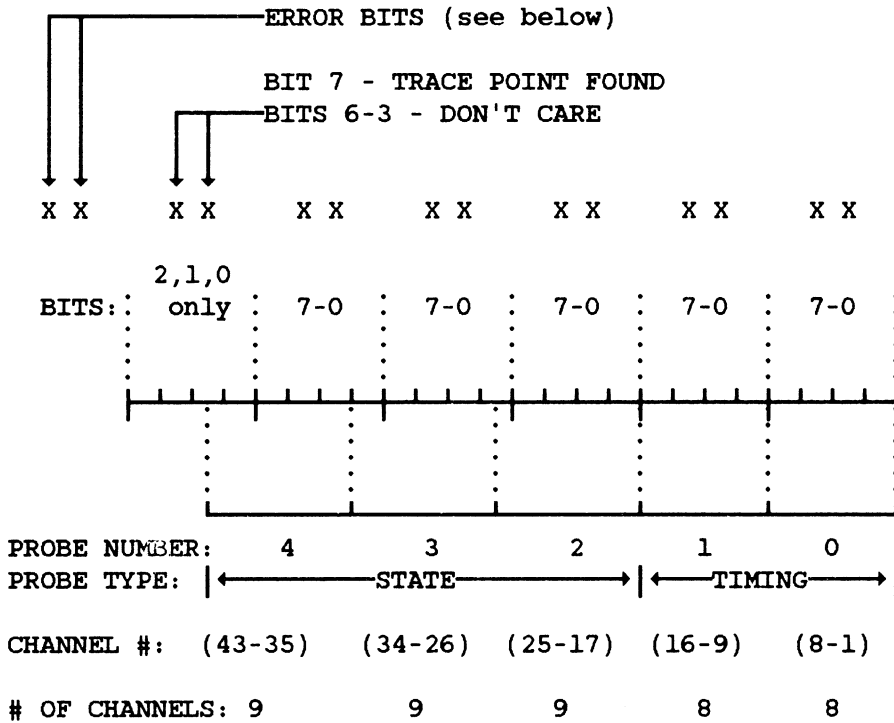
**1630A/D ERROR MESSAGE INTERPRETATION:**

The acquisition error (Acq Error) is a series of hex digits. The binary equivalent of these digits can be interpreted with the following table.

The series of XXs (in hex code) follows the phrase "Acq Error" on the 1630A/D display.

\*\*\*\*\*KEY\*\*\*\*\*

1 = Error (except Don't Cares)  
0 = No Error



POD 1 SPECIAL CASE: If a Slave Timing board is not in the instrument (1630A), the test will show channels 16-9 as passing.

- Bit 0 - Incorrect acquisition data acquired.
- Bit 1 - "Measurement Complete" true when it should be false.
- Bit 2 - "Measurement Complete" IRQ true when it should be false.
- Bit 3 - Words remaining. State Master board counter incorrect.
- Bit 4 - "Measurement complete" on State Master board false when it should be true.
- Bit 5 - "Measurement complete" false when it should be true, no "interrupt" received.
- Bit 6,7 - Don't Care Bits

**1630A/D ERROR MESSAGE INTERPRETATION (CONT):**

Two examples of an Acquisition error are given below:

Example 1:

"Acq Error 01 80 00 00 00 00 03"

- a. This example states that incorrect Acquisition data was acquired.  
Trace point was not found.
- b. All channels passed except Timing Master Channels 1 and 0.
- c.

Example 2:

"Acq Error 02 0F FF FF FF 00 FF"

- a. This example states that measurement complete was true when it should be false.
- b. Trace point was found.
- c. All Channels failed except the Timing Slave Channels. Note that if a Timing Slave board is not in the instrument (1630A) these channels will pass.

## 4-8. 1630G ST Acquisition Test Procedure

### PURPOSE:

This test verifies the processor's ability to configure the system to take a state measurement. It also verifies that all pod channels can sample data between -9.9 and +9.9 volts.

### CIRCUITRY TESTED:

This test checks the processor, system timing control, state and timing boards, and the probes.

### OPERATION:

- a. Both RAM and ROM tests must have passed before this test begins.
- b. The processor configures the system for a Trace Specification of <don't care start-on any state, trace all states>.
- c. System starts tracing with pods 7, 5, 3, and 1 thresholds set at +9.9 volts and pods 6, 4, and 2 set at -9.9 volts. "0s" should be sampled on pods 7, 5, 3, and 1 and "1s" should be sampled on pods 6, 4, and 2.
- d. 512 states are clocked in and sampled at this threshold pattern.
- e. A sample is taken for "measurement complete". It should be false.
- f. The pod threshold voltages are reversed, making the sample pattern of step (c) reversed.
- g. 511 states are clocked in and sampled at this threshold pattern.
- h. A sample is taken for "measurement complete". It should be false.
- i. The memory counter is sampled for words remaining; one should remain.
- j. The last word is clocked in, making the "measurement complete" status true. The trace is then halted.
- k. Any acquisition errors are summarized and the self test determines if a Timing Slave board is in the instrument. If a Timing Slave board is not in the system, errors are ignored for the Timing Slave channels.
- l. If no errors occurred "Self Test Passed Reset Rear Panel Switch to xxxx xOxx to continue" message should be displayed. When the switch is reset the System Specification menu should be displayed.
- m. If an error occurred, a "Acq Error XX XX XX XX XX XX XX XX XX" message will be displayed in hex. See the error message interpretation on the next page.

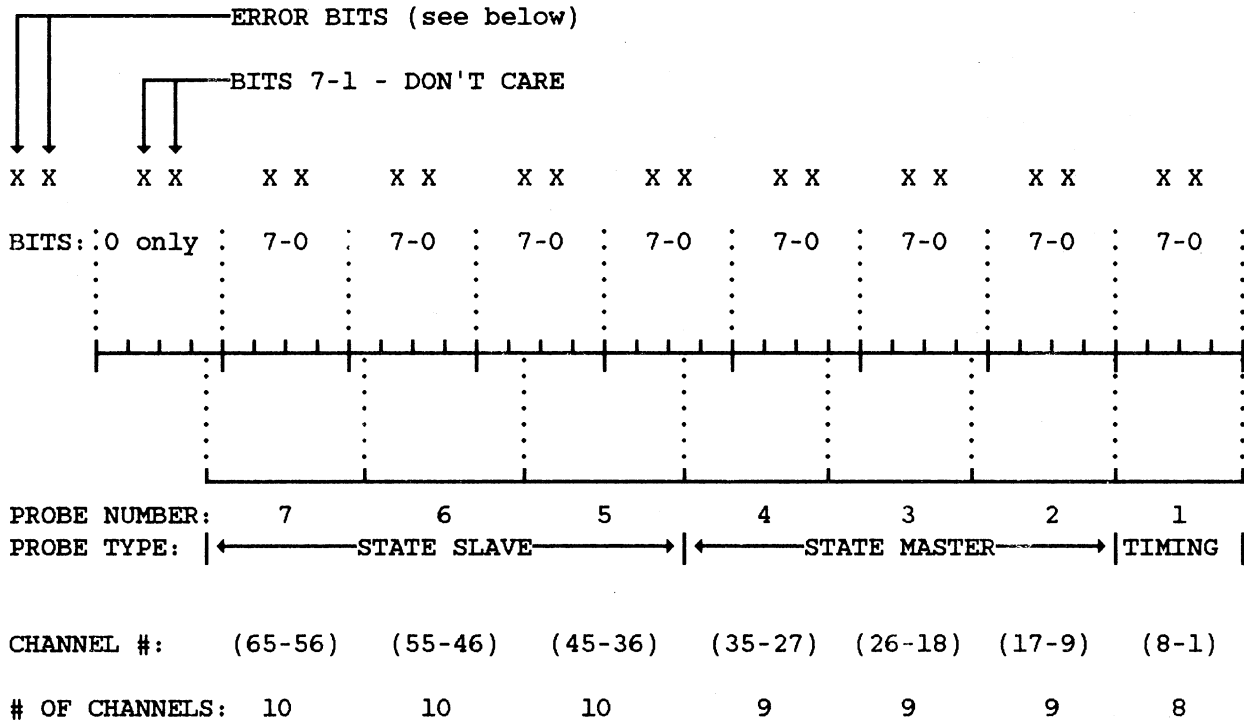
**1630G ERROR MESSAGE INTERPRETATION:**

The acquisition error (Acq Error) is a series of hex digits. The binary equivalent of these digits can be interpreted with the following table.

The series of XXs (in hex code) follows the phrase "Acq Error" on the 1630G display.

\*\*\*\*\*KEY\*\*\*\*\*

1 = Error (except Don't Cares)  
 0 = No Error



Bit 0 - Incorrect acquisition data acquired.

Bit 1 - "Measurement Complete" true when it should be false.

Bit 2 - "Measurement Complete" IRQ true when it should be false.

Bit 3 - Words remaining. State Master board counter incorrect.

Bit 4 - "Measurement complete" on State Master board false when it should be true.

Bit 5 - "Measurement complete" false when it should be true, no "interrupt" received.

Bit 6,7 - Don't Care Bits

**1630G ERROR MESSAGE INTERPRETATION (CONT):**

Two examples of an Acquisition error are given below:

**Example 1:**

"Acq Error 01 80 00 00 00 00 00 00 03"

- a. The "1" indicates that the measurement completed prematurely.
- b. The "8" indicates that the trace point was not found.
- c. All channels passed except Timing Master Channels 1 and 0.

**Example 2:**

"Acq Error 02 0F FF FF FF FF FF FF FF"

- a. The "2" indicates that the measurement complete was true when it should be false.
- b. Trace point was found.
- c. All Channels failed as indicated by the "F"s.

## **4-9. 1630G Internal Storage Test and Reset**

When an error is found in internal storage the following will be displayed on the screen:

"Internal checksum error"

It is necessary then for the 1630G to reset internal storage. This will be done automatically by the 1630G and the message "WAIT Resetting internal storage" will be displayed. If the reset has not been successful, the message "Reset failed, internal storage has failed" is displayed.

To manually reset internal storage, toggle switch 1 of the HP-IB address switch. The message "WAIT Resetting internal storage" will appear on-screen while the reset is taking place. When the reset has been completed successfully, the message "Internal storage reset successful" is displayed. If the reset has not been successful, the message "Reset failed, internal storage has failed" is displayed on-screen.

The analyzer may be used without the internal storage and the rest of the performance of the analyzer is not affected.



### 4-10. 1630A/D/G KEYBOARD TEST PROCEDURE

The Keyboard test is not part of the Self Test routine. Data must be loaded in from an external controller to run this test.

- a. Refer to the 1630A/D PROGRAM TAPE LOADING PROCEDURE in Appendix A.
- b. Check that the 1630 under test is in the System Specification menu.
- c. Press the < KEYBRD > softkey. The 1630A/D display should display the keyboard pattern shown in figure 4-1.
- d. Press the keyboard switches shown on the display; the key pressed will erase from the screen as it is pressed if the board is working correctly.

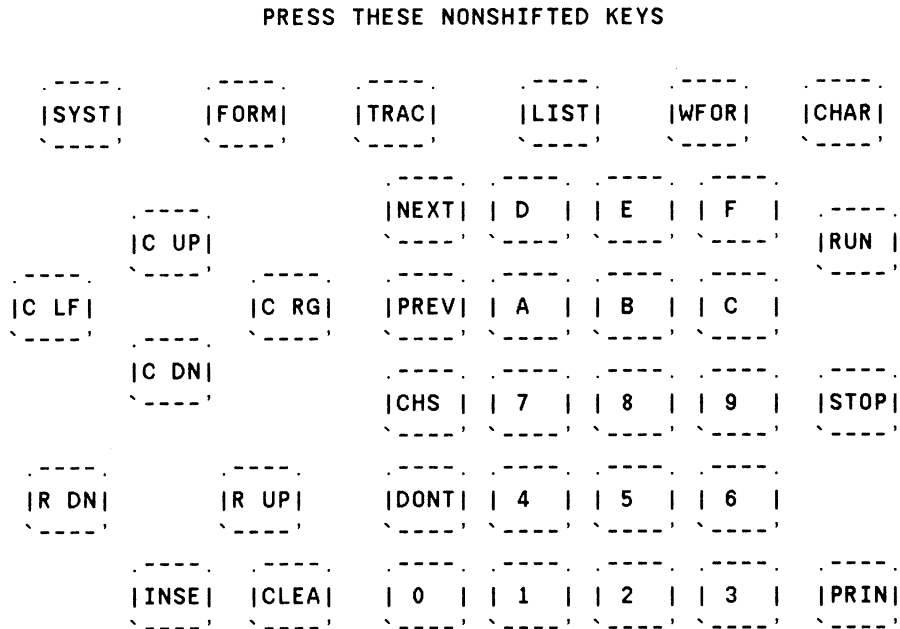


Figure 4-1. Keyboard Test Pattern

- b. When all the keys have been pressed, the display will change to look like figure 4-2. While holding down the blue key, press each of the indicated keys.

PRESS THESE SHIFTED KEYS

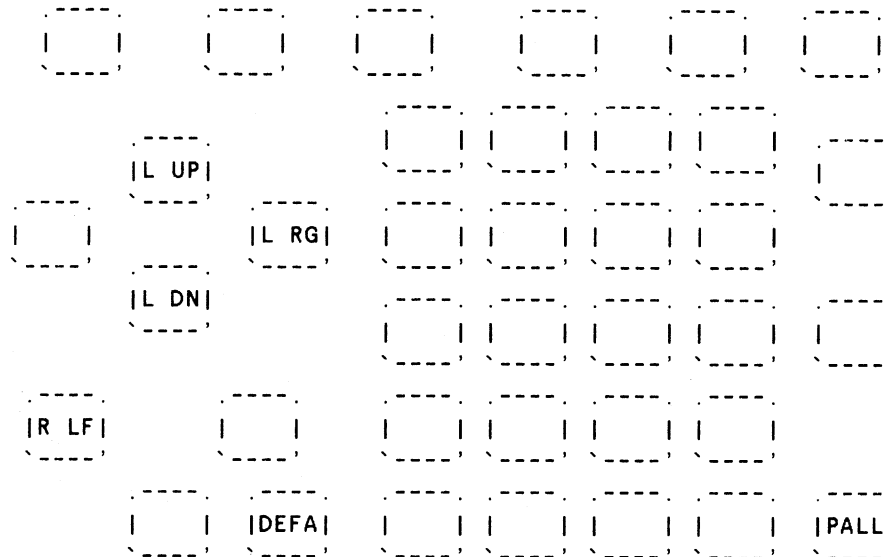


Figure 4-2. Keyboard Test Pattern Part 2

- c. When all of the keys have been successfully pressed, the display will indicate "KEYBOARD TEST PASSED". Then, after a short pause the 1630A/D/G display will return to the System Specification menu.
- d. If a key is bad it will not be erased from the display. Cycle power to abort the test if a key fails.

# SECTION V ADJUSTMENTS

## 5-1. INTRODUCTION

This section contains adjustment procedures for the power supply, display driver, and the Timing Master board. Perform the adjustment procedure only after instrument repairs. The adjustments can be made separately. The adjustment procedures used apply to all instruments.

Board removal procedures, necessary before installing boards into the service connector, can be found in Section VIII. An auxiliary fan must be used to cool boards being run in the service connector.

### WARNING

Read the safety summary at the front of this manual before performing adjustment procedures.

### CAUTION

The adjustments are performed with the top and side covers removed. Use care to avoid shorting or damaging internal parts of the instrument.

## 5-2. EQUIPMENT REQUIRED

A list of recommended test equipment is provided in Section I, table 1-3.

## 5-3. POWER SUPPLY ADJUSTMENT

- a. Turn OFF 1630A/D/G and remove power cord.
- b. Remove the two plastic standoffs and loosen the screw that secures the top cover. Remove cover.
- c. Connect an external DVM to measure volts between GND and -5.2V on test connector TP2 (bottom-left of board).
- d. Plug in power cord and turn ON the 1630A/D/G.
- e. Adjust trimpot R34 (labelled VOLT ADJ) until the measured value of -5.2V reads between -5.0 and -5.4 volts. Measure the +5.0V supply; it should be between +4.8 and +5.2 volts.
- f. Adjustment complete. Replace covers.

## 5-4. CPU ADJUSTMENT

- a. Refer to the CPU Board Removal procedure in Section VIII and perform the removal procedure.
- b. With power OFF, install the CPU board into the upright Service connector J1.
- c. Connect the cables from the keyboard and display driver.
- d. Place the instrument's top cover over the exposed power supply to prevent tools from dropping onto the power supply, and to maintain proper air flow.
- e. Connect a DVM to one of the following locations depending on the CPU board under test:  
  
01630-66503 CPU board: U100 pin 6 and GND on U100 pin 4.  
  
01630-66512 CPU board: TP4 "+5V REF" and TP GND on the CPU test connector (and later CPUs) located at the top-left of the board.
- f. Turn ON the 1630A/D/G.
- g. Adjust trimpot R37 (located at the bottom-right) until the voltage at TP4 reads +5.00 volts +/- 5 mV.
- h. Adjustment complete. Replace board and covers.

## 5-5. DISPLAY SYSTEM ADJUSTMENTS

This adjustment procedure is in two parts; yoke and display driver. The Yoke Adjustment Procedure must be performed if any part of the Display System is replaced (CRT, display driver, or yoke) or if a display cannot be aligned on the CRT screen. If the Yoke Adjustment Procedure is performed then the Display Driver Adjustment Procedure must also be done; if not, then the latter may be done alone. It is good practice to discharge the CRT before beginning.

### YOKE ADJUSTMENT PROCEDURE

- a. Turn OFF 1630A/D/G.
- b. Remove the two plastic standoffs and loosen the screw that secures the top cover to the frame. Remove cover.
- c. Remove the two screws that attach the handle and the side cover to the frame. Remove cover.
- d. Remove the two yoke connectors.
- e. Insure that the yoke is firmly pressed against the flange of the CRT. If not, loosen the yoke neck screw that attaches the yoke to the CRT and slide the yoke against the CRT. Gently tighten the screw until firm.
- f. While holding a flexible straight edge from the lower-left corner to the upper-right corner of the CRT (facing the CRT), make a mark about one inch long with a water soluble felt pen across the center of the CRT. See figure 5-1.
- g. Repeat the above step for the upper-left corner and the lower-right corner forming an "X" in the center of the CRT. See figure 5-1.
- h. Adjust BRIGHTNESS control pot to minimum (full counter-clockwise). See figure 5-2 for the display adjustment locations.
- i. Turn ON the 1630A/D/G.
- j. Adjust BRIGHTNESS control pot until a dot appears on the CRT.
- k. The dot should appear within a .3 cm (1/8 inch) radius of the intersection of the two lines. If this does not occur, align the dot using the centering rings on the yoke. See figure 5-1.
- l. Turn OFF the 1630A/D/G and clean the CRT screen with mild soap and water.
- m. Reconnect the two yoke connectors from the display driver.
- n. Perform the Display Driver Adjustment Procedure.

## DISPLAY DRIVER ADJUSTMENT PROCEDURE

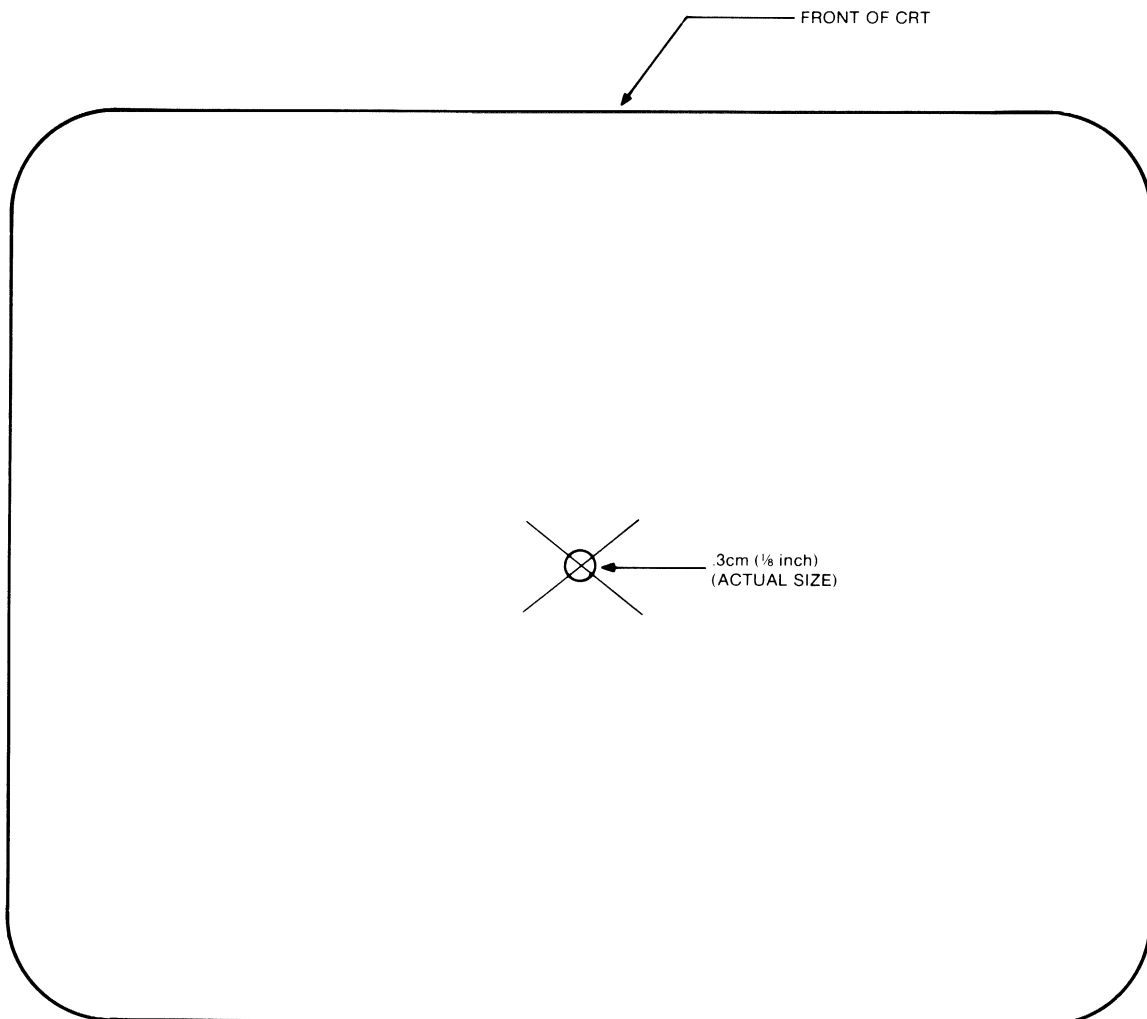
- a. Turn OFF the 1630A/D/G.
- b. Remove the two plastic standoffs and loosen the screw that secures the top cover to the frame. Remove cover.
- c. Remove the two screws that attach the handle and the side cover to the frame. Remove cover.
- d. Refer to the 1630A/D/G PROGRAM TAPE LOADING PROCEDURE in Appendix A at the back of this manual.
- e. Activate the Display Test Pattern as shown in figure 5-3 by pressing the < DISPLAY > softkey on the HP85.
- f. Adjust the BRIGHTNESS control pot until the Display Test Pattern is visible. See figure 5-2 for the display adjustment locations.
- g. Adjust the HEIGHT and VERT PHASE (position) until the Test Pattern fills the screen vertically. See figure 5-3.
- h. Adjust HORIZ LINEARITY until the width of each square is the same.
- i. Adjust HORIZ WIDTH until the total picture width is the same as the width of the outer boundary marks given in figure 5-3. Note that the outer edges of the display may NOT align with the outer boundary marks.

### NOTE

The adjustments in steps (h) and (i) interact. Therefore reiteration of these two steps may be necessary for best results.

- j. Now adjust the horizontal position by rotating the centering rings on the yoke. Adjust the rings for horizontal movement while minimizing the vertical movement of the display. The left and right edges should NOW align with outer boundary marks described in the previous step.
- k. Adjust VERT PHASE to vertically align the Test Pattern. This should only require minor adjustments. See figure 5-3 for this measurement.
- l. Set the CRT intensity in the "INTENSITY ADJUST AREA" of the test pattern to a comfortable level. However, if a photometer is available adjust the BRIGHTNESS control until the reading is 20 +/- 1 foot Lamberts.
- m. Adjust FOCUS control to achieve the best display in the area of the test pattern labeled "FOCUS AREA".

- n. Verify that the area of the test pattern labeled "BLINKING CURSOR" does contain a blinking rectangular cursor flashing several times per second. If there are two different video levels but no flashing, the CPU board is defective. If there is no difference in video levels, the display board is defective. Refer to the CPU, Keyboard and Display Service Group 8B for troubleshooting information.
- o. The HOR HOLD adjustment has been pre-adjusted by the manufacturer and should not need to be changed.



*Figure 5-1. Yoke Centering Adjustment*

Display Driver Board

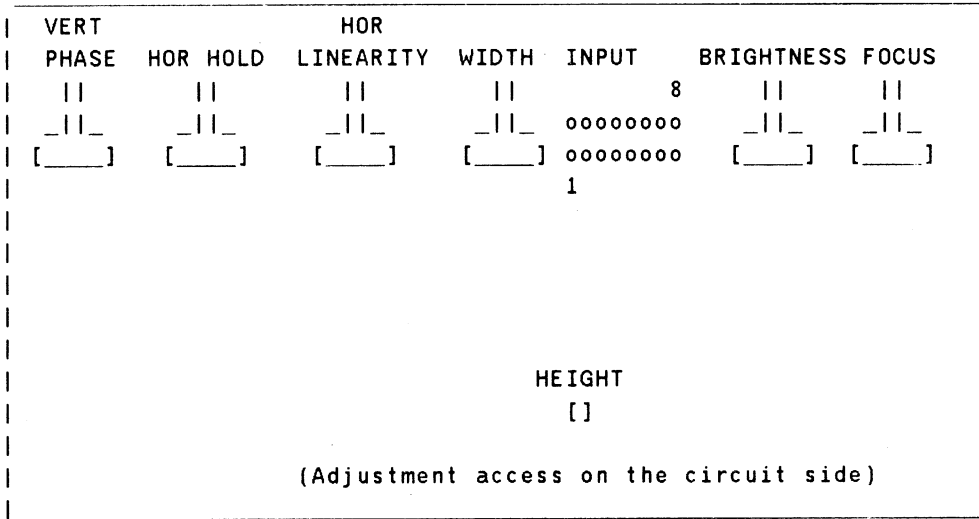


Figure 5-2. Display Adjustment Locations

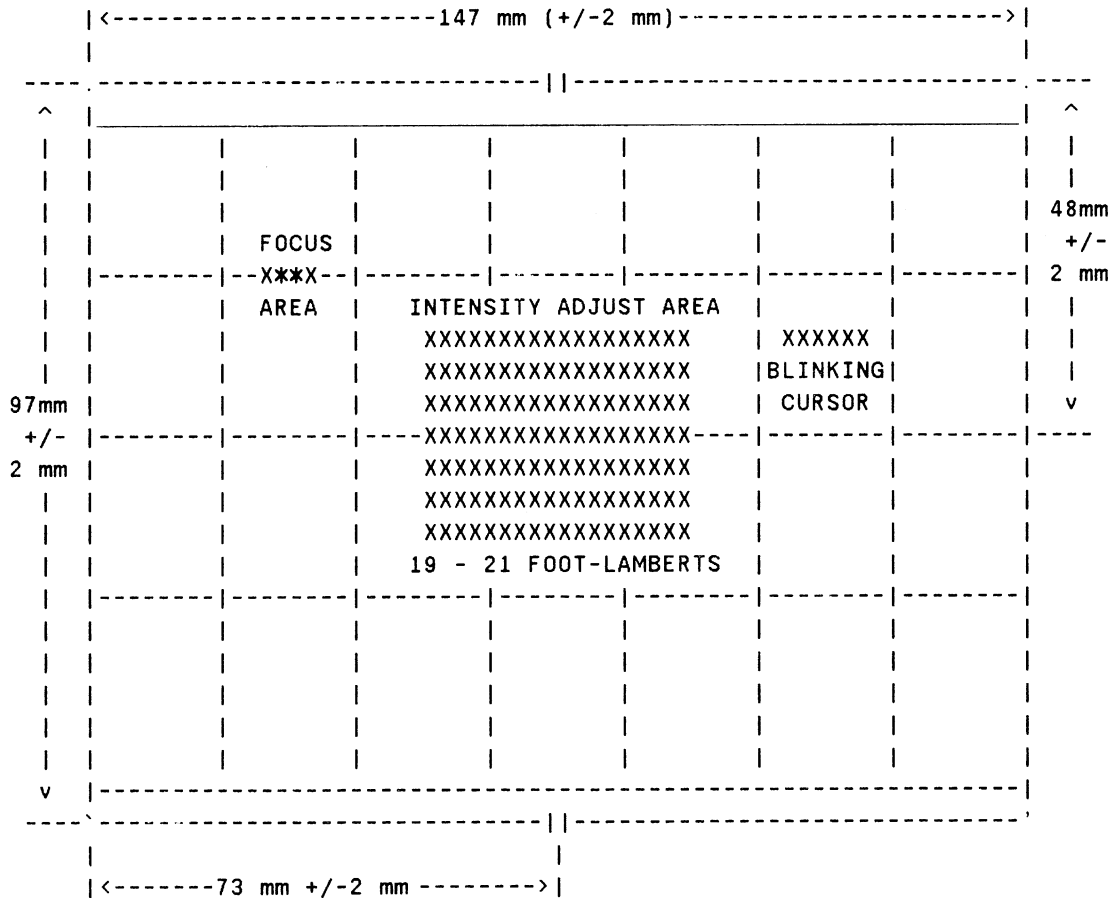


Figure 5-3. Display Test Pattern



## 5-6. TIMING MASTER ADJUSTMENT (200 MHz OSCILLATOR)

### NOTE

A portable fan must be used to maintain airflow across the macrocells.

- a. Refer to the Acquisition Board Removal procedure in Section VIII and perform the removal procedure for the Timing Master board.
- b. With the power OFF, install the Timing Master board into the upright Service connector J1. A probe doesn't need to be connected.
- c. Connect Channel A of the oscilloscope to TP1 on the Timing Master board (located at the left-middle of the board) and adjust the scope as follows:

Set Volts/div to .01 V/div AC coupled.  
Set MAIN Time Base to .01  $\mu$ S/div. MAG X10.  
Set TRIGGER to Channel A.  
Set DISPLAY to ALT.  
Use MAIN triggering.

- d. Turn ON 1630A/D/G and check for the presence of a 200 MHz signal (+ or - .01% tolerance) at TP1.
- e. If the 200 MHz signal doesn't exist, adjust trimcap C26 until a 200 MHz signal appears.
- f. Continue adjusting trimcap C26 until the 200 MHz oscillation shows maximum amplitude.
- g. Discontinue the oscillations by touching a screwdriver to the collector of the high-frequency transistor Q1. Remove the screwdriver and verify that the oscillator locks again to 200 MHz.
- h. If the oscillations do not re-occur after being discontinued, adjust C26 until the oscillations begin again. Leave C26 at this setting and repeat step (g).
- i. Adjustment complete. Replace board and covers.

## 5-7. STATE MASTER BOARD ADJUSTMENT

- a. Refer to the Acquisition Board Removal procedure in Section VIII and perform the removal procedure for the State Master board.
- b. With the power OFF, install the State Master board in the upright Service connector J1.
- c. DO NOT connect any state probes to the board. The Timing Master board must be installed.

## 5-8. 1726A Scope Setup

The scope probes must be calibrated at the beginning of each calibration session to eliminate timing errors due to different electrical lengths in the scope probes.

- a. Connect both A and B channels of the HP 1726 scope to the front panel CAL signal on the scope.
- b. Select ALTERNATE display mode. Position both A and B grounds to the uppermost graticule line.
- c. Set scope controls to the following:

VOLTS/DIV: 0.5 V/div for both channels, DC COUPLED.

Select DELAYED Time Base.

Set DLYD Time Base to .01 uS/div.

Set MAIN Time Base to .1 uS/div.

Turn Time Interval START knob fully CCW.

Set TRIGGER to Channel A.

- d. Adjust the Time Interval STOP knob until the delay between channels is ZERO on the scope digital readout. Adjust the Time Interval START knob if necessary. Two waveforms will appear on the scope display.
- e. Use a small screwdriver to adjust the SIGNAL OVERLAP calibration trimmer so that the signal waveforms overlap directly.
- f. The HP 1726A oscilloscope is calibrated when the digital readout displays ZERO Delta-T and the two scope waveforms directly overlap.

## 5-9. Width Adjustment

- a. Connect Channel A of the 1726A to TP1 on the State Master board. Connect Channel B to TP2 on the State Master board.
- b. Refer to the 1630A/D PROGRAM TAPE LOADING PROCEDURE in Appendix A of this manual. Press the < strobe > softkey on the HP85.
- c. Set the scope controls to the following:

VOLTS/DIV: .05 V/div, DC coupling.  
 DISPLAY: Channel B.  
 TRIGGER: Channel B, rising edge.  
 Set DLYD Time Base to 10 nS/div.  
 Set MAIN Time Base to 20 nS/div.  
 Delta Time Trigger: Overlap Mode, START LVL=STOP LVL.  
 Time Interval Start: Rising Edge, knob fully CCW.  
 Time Interval Stop: Falling edge.  
 Switch Delta-T ON.  
 Switch Fast Mode ON.

- d. Set both ground lines on the scope to 2.6 divisions above the center line of the display. With this setup, -1.30 volts is at the center line of the display.
- e. Adjust the trigger level until a complete pulse appears on the scope.
- f. Adjust the Time Interval Stop knob until the LED display reads 17.00 ns +/- 50 ps.
- g. Select Delayed Trigger. The scope CRT should show two pulses overlapping on one edge.
- h. Press MAG X10. If necessary, the Horizontal Position knob can be adjusted to center the crossing point of the signals on the scope display.
- i. Adjust trimpot R4 (TOP of the two trimpots located on the right-middle side of the board) so that the crossing point of the two scope traces is at -1.3V (center line of the CRT).
- h. This portion of the State Master board is calibrated when the pulse width is 17.0 ns at -1.30V.

## 5-10 Delay Adjustment

- a. Connect Channel A of the HP1726A to TP1 on the State Master board. Connect Channel B to TP2 on the State Master board.
- b. Set the scope controls to the following:
  - Set Volts/div to .05, Coupling to DC.
  - Set DISPLAY to ALT.
  - Set TRIGGER to Channel A, rising edge.
  - Set DLYD Time Base to 10 nS/div.
  - Set MAIN Time Base to 20 nS/div.
  - Delta Time Trigger: Overlap Mode, START LVL=STOP LVL.
  - Time Interval Start: Rising Edge, knob fully CCW.
  - Time Interval Stop: Falling edge.
  - Switch Delta-T ON.
  - Switch Fast Mode ON.
- c. Set both ground lines on the scope to 2.6 divisions above the center line of the display. With this setup, -1.30 volts is at the center line of the display.
- e. Adjust the trigger level until two complete pulses appear on the scope.
- f. Adjust the Time Interval Stop knob until the LED display reads 36.00 ns +/- 50 ps.
- g. Select Delayed Trigger. The scope CRT should show two pulses overlapping on one edge.
- h. Press MAG X10. If necessary, the Horizontal Position knob can be adjusted to center the crossing point of the signals on the scope display.
- i. Adjust trimpot R5 (BOTTOM of the two trimpots located on the right-middle side of the board) so that the crossing point of the two scope traces is at -1.3V (center line of the CRT).
- h. This portion of the State Master board is calibrated when the time between the rising edge of TP1 and the falling edge of TP2 is 36.0 ns at -1.30V.

## 5-11 STATE SLAVE BOARD ADJUSTMENT

- a. Refer to the State Slave Board Removal procedure in Section VIII and perform the removal procedure.
- b. With power OFF, install the State Slave board into the upright Service connector J1.
- c. Place the instrument's top cover over the exposed power supply to prevent tools from dropping onto the power supply, and to maintain proper air flow.
- d. Connect a DVM to TP1 and TPGND on the State Slave board under test.
- e. Turn ON the 1630A/D/G.
- f. Adjust trimpot R4 until the voltage at TP1 reads +5.00 volts +/- 5 mV.
- g. Adjustment complete. Replace board and covers.



# SECTION VI

## REPLACEABLE PARTS

### 6-1. INTRODUCTION

This section contains information for ordering parts. Table 6-1 lists the abbreviations used in the parts list and throughout this manual. Figure 6-1 shows the locations of the mainframe mechanical parts (MP). Table 6-2 lists all replaceable parts for the 1630A/D/G. Table 6-3 contains the names and addresses that correspond to the manufacturers' code numbers.

### 6-2. ABBREVIATIONS

Table 6-1 lists abbreviations used in the parts list, the schematics, and elsewhere in this manual. In some cases two forms of the abbreviation are used, one all in capital letters, and one partial or no capitals. This occurs because the abbreviations in the parts list are always all capitals. However, in the schematics and other parts of the manual, other abbreviation forms may be used with both lowercase and uppercase letters.

### 6-3. PARTS LIST

Table 6-2 is a list of replaceable parts and is organized as follows:

- a. Mainframe parts are listed first, by reference designator.
- b. Following that, individual assemblies are listed, again in reference designator order, with the components of each assembly listed in reference designator order.
- c. If an assembly has more than one part number because it has been changed, all part numbers for that assembly are listed within the assembly group, in part number order. Individual part information distinguishing an assembly part number is given with it, in reference designator order.

The information given for each part consists of the following:

- a. Hewlett-Packard part number and the check digit (for HP internal use).
- b. Total quantity (Qty) on each assembly.
- c. Description of the part.
- d. A typical manufacturer of a given part in a five digit code. Refer to table 6-3 for a code to manufacturer breakdown.
- e. The manufacturer's number for the part.

The total quantity for each part is given only once, at the first appearance of the part number in the list.

## **6-4. ORDERING INFORMATION**

To order a part listed in the replaceable parts list, quote the Hewlett-Packard part number and check digit, indicate the quantity required, and address the order to the nearest Hewlett-Packard Sales/Service Office.

To order a part that is not listed in the replaceable parts table, include the instrument serial number, the description and function of the part, and the number of parts required. Address the order to the nearest Hewlett-Packard Sales/Service Office.

## **6-5. DIRECT MAIL ORDER SYSTEM**

Within the USA, Hewlett-Packard can supply parts through a direct mail order system. Advantages of using this system are as follows:

- a. Direct ordering and shipment from the HP Parts Center in Mountain View, California.
- b. No maximum or minimum on any mail order (there is a minimum order amount for parts ordered through a local HP office when the orders require billing and invoicing).
- c. Prepaid transportation (there is a small handling charge for each order).
- d. No invoices - to provide these advantages, a check or money order must accompany each order.

Mail-order forms and specific ordering information are available through your local HP office. Addresses and phone numbers are located at the back of this manual.



Table 6-1. Reference Designators and Abbreviations

| REFERENCE DESIGNATORS |                               |                |                            |               |   |
|-----------------------|-------------------------------|----------------|----------------------------|---------------|---|
| <b>A</b>              | = assembly                    | <b>F</b>       | = fuse                     | <b>MP</b>     | = mechanical part                                       |
| <b>B</b>              | = motor                       | <b>FL</b>      | = filter                   | <b>P</b>      | = plug  |
| <b>BT</b>             | = battery                     | <b>IC</b>      | = integrated circuit       | <b>Q</b>      | = transistor  |
| <b>C</b>              | = capacitor                   | <b>J</b>       | = jack                     | <b>R</b>      | = resistor  |
| <b>CP</b>             | = coupler                     | <b>K</b>       | = relay                    | <b>RT</b>     | = thermistor  |
| <b>CR</b>             | = diode                       | <b>L</b>       | = inductor                 | <b>S</b>      | = switch  |
| <b>DL</b>             | = delay line                  | <b>LS</b>      | = loud speaker             | <b>T</b>      | = transformer   |
| <b>DS</b>             | = device signaling (lamp)     | <b>M</b>       | = meter                    | <b>TB</b>     | = terminal board  |
| <b>E</b>              | = misc electronic part        | <b>MK</b>      | = microphone               | <b>TP</b>     | = test point  |
|                       |                               |                |                            | <b>U</b>      | = integrated circuit                                    |
|                       |                               |                |                            | <b>V</b>      | = vacuum, tube, neon bulb, photocell, etc               |
|                       |                               |                |                            | <b>VR</b>     | = voltage regulator                                     |
|                       |                               |                |                            | <b>W</b>      | = cable   |
|                       |                               |                |                            | <b>X</b>      | = socket  |
|                       |                               |                |                            | <b>Y</b>      | = crystal   |
|                       |                               |                |                            | <b>Z</b>      | = tuned cavity network                                  |
| ABBREVIATIONS         |                               |                |                            |               |   |
| <b>A</b>              | = amperes                     | <b>H</b>       | = henries                  | <b>N/O</b>    | = normally open   |
| <b>AFC</b>            | = automatic frequency control | <b>HDW</b>     | = hardware                 | <b>NOM</b>    | = nominal   |
| <b>AMPL</b>           | = amplifier                   | <b>HEX</b>     | = hexagonal                | <b>NPO</b>    | = negative positive zero (zero temperature coefficient) |
| <b>BFO</b>            | = beat frequency oscillator   | <b>HG</b>      | = mercury                  | <b>NPN</b>    | = negative-positive-negative                            |
| <b>BE CU</b>          | = beryllium copper            | <b>HR</b>      | = hours                    | <b>NRFR</b>   | = not recommended for field replacement                 |
| <b>BH</b>             | = binder head                 | <b>HZ</b>      | = hertz                    | <b>NSR</b>    | = not separately replaceable                            |
| <b>BP</b>             | = bandpass                    |                |                            | <b>OBD</b>    | = order by description                                  |
| <b>BRS</b>            | = brass                       | <b>IF</b>      | = intermediate freq        | <b>OH</b>     | = oval head   |
| <b>BWO</b>            | = backward wave oscillator    | <b>IMPG</b>    | = impregnated              | <b>OX</b>     | = oxide   |
|                       |                               | <b>INCD</b>    | = incandescent             |               |   |
| <b>CCW</b>            | = counter-clockwise           | <b>INCL</b>    | = include(s)               | <b>P</b>      | = peak  |
| <b>CER</b>            | = ceramic                     | <b>INS</b>     | = insulation(led)          | <b>PC</b>     | = printed circuit                                       |
| <b>CMO</b>            | = cabinet mount only          | <b>INT</b>     | = internal                 | <b>PF</b>     | = picofarads= 10 <sup>-12</sup> farads                  |
| <b>COEF</b>           | = coefficient                 | <b>K</b>       | = kilo=1000                | <b>PH BRZ</b> | = phosphor bronze                                       |
| <b>COM</b>            | = common                      |                |                            | <b>PHL</b>    | = phillips  |
| <b>COMP</b>           | = composition                 | <b>LH</b>      | = left hand                | <b>PIV</b>    | = peak inverse voltage                                  |
| <b>COMPL</b>          | = complete                    | <b>LIN</b>     | = linear taper             | <b>PNP</b>    | = positive-negative-positive                            |
| <b>CONN</b>           | = connector                   | <b>LK WASH</b> | = lock washer              | <b>P/O</b>    | = part of   |
| <b>CP</b>             | = cadmium plate               | <b>LOG</b>     | = logarithmic taper        | <b>POLY</b>   | = polystyrene   |
| <b>CRT</b>            | = cathode-ray tube            | <b>LPF</b>     | = low pass filter          | <b>PORC</b>   | = porcelain   |
| <b>CW</b>             | = clockwise                   |                |                            | <b>POS</b>    | = position(s)   |
|                       |                               | <b>M</b>       | = milli=10 <sup>-3</sup>   | <b>POT</b>    | = potentiometer   |
| <b>DEPC</b>           | = deposited carbon            | <b>MEG</b>     | = meg=10 <sup>6</sup>      | <b>PP</b>     | = peak-to-peak  |
| <b>DR</b>             | = drive                       | <b>MET FLM</b> | = metal film               | <b>PT</b>     | = point   |
| <b>ELECT</b>          | = electrolytic                | <b>MET OX</b>  | = metallic oxide           | <b>PWV</b>    | = peak working voltage                                  |
| <b>ENCAP</b>          | = encapsulated                | <b>MFR</b>     | = manufacturer             | <b>RECT</b>   | = rectifier   |
| <b>EXT</b>            | = external                    | <b>MHZ</b>     | = mega hertz               | <b>RF</b>     | = radio frequency                                       |
|                       |                               | <b>MINAT</b>   | = miniature                | <b>RH</b>     | = round head or right hand                              |
| <b>F</b>              | = farads                      | <b>MOM</b>     | = momentary                |               |   |
| <b>FH</b>             | = flat head                   | <b>MOS</b>     | = metal oxide substrate    | <b>U</b>      | = micro=10 <sup>-6</sup>                                |
| <b>FIL H</b>          | = fillister head              | <b>MTG</b>     | = mounting                 | <b>VAR</b>    | = variable  |
| <b>FXD</b>            | = fixed                       | <b>MY</b>      | = "mylar"                  | <b>VDCW</b>   | = dc working volts                                      |
|                       |                               | <b>N</b>       | = nano (10 <sup>-9</sup> ) | <b>W/</b>     | = with  |
| <b>G</b>              | = giga (10 <sup>9</sup> )     | <b>N/C</b>     | = normally closed          | <b>W</b>      | = watts   |
| <b>GE</b>             | = germanium                   | <b>NE</b>      | = neon                     | <b>WIV</b>    | = working inverse voltage                               |
| <b>GL</b>             | = glass                       | <b>NI PL</b>   | = nickel plate             | <b>WW</b>     | = wirewound   |
| <b>GRD</b>            | = grounded                    |                |                            | <b>W/O</b>    | = without   |



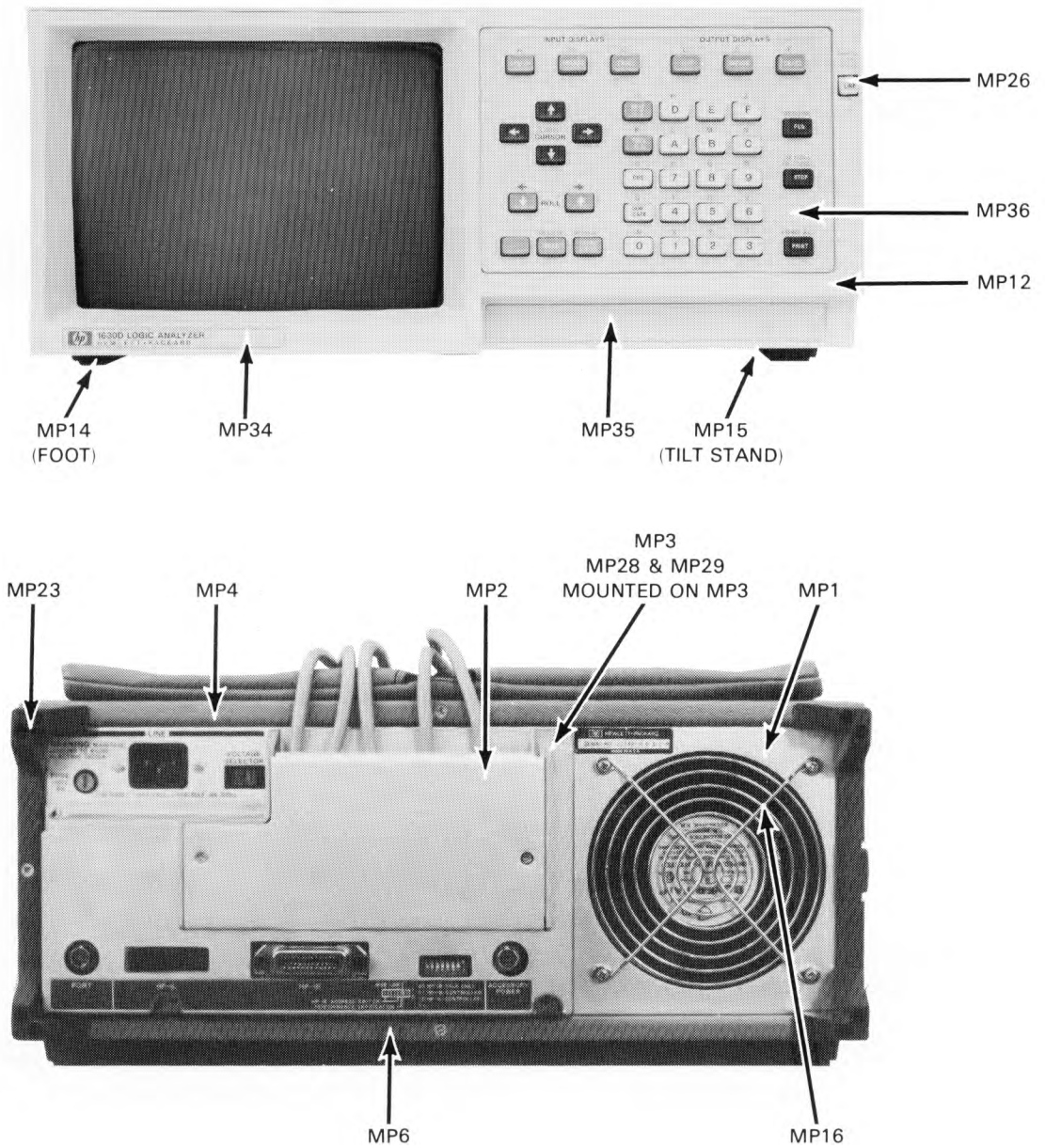


Figure 6-1. Mainframe Mechanical Parts Locations (sheet 1 of 4)

Model 1630A/D/G – Replaceable Parts

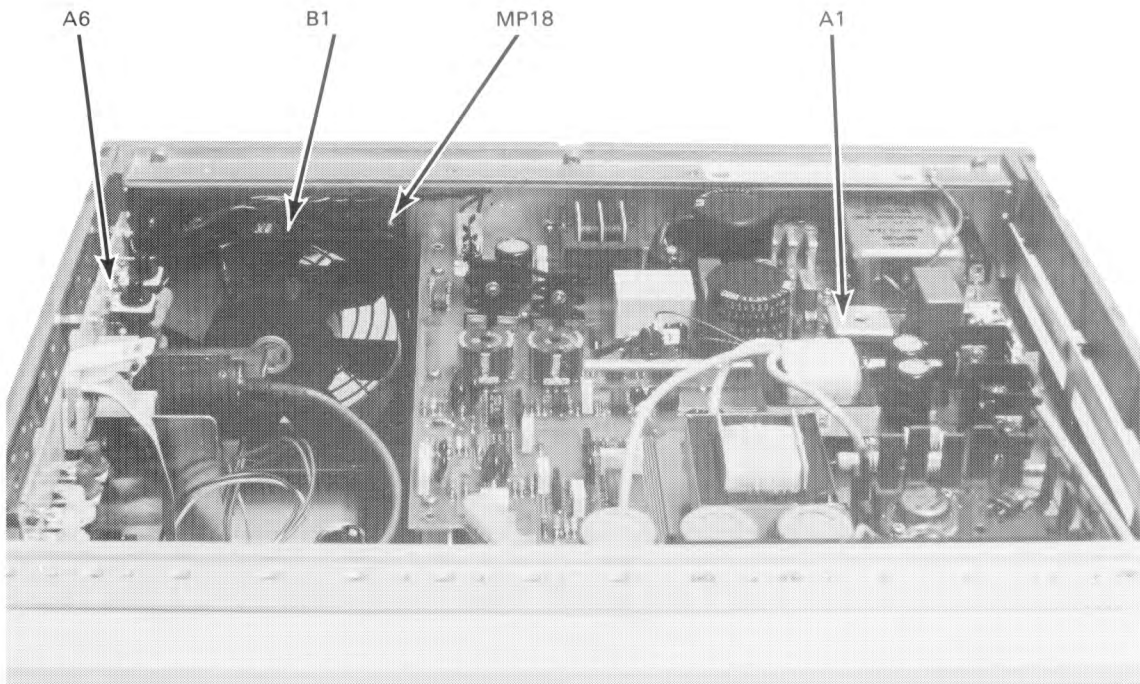
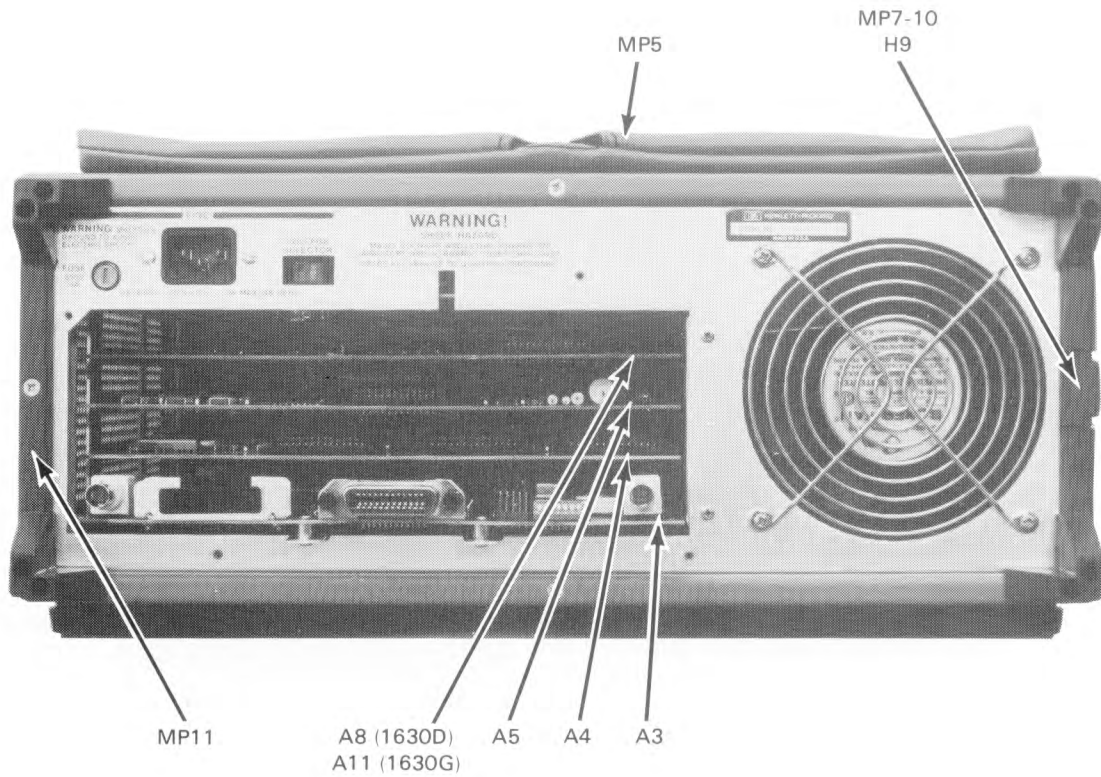


Figure 6-1. Mainframe Mechanical Parts Locations (sheet 2 of 4)

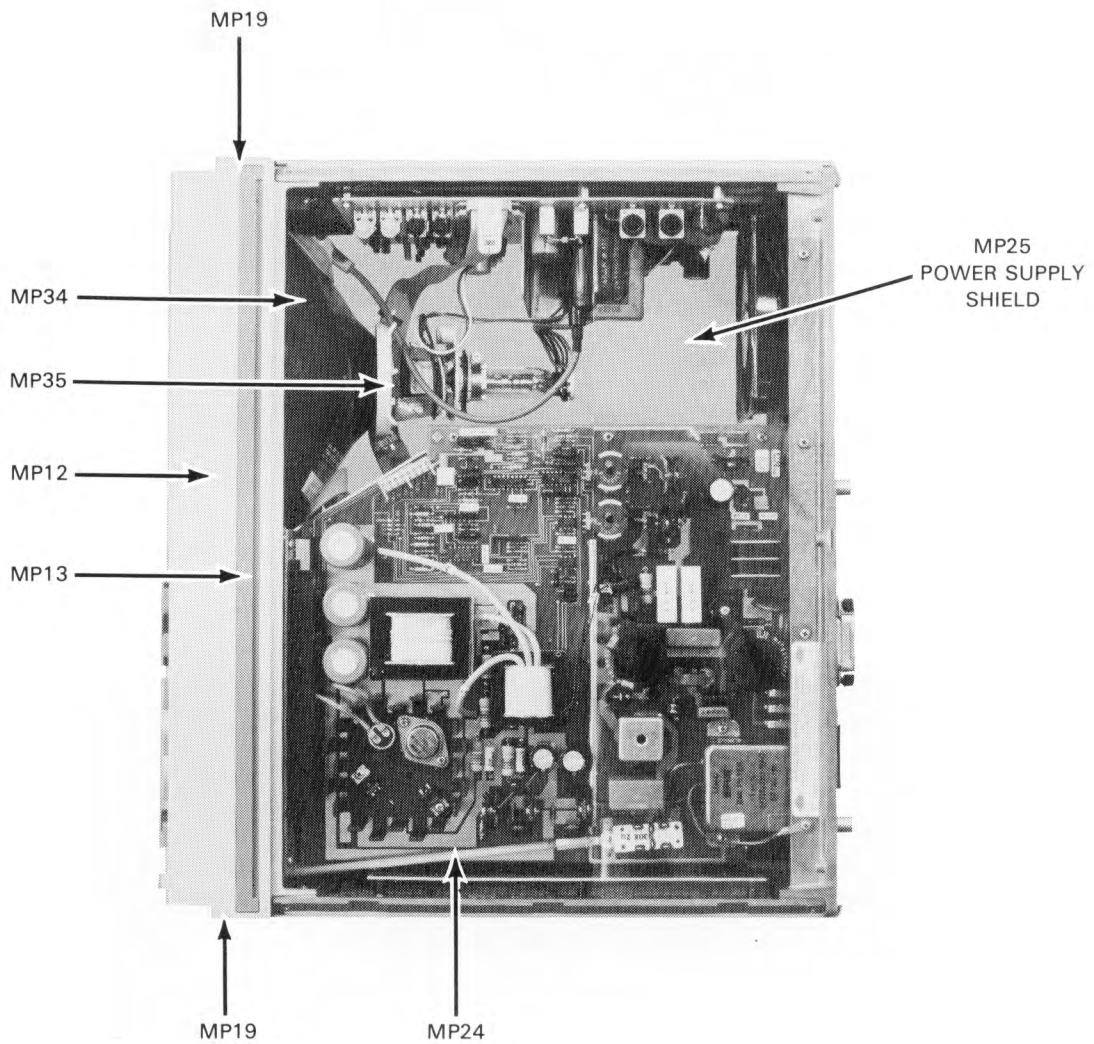


Figure 6-1. Mainframe Mechanical Parts Locations (sheet 3 of 4)

Model 1630A/D/G - Replaceable Parts

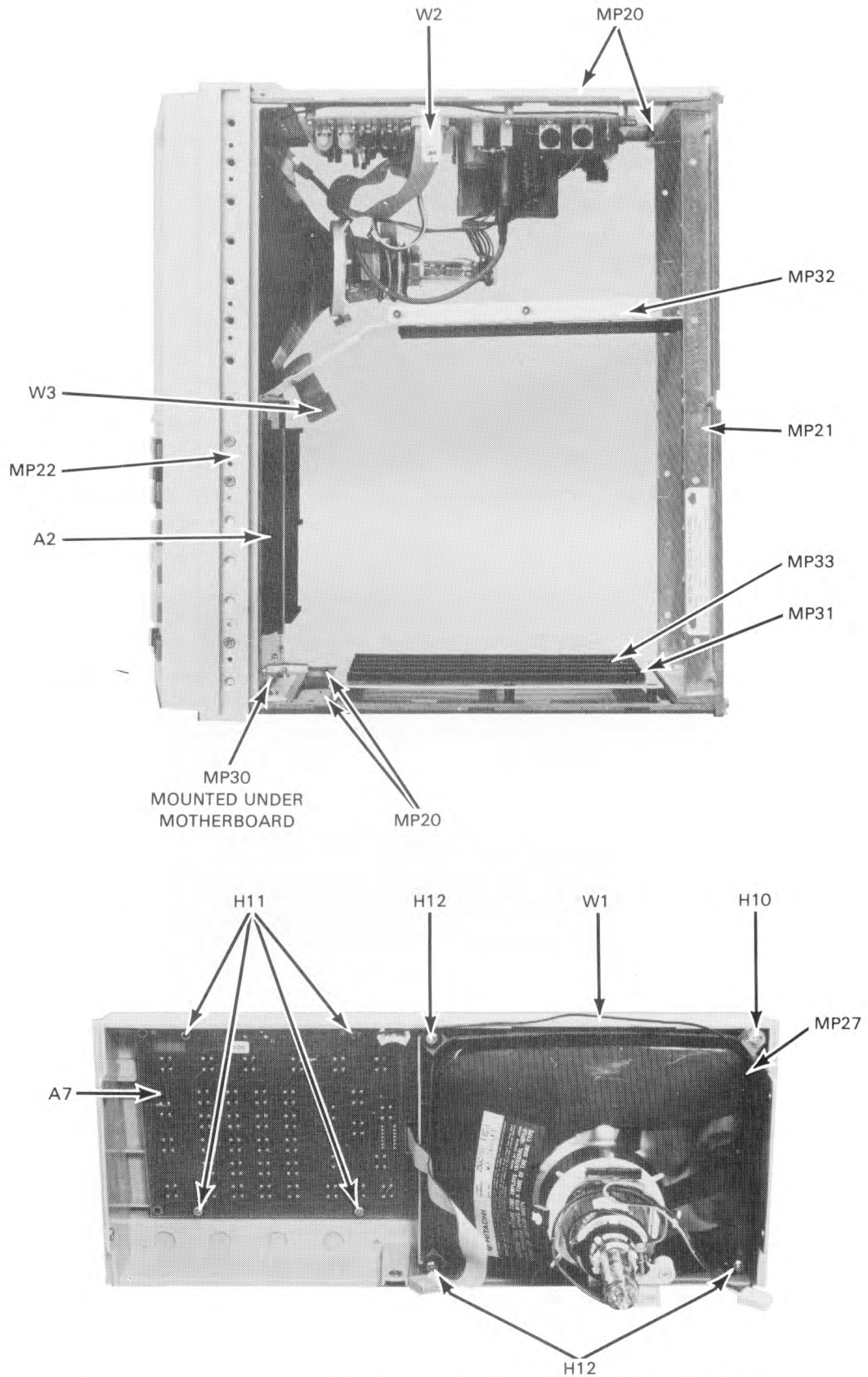


Figure 6-1. Mainframe Mechanical Parts Locations (sheet 4 of 4)

Table 6-2. Replaceable Parts (Cont'd)

| Reference Designator | HP Part Number | C D | Qty | Description  | Mfr Code | Mfr Part Number |
|----------------------|----------------|-----|-----|--|----------|-----------------|
|                      | 1630A/D        |     |     | MAINFRAME ASSEMBLIES/PARTS FOR SERIAL PREFIXES:<br>2242A (1630A)<br>2234A (1630D)<br>ARE THE SAME AS FOR PREFIX 2412A WITH THE FOLLOWING EXCEPTIONS  |          |                 |
| A1                   | 01630-66502    | 5   | 1   | POWER SUPPLY BOARD   | 28480    | 01630-66502     |
| A3                   | 01630-66503    | 6   | 1   | CPU BOARD (1630A AND 1630D)  | 28480    | 01630-66503     |
| A4                   | 01630-66505    | 8   | 1   | STATE MASTER BOARD   | 28480    | 01630-66505     |
| A5                   | 01630-66506    | 9   | 1   | TIMING MASTER BOARD  | 28480    | 01630-66506     |
| B1                   | 3160-0252      | 7   | 1   | FAN 128V 50/60-HZ  | 28480    | 3160-0252       |
| MP1                  | 01630-00201    | 3   | 1   | PANEL-REAR   | 28480    | 01630-00201     |
| MP2                  | 01630-04102    | 1   | 1   | COVER PROBE CONNECTOR  | 28480    | 01630-04102     |
| MP3                  | 01630-44101    | 4   | 1   | COVER CARD CAGE  | 28480    | 01630-44101     |
| MP4                  | 01630-04101    | 0   | 1   | TOP COVER  | 28480    | 01630-04101     |
| MP5                  | 1540-0807      | 2   | 1   | POUCH  | 28480    | 1540-0807       |
| W5                   | 01630-61603    | 7   | 1   | CABLE-FAN  | 28480    | 01630-61603     |
|                      | 1630A/D        |     |     | MAINFRAME ASSEMBLIES/PARTS FOR SERIAL PREFIXES:<br>2311A (1630A/D)<br>ARE THE SAME AS FOR PREFIX 2412A WITH THE FOLLOWING EXCEPTIONS   |          |                 |
| A1                   | 01630-66502    | 5   | 1   | POWER SUPPLY BOARD   | 28480    | 01630-66502     |
| A3                   | 01630-66503    | 6   | 1   | CPU BOARD (1630A AND 1630D)  | 28480    | 01630-66503     |
| A4                   | 01630-66509    | 2   | 1   | STATE MASTER BOARD   | 28480    | 01630-66509     |
| B1                   | 3160-0252      | 7   | 1   | FAN 128V 50/60-HZ  | 28480    | 3160-0252       |
| MP1                  | 01630-00201    | 3   | 1   | PANEL-REAR   | 28480    | 01630-00201     |
| MP2                  | 01630-04102    | 1   | 1   | COVER PROBE CONNECTOR  | 28480    | 01630-04102     |
| MP3                  | 01630-44101    | 4   | 1   | COVER CARD CAGE  | 28480    | 01630-44101     |
| MP4                  | 01630-04101    | 0   | 1   | TOP COVER  | 28480    | 01630-04101     |
| MP5                  | 1540-0807      | 2   | 1   | POUCH  | 28480    | 1540-0807       |
| W5                   | 01630-61603    | 7   | 1   | CABLE-FAN  | 28480    | 01630-61603     |
|                      | 1630A/D        |     |     | MAINFRAME ASSEMBLIES/PARTS FOR SERIAL NUMBERS:<br>2311A00231 (1630A)<br>2311A00791 (1630D)<br>TO SERIAL PREFIX 2412A (1630A/D)<br>ARE THE SAME AS FOR PREFIX 2412A WITH THE FOLLOWING EXCEPTIONS |          |                 |
| A1                   | 01630-66502    | 5   | 1   | POWER SUPPLY BOARD   | 28480    | 01630-66502     |
| A3                   | 01630-66512    | 7   | 1   | CPU BOARD (1630A AND 1630D)  | 28480    | 01630-66512     |
| A4                   | 01630-66509    | 2   | 1   | STATE MASTER BOARD   | 28480    | 01630-66509     |
| B1                   | 3160-0252      | 7   | 1   | FAN 128V 50/60-HZ  | 28480    | 3160-0252       |
| MP1                  | 01630-00201    | 3   | 1   | PANEL-REAR   | 28480    | 01630-00201     |
| MP2                  | 01630-04102    | 1   | 1   | COVER PROBE CONNECTOR  | 28480    | 01630-04102     |
| MP3                  | 01630-44101    | 4   | 1   | COVER CARD CAGE  | 28480    | 01630-44101     |
| MP4                  | 01630-04101    | 0   | 1   | TOP COVER  | 28480    | 01630-04101     |
| MP5                  | 1540-0807      | 2   | 1   | POUCH  | 28480    | 1540-0807       |
| W5                   | 01630-61603    | 7   | 1   | CABLE-FAN  | 28480    | 01630-61603     |
|                      | 1630A/D/G      |     |     | MAINFRAME ASSEMBLIES/PARTS FOR SERIAL PREFIXES:<br>2412A (1630A/D)<br>2415A (1630G)  |          |                 |
| A1                   | 01630-66514    | 9   | 1   | POWER SUPPLY BOARD   | 28480    | 01630-66514     |
| A2                   | 01630-66501    | 4   | 1   | MOTHER BOARD   | 28480    | 01630-66501     |
| A3                   | 01630-66522    | 9   | 1   | CPU BOARD (1630A AND 1630D)  | 28480    | 01630-66522     |
| A3                   | 01630-66519    | 7   | 1   | CPU BOARD (1630G)  | 28480    | 01630-66519     |
| A4                   | 01630-66518    | 3   | 1   | STATE MASTER BOARD   | 28480    | 01630-66518     |

See introduction to this section for ordering information

Table 6-2. Replaceable Parts (Cont'd)

| Reference Designator | HP Part Number | C D | Qty | Description                               | Mfr Code | Mfr Part Number      |
|----------------------|----------------|-----|-----|---|----------|----------------------|
| A5                   | 01630-66510    | 5   | 1   | TIMING MASTER BOARD (1630A/D)             | 28480    | 01630-66510          |
| A5                   | 01630-66524    | 7   | 1   | TIMING MASTER BOARD (1630G)               | 28480    | 01630-66524          |
| A6                   | 0950-0894      | 5   | 1   | DISPLAY BOARD ASSEMBLY                    | 28480    | 0950-0894            |
| A7                   | 01630-66504    | 7   | 1   | KEYBOARD                                  | 28480    | 01630-66504          |
| A8                   | 01630-66508    | 1   | 1   | TIMING SLAVE BOARD (1630D ONLY)           | 28480    | 01630-66508          |
| A9                   | 10271A         | 6   | 3   | STATE MASTER PROBE                        | 28480    | 10271A               |
| A10                  | 10272A         | 7   | AR  | TIMING PROBE(1630A/G QTY 1, 1630D QTY 2)  | 28480    | 10272A               |
| A11                  | 01630-66517    | 2   | 1   | STATE SLAVE BOARD (1630G ONLY)            | 28480    | 01630-66517          |
| A12                  | 10273A         | 8   | 3   | STATE SLAVE PROBE (1630G ONLY)            | 28480    | 10273A               |
| B1                   | 3160-0428      | 9   | 1   | FAN 120/240V 50/60-HZ                     | 28480    | 3160-0428            |
| H1                   | 0515-0211      | 8   | 29  | SCREW-MACH M3 X 0.5 6MM-LG PAN-HD         | 00000    | ORDER BY DESCRIPTION |
| H2                   | 0515-0396      | 0   | 13  | SCREW-MACH M4 X 0.7 10MM-LG               | 00000    | ORDER BY DESCRIPTION |
| H3                   | 0515-0406      | 3   | 4   | SCREW-MACH M3 X 0.5 8MM-LG PAN-HD         | 00000    | ORDER BY DESCRIPTION |
| H4                   | 0515-0413      | 2   | 8   | SCREW-MACH M4 X 0.7 6MM-LG PAN-HD         | 00000    | ORDER BY DESCRIPTION |
| H5                   | 0624-0400      | 8   | 4   | SCREW-TPG 6-19 .5-IN-LG PAN-HD-POZI STL   | 00000    | ORDER BY DESCRIPTION |
| H6                   | 2360-0125      | 6   | 4   | SCREW-MACH 6-32 .75-IN-LG PAN-HD-POZI     | 00000    | ORDER BY DESCRIPTION |
| H7                   | 2360-0195      | 0   | 4   | SCREW-MACH 6-32 .312-IN-LG PAN-HD-POZI    | 00000    | ORDER BY DESCRIPTION |
| H8                   | 2510-0192      | 6   | 16  | SCREW-MACH 8-32 .25-IN-LG 100 DEG         | 00000    | ORDER BY DESCRIPTION |
| H9                   | 2680-0172      | 1   | 2   | SCREW-MACH 10-32 .375-IN-LG 100 DEG       | 28480    | 2680-0172            |
| H10                  | 3050-0002      | 2   | 1   | WASHER-FL MTLC NO. 10 .203-IN-ID          | 28480    | 3050-0002            |
| H11                  | 3050-0003      | 3   | 4   | WASHER-FHL NM NO. 6 .141-IN-ID .375-IN-OD | 28480    | 3050-0003            |
| H12                  | 3050-0006      | 6   | 3   | WASHER-SHLDR NO. 10 .5-IN-OD              | 28480    | 3050-0006            |
| H13                  | 0624-0441      | 7   | 4   | SCREW-TPG 8-16 .625-IN-LG PAN-HD-POZI     | 00000    | ORDER BY DESCRIPTION |
| L1                   | 9140-0720      | 8   | 1   | YOKE                                      | 28480    | 9140-0720            |
| MP1                  | 01630-00202    | 4   | 1   | PANEL-REAR                                | 28480    | 01630-00202          |
| MP2                  | 01630-64103    | 8   | 1   | COVER PROBE CONNECTOR                     | 28480    | 01630-64103          |
| MP3                  | 01630-44102    | 5   | 1   | COVER CARD CAGE                           | 28480    | 01630-44102          |
| MP4                  | 01630-04104    | 3   | 1   | TOP COVER                                 | 28480    | 01630-04104          |
| MP5                  | 01630-84501    | 2   | 1   | POUCH                                     | 28480    | 01630-84501          |
| MP6                  | 5060-9845      | 2   | 1   | BOTTOM COVER                              | 28480    | 5060-9845            |
| MP7                  | 5060-9882      | 7   | 1   | COVER-SIDE                                | 28480    | 5060-9882            |
| MP8                  | 5060-9802      | 1   | 1   | STRAP HANDLE 12 INCH                      | 28480    | 5060-9802            |
| MP9                  | 5040-7219      | 8   | 1   | CAP-STRAP HANDLE (FRONT)                  | 28480    | 5040-7219            |
| MP10                 | 5040-7220      | 1   | 1   | CAP-STRAP HANDLE (REAR)                   | 28480    | 5040-7220            |
| MP11                 | 5060-9915      | 7   | 1   | COVER-SIDE PERFORATED                     | 28480    | 5060-9915            |
| MP12                 | 7101-0694      | 1   | 1   | BEZEL-FRONT                               | 28480    | 7101-0694            |
| MP13                 | 5040-7202      | 9   | 1   | TRIM STRIP-TOP                            | 28480    | 5040-7202            |
| MP14                 | 5040-7201      | 8   | 4   | FEET                                      | 28480    | 5040-7201            |
| MP15                 | 1460-1345      | 5   | 2   | TILT STAND                                | 28480    | 1460-1345            |
| MP16                 | 3160-0092      | 3   | 1   | FINGER GUARD                              | 28480    | 3160-0092            |
| MP17                 |                |     |     | NOT USED                                  |          |                      |
| MP18                 | 2420-0001      | 5   | 4   | FASTENING NUT-HEX (FAN)                   | 28480    | 2420-0001            |
| MP19                 | 5001-0440      | 1   | 2   | TRIM-SIDE                                 | 28480    | 5001-0440            |
| MP20                 | 5020-8835      | 4   | 4   | STRUT-CORNER                              | 28480    | 5020-8835            |
| MP21                 | 5020-8806      | 9   | 1   | FRAME-REAR                                | 28480    | 5020-8806            |
| MP22                 | 5020-8805      | 8   | 1   | FRAME-FRONT                               | 28480    | 5020-8805            |
| MP23                 | 5040-7221      | 2   | 4   | STANDOFF R PANEL                          | 28480    | 5040-7221            |
| MP24                 | 5041-3170      | 4   | 1   | SWITCH SHAFT                              | 28480    | 5041-3170            |
| MP25                 | 01630-00601    | 7   | 1   | SHIELD-POWER SUPPLY-PLASTIC               | 28480    | 01630-00601          |
| MP26                 | 5041-2799      | 1   | 1   | KEYCAP-LINE                               | 28480    | 5041-2799            |
| MP27                 | 0360-2109      | 8   | 1   | GROUND LUG                                | 28480    | 0360-2109            |
| MP28                 | 0363-0040      | 8   | 8   | RFI STRIP-FINGERS BE-CU ZINC PLATED       | 28480    | 0363-0040            |
| MP29                 | 0403-0179      | 0   | 3   | BUMPER FOOT-ADHESIVE MOUNTING             | 28480    | 0403-0179            |
| MP30                 | 01630-01201    | 5   | 1   | BRACKET MOTHER BOARD                      | 28480    | 01630-01201          |
| MP31                 | 01630-01202    | 6   | 1   | BRACKET CARD GUIDE                        | 28480    | 01630-01202          |
| MP32                 | 01630-01203    | 7   | 1   | BRACKET CENTER GUIDE                      | 28480    | 01630-01203          |
| MP33                 | 0403-0445      | 3   | 10  | PC CARD GUIDE                             | 28480    | 0403-0445            |
| MP34                 | 7121-3936      | 2   | 1   | LABEL-IDENTIFICATION (1630A ONLY)         | 28480    | 7121-3936            |
| MP34                 | 7121-3934      | 0   | 1   | LABEL-IDENTIFICATION (1630D ONLY)         | 28480    | 7121-3934            |
| MP34                 | 01630-94306    | 5   | 1   | LABEL-IDENTIFICATION (1630G ONLY)         | 28480    | 01630-94306          |
| MP35                 | 7121-3935      | 1   | 1   | LABEL-BLANK                               | 28480    | 7121-3935            |
| V1                   | 2090-0066      | 1   | 1   | TUBE-CRT                                  | 28480    | 2090-0066            |
| W1                   | 8120-1521      | 6   | 1   | POWER CORD 115V USA/CANADA                | 28480    | 8120-1521            |
| W1                   | 8120-1703      | 6   | 1   | POWER CORD OPTION 900 UNITED KINGDOM      | 28480    | 8120-1703            |
| W1                   | 8120-0696      | 4   | 1   | POWER CORD OPTION 901 AUST/NEW ZEALAND    | 28480    | 8120-0696            |
| W1                   | 8120-1692      | 2   | 1   | POWER CORD OPTION 902 EUROPEAN CONTINENT  | 28480    | 8120-1692            |
| W1                   | 8120-2296      | 4   | 1   | POWER CORD OPTION 906 SWITZERLAND         | 28480    | 8120-2296            |
| W1                   | 8120-2957      | 4   | 1   | POWER CORD OPTION 912 DENMARK             | 28480    | 8120-2957            |
| W2                   | 8120-3785      | 8   | 1   | CABLE DISPLAY-16                          | 28480    | 8120-3785            |
| W3                   | 8120-3784      | 7   | 1   | CABLE KEYBD-14                            | 28480    | 8120-3784            |
| W4                   | 82167-60002    |     | 1   | CABLE HP-IL INTERFACE                     | 28480    | 82167-60002          |

See introduction to this section for ordering information



Table 6-2. Replaceable Parts (Cont'd)

| Reference Designator | HP Part Number | C D | Qty | Description  | Mfr Code | Mfr Part Number    |
|----------------------|----------------|-----|-----|--|----------|--------------------|
| A1                   | 01630-66502    | 5   | 1   | POWER SUPPLY ASSEMBLY<br>SAME AS 01630-66514 WITH THE FOLLOWING<br>EXCEPTIONS:<br>CHANGE P2 QTY TO 2<br>DELETE TP3 | 28480    | 01630-66502        |
| A1                   | 01630-66514    | 9   | 1   | POWER SUPPLY ASSEMBLY  | 28480    | 01630-66514        |
| A1C1                 | 0180-0291      | 3   | 14  | CAPACITOR-FXD 1UF+-10% 35VDC TA  | 56289    | 150D105X9035A2     |
| A1C2                 | 0180-0291      | 3   |     | CAPACITOR-FXD 1UF+-10% 35VDC TA  | 56289    | 150D105X9035A2     |
| A1C3                 | 0180-2946      | 9   | 3   | CAPACITOR-FXD 330UF+50-10% 35VDC AL  | 28480    | 0180-2946          |
| A1C4                 | 0160-5473      | 1   | 10  | CAPACITOR-FXD .01UF 400VDC   | 28480    | 0160-5473          |
| A1C5                 | 0160-5473      | 1   |     | CAPACITOR-FXD .01UF 400VDC   | 28480    | 0160-5473          |
| A1C6                 | 0160-5347      | 8   | 3   | CAPACITOR-FXD 1.0UF 400VDC   | 28480    | 0160-5347          |
| A1C7                 | 0160-5347      | 8   |     | CAPACITOR-FXD 1.0UF 400VDC   | 28480    | 0160-5347          |
| A1C8                 | 0140-0180      | 5   | 7   | CAPACITOR-FXD 2000PF +-2% 300VDC MICA  | 72136    | DM19F202G0300WV1CR |
| A1C9                 | 0160-5347      | 8   |     | CAPACITOR-FXD 1.0UF 400VDC   | 28480    | 0160-5347          |
| A1C10                | 0180-3224      | 8   | 2   | CAPACITOR-FXD 560MF 200VDC   | 28480    | 0180-3224          |
| A1C11                | 0180-3224      | 8   |     | CAPACITOR-FXD 560MF 200VDC   | 28480    | 0180-3224          |
| A1C12                | 0160-4048      | 4   | 1   | CAPACITOR-FXD .022UF +-20% 250VAC(RMS)   | C0633    | PME 271 M 522      |
| A1C13                | 0160-4962      | 1   | 1   | CAPACITOR-FXD 1.0UF 250VDC   | 28480    | 0160-4962          |
| A1C14                | 0180-0291      | 3   |     | CAPACITOR-FXD 1UF +-10% 35VDC TA   | 56289    | 150D105X9035A2     |
| A1C15                | 0140-0180      | 5   |     | CAPACITOR-FXD 2000PF +-2% 300VDC MICA  | 72136    | DM19F202G0300WV1CR |
| A1C16                | 0180-0291      | 3   |     | CAPACITOR-FXD 1UF +-10% 35VDC TA   | 56289    | 150D105X9035A2     |
| A1C17                | 0140-0180      | 5   |     | CAPACITOR-FXD 2000PF +-2% 300VDC MICA  | 72136    | DM19F202G0300WV1CR |
| A1C18                | 0160-5473      | 1   |     | CAPACITOR-FXD .01UF 400VDC   | 28480    | 0160-5473          |
| A1C19                | 0140-0199      | 6   | 1   | CAPACITOR-FXD 240PF +-5% 300VDC MICA   | 72136    | DM15F241J0300WV1CR |
| A1C20                | 0180-0291      | 3   |     | CAPACITOR-FXD 1UF +-10% 35VDC TA   | 56289    | 150D105X9035A2     |
| A1C21                | 0180-0291      | 3   |     | CAPACITOR-FXD 1UF +-10% 35VDC TA   | 56289    | 150D105X9035A2     |
| A1C22                | 0160-5473      | 1   |     | CAPACITOR-FXD .01UF 400VDC   | 28480    | 0160-5473          |
| A1C23                | 0140-0180      | 5   |     | CAPACITOR-FXD 2000PF +-2% 300VDC MICA  | 72136    | DM19F202G0300WV1CR |
| A1C24                | 0160-0164      | 7   | 3   | CAPACITOR-FXD .039UF +-10% 200VDC POLYE  | 28480    | 0160-0164          |
| A1C25                | 0180-2946      | 9   |     | CAPACITOR-FXD 330UF +50-10% 35VDC AL   | 28480    | 0180-2946          |
| A1C26                | 0180-2946      | 9   |     | CAPACITOR-FXD 330UF +50-10% 35VDC AL   | 28480    | 0180-2946          |
| A1C27                | 0160-0164      | 7   |     | CAPACITOR-FXD .039UF +-10% 200VDC POLYE  | 28480    | 0160-0164          |
| A1C28                | 0160-0164      | 7   |     | CAPACITOR-FXD .039UF +-10% 200VDC POLYE  | 28480    | 0160-0164          |
| A1C29                | 0180-0291      | 3   |     | CAPACITOR-FXD 1UF +-10% 35VDC TA   | 56289    | 150D105X9035A2     |
| A1C30                | 0180-0291      | 3   |     | CAPACITOR-FXD 1UF +-10% 35VDC TA   | 56289    | 150D105X9035A2     |
| A1C31                | 0180-0291      | 3   |     | CAPACITOR-FXD 1UF +-10% 35VDC TA   | 56289    | 150D105X9035A2     |
| A1C32                | 0160-5473      | 1   |     | CAPACITOR-FXD .01UF 400VDC   | 28480    | 0160-5473          |
| A1C33                | 0160-5473      | 1   |     | CAPACITOR-FXD .01UF 400VDC   | 28480    | 0160-5473          |
| A1C34                | 0140-0180      | 5   |     | CAPACITOR-FXD 2000PF +-2% 300VDC MICA  | 72136    | DM19F202G0300WV1CR |
| A1C35                | 0180-0291      | 3   |     | CAPACITOR-FXD 1UF +-10% 35VDC TA   | 56289    | 150D105X9035A2     |
| A1C36                | 0140-0180      | 5   |     | CAPACITOR-FXD 2000PF +-2% 300VDC MICA  | 72136    | DM19F202G0300WV1CR |
| A1C37                | 0160-2202      | 8   | 1   | CAPACITOR-FXD 75PF +-5% 300VDC MICA  | 28480    | 0160-2202          |
| A1C38                | 0180-0291      | 3   |     | CAPACITOR-FXD 1UF +-10% 35VDC TA   | 56289    | 150D105X9035A2     |
| A1C39                | 0160-5473      | 1   |     | CAPACITOR-FXD .01UF 400VDC   | 28480    | 0160-5473          |
| A1C40                | 0140-0180      | 5   |     | CAPACITOR-FXD 2000PF +-2% 300VDC MICA  | 72136    | DM19F202G0300WV1CR |
| A1C41                | 0160-5473      | 1   |     | CAPACITOR-FXD .01UF 400VDC   | 28480    | 0160-5473          |
| A1C42                | 0160-5473      | 1   |     | CAPACITOR-FXD .01UF 400VDC   | 28480    | 0160-5473          |
| A1C43                | 0180-0291      | 3   |     | CAPACITOR-FXD 1UF +-10% 35VDC TA   | 56289    | 150D105X9035A2     |
| A1C44                | 0160-5473      | 1   |     | CAPACITOR-FXD .01UF 400VDC   | 28480    | 0160-5473          |
| A1C45                | 0180-0291      | 3   |     | CAPACITOR-FXD 1UF +-10% 35VDC TA   | 56289    | 150D105X9035A2     |
| A1C46                | 0180-0291      | 3   |     | CAPACITOR-FXD 1UF +-10% 35VDC TA   | 56289    | 150D105X9035A2     |
| A1C47                | 0180-3046      | 2   | 3   | CAPACITOR-FXD 3300UF +75-10% 6.3VDC AL   | 28480    | 0180-3046          |
| A1C48                | 0180-3046      | 2   |     | CAPACITOR-FXD 3300UF +75-10% 6.3VDC AL   | 28480    | 0180-3046          |
| A1C49                | 0180-3046      | 2   |     | CAPACITOR-FXD 3300UF +75-10% 6.3VDC AL   | 28480    | 0180-3046          |
| A1CR1                | 1906-0006      | 9   | 1   | DIODE-FW BRDG 400V 1A  | 18546    | VE48               |
| A1CR2                | 1901-0719      | 1   | 2   | DIODE-PWR RECT 400V 3A 300NS   | 04713    | MR854              |
| A1CR3                | 1901-0719      | 1   |     | DIODE-PWR RECT 400V 3A 300NS   | 04713    | MR854              |
| A1CR4                | 1906-0224      | 3   | 1   | DIODE-FW BRDG 600V 25A   | 04713    | M0A2506            |
| A1CR5                | 1901-0028      | 5   | 1   | DIODE-PWR RECT 400V 750MA DO-29  | 28480    | 1901-0028          |
| A1CR6                | 1901-0050      | 3   | 10  | DIODE-SWITCHING 80V 200MA 2NS DO-35  | 28480    | 1901-0050          |
| A1CR7                | 1901-0050      | 3   |     | DIODE-SWITCHING 80V 200MA 2NS DO-35  | 28480    | 1901-0050          |
| A1CR8                | 1901-0050      | 3   |     | DIODE-SWITCHING 80V 200MA 2NS DO-35  | 28480    | 1901-0050          |
| A1CR9                | 1901-0050      | 3   |     | DIODE-SWITCHING 80V 200MA 2NS DO-35  | 28480    | 1901-0050          |
| A1CR10               | 1906-0051      | 4   | 1   | DIODE-FW BRDG 100V 1A  | 28480    | 1906-0051          |
| A1CR11               | 1901-0050      | 3   |     | DIODE-SWITCHING 80V 200MA 2NS DO-35  | 28480    | 1901-0050          |
| A1CR12               | 1901-0050      | 3   |     | DIODE-SWITCHING 80V 200MA 2NS DO-35  | 28480    | 1901-0050          |
| A1CR13               | 1901-0050      | 3   |     | DIODE-SWITCHING 80V 200MA 2NS DO-35  | 28480    | 1901-0050          |
| A1CR14               | 1901-0050      | 3   |     | DIODE-SWITCHING 80V 200MA 2NS DO-35  | 28480    | 1901-0050          |
| A1CR15               | 1906-0079      | 6   | 1   | DIODE-FW BRDG 100V 10A   | 18546    | VJ148X             |
| A1CR16               | 1901-0050      | 3   |     | DIODE-SWITCHING 80V 200MA 2NS DO-35  | 28480    | 1901-0050          |
| A1CR17               | 1901-0050      | 3   |     | DIODE-SWITCHING 80V 200MA 2NS DO-35  | 28480    | 1901-0050          |
| A1CR18               | 1906-0239      | 0   | 1   | DIODE-CT-RECT 45V 30A  | 01281    | SD-241             |

See introduction to this section for ordering information

Table 6-2. Replaceable Parts (Cont'd)

| Reference Designator | HP Part Number | C D | Qty | Description                              | Mfr Code | Mfr Part Number      |
|----------------------|----------------|-----|-----|--|----------|----------------------|
| A1CR19               | 1906-0263      | 0   | 1   | RFCT VSK 12                              | 28480    | 1906-0263            |
| A1CR20               | 1906-0262      | 9   | 1   | RECT USE 2402                            | 28480    | 1906-0262            |
| A1DS1                | 1990-0652      | 8   | 1   | LED-LAMP ARRAY LUM-INT=200UCD IF=5MA-MAX | 28480    | 1990-0652            |
| A1E1                 |                |     |     | SEE SERVICE NOTE-APPENDIX E              |          |                      |
| A1E2                 |                |     |     | SEE SERVICE NOTE-APPENDIX E              |          |                      |
| A1E3                 | 2110-0642      | 3   | 1   | FUSEHOLDER                               | 28480    | 2110-0642            |
| A1F1                 | 2110-0056      | 3   | 1   | FUSE 6A 250V NTD 1.25X.25 UL IEC         | 75915    | 312006               |
| A1FL1                | 9135-0175      | 6   | 1   | FILTER-LINE                              | 28480    | 9135-0175            |
| A1H1                 | 01830-23201    | 3   | 1   | COUPLER-SW EXTN                          | 28480    | 01830-23201          |
| A1H2                 | 0403-0285      | 9   | 1   | BMPR FT-ADH MTG                          | 28480    | 0403-0285            |
| A1H3                 | 0515-0211      | 8   | 8   | SCREW-MACH M3 X 0.5 6MM-LG PAN-HD        | 00000    | ORDER BY DESCRIPTION |
| A1H4                 | 0515-0412      | 1   | 1   | SCREW-MACH M3 X 0.5 25MM-LG PAN-HD       | 00000    | ORDER BY DESCRIPTION |
| A1H5                 | 0515-0406      | 3   | 4   | SCREW-MACH M3 X 0.5 8MM-LG PAN-HD        | 00000    | ORDER BY DESCRIPTION |
| A1H6                 | 2190-0005      | 0   | 12  | WASHER-LK EXT T NO. 4 .116-IN-ID         | 28480    | 2190-0005            |
| A1H7                 | 2420-0001      | 5   | 1   | NUT-HEX-W/LKWR 6-32-THD .109-IN-THK      | 00000    | ORDER BY DESCRIPTION |
| A1H8                 | 3050-0003      | 3   | 1   | WASHER-FL NM NO. 6 .141-IN-ID .375-IN-OD | 28480    | 3050-0003            |
| A1L1                 | 9140-0624      | 1   | 1   | INDUCTOR 270UH 10% .725DX.818LG          | 28480    | 9140-0624            |
| A1L2                 | 9100-4192      | 2   | 1   | TRANSFORMER-BALUN                        | 28480    | 9100-4192            |
| A1MP1                | 1205-0490      | 9   | 4   | HEAT SINK 6022BS                         | 28480    | 1205-0490            |
| A1MP2                | 2110-0565      | 9   | 1   | FUSEHOLDER CAP 12A MAX FOR UL            | 28480    | 2110-0565            |
| A1MP3                | 1205-0490      | 9   | 9   | HEAT SINK 6022BS                         | 28480    | 1205-0490            |
| A1MP4                | 1205-0490      | 9   | 9   | HEAT SINK 6022BS                         | 28480    | 1205-0490            |
| A1MP5                | 1600-1330      | 6   | 1   | STIFFENER-PCB                            | 28480    | 1600-1330            |
| A1MP6                | 1205-0489      | 6   | 2   | HEAT SINK 6021BS                         | 28480    | 1205-0489            |
| A1MP7                | 1205-0489      | 6   | 9   | HEAT SINK 6021BS                         | 28480    | 1205-0489            |
| A1MP8                | 1205-0490      | 9   | 9   | HEAT SINK 6022BS                         | 28480    | 1205-0490            |
| A1MP9                | 1205-0486      | 3   | 1   | HEAT SINK                                | 28480    | 1205-0486            |
| A1Q1                 | 1854-0827      | 1   | 2   | TRANSISTOR NPN SI TO-220AB PD=100W       | 04713    | MJE-13009            |
| A1Q2                 | 1854-0827      | 1   | 1   | TRANSISTOR NPN SI TO-220AB PD=100W       | 04713    | MJE-13009            |
| A1P1                 | 1251-7864      | 2   | 1   | CONNECTOR-50 CONTACT (MALE)              | 28480    | 1251-7864            |
| A1P2                 | 1251-7826      | 6   | 3   | CONNECTOR-MALE                           | 28480    | 1251-7826            |
| A1R1                 | 0757-0394      | 0   | 2   | RESISTOR 51.1 1% .125W F TC=0+-100       | 24546    | C4-1/8-TO-51R1-F     |
| A1R2                 | 0757-0394      | 0   | 8   | RESISTOR 51.1 1% .125W F TC=0+-100       | 24546    | C4-1/8-TO-51R1-F     |
| A1R3                 | 0698-3615      | 8   | 1   | RESISTOR 47 5% 2W MO TC=0+-200           | 27167    | FP42-2-T00-47R0-J    |
| A1R4                 | 0757-0367      | 7   | 2   | RESISTOR 100K 1% .5W F TC=0+-100         | 28480    | 0757-0367            |
| A1R5                 | 0757-0367      | 7   | 7   | RESISTOR 100K 1% .5W F TC=0+-100         | 28480    | 0757-0367            |
| A1R6                 | 0757-0059      | 4   | 1   | RESISTOR 1M 1% .5W F TC=0+-100           | 28480    | 0757-0059            |
| A1R7                 | 0757-0409      | 8   | 2   | RESISTOR 274 1% .125W F TC=0+-100        | 24546    | C4-1/8-TO-274R-F     |
| A1R8                 | 0757-0415      | 6   | 2   | RESISTOR 475 1% .125W F TC=0+-100        | 24546    | C4-1/8-TO-475R-F     |
| A1R9                 | 0757-0409      | 8   | 8   | RESISTOR 274 1% .125W F TC=0+-100        | 24546    | C4-1/8-TO-274R-F     |
| A1R10                | 0757-0415      | 6   | 6   | RESISTOR 475 1% .125W F TC=0+-100        | 24546    | C4-1/8-TO-475R-F     |
| A1R11                | 0757-0280      | 3   | 4   | RESISTOR 1K 1% .125W F TC=0+-100         | 24546    | C4-1/8-TO-1001-F     |
| A1R12                | 0757-0280      | 3   | 3   | RESISTOR 1K 1% .125W F TC=0+-100         | 24546    | C4-1/8-TO-1001-F     |
| A1R13                | 0757-0280      | 3   | 3   | RESISTOR 1K 1% .125W F TC=0+-100         | 24546    | C4-1/8-TO-1001-F     |
| A1R14                | 0757-0442      | 9   | 4   | RESISTOR 10K 1% .125W F TC=0+-100        | 24546    | C4-1/8-TO-1002-F     |
| A1R15                | 0757-0397      | 3   | 1   | RESISTOR 68.1 1% .125W F TC=0+-100       | 24546    | C4-1/8-TO-68R1-F     |
| A1R16                | 0757-0462      | 3   | 1   | RESISTOR 75K 1% .125W F TC=0+-100        | 24546    | C4-1/8-TO-7502-F     |
| A1R17                | 0757-0437      | 2   | 3   | RESISTOR 4.75K 1% .125W F TC=0+-100      | 24546    | C4-1/8-TO-4751-F     |
| A1R18                | 0757-0442      | 9   | 9   | RESISTOR 10K 1% .125W F TC=0+-100        | 24546    | C4-1/8-TO-1002-F     |
| A1R19                | 0698-8959      | 3   | 1   | RESISTOR 619K 1% .125W F TC=0+-100       | 28480    | 0698-8959            |
| A1R20                | 0757-0437      | 2   | 1   | RESISTOR 4.75K 1% .125W F TC=0+-100      | 24546    | C4-1/8-TO-4751-F     |
| A1R21                | 0757-0281      | 4   | 1   | RESISTOR 2.74K 1% .125W F TC=0+-100      | 24546    | C4-1/8-TO-2741-F     |
| A1R22                | 0757-0441      | 8   | 1   | RESISTOR 8.25K 1% .125W F TC=0+-100      | 24546    | C4-1/8-TO-8251-F     |
| A1R23                | 0757-0437      | 2   | 1   | RESISTOR 4.75K 1% .125W F TC=0+-100      | 24546    | C4-1/8-TO-4751-F     |
| A1R24                | 0757-0795      | 5   | 1   | RESISTOR 75 1% .5W F TC=0+-100           | 19701    | MF-1/2-TO-75R0-F     |
| A1R25                | 0698-3603      | 4   | 3   | RESISTOR 12 5% 2W MO TC=0+-200           | 27167    | FP42-2-T00-12R0-J    |
| A1R26                | 0698-3603      | 4   | 4   | RESISTOR 12 5% 2W MO TC=0+-200           | 27167    | FP42-2-T00-12R0-J    |
| A1R27                | 0698-3603      | 4   | 4   | RESISTOR 12 5% 2W MO TC=0+-200           | 27167    | FP42-2-T00-12R0-J    |
| A1R28                | 0757-0442      | 9   | 9   | RESISTOR 10K 1% .125W F TC=0+-100        | 24546    | C4-1/8-TO-1002-F     |
| A1R29                | 0757-0288      | 1   | 1   | RESISTOR 9.09K 1% .125W F TC=0+-100      | 19701    | MF4C1/8-TO-9091-F    |
| A1R30                | 0757-0468      | 9   | 2   | RESISTOR 130K 1% .125W F TC=0+-100       | 24546    | C4-1/8-TO-1303-F     |
| A1R31                | 0757-0450      | 9   | 1   | RESISTOR 22.1K 1% .125W F TC=0+-100      | 24546    | C4-1/8-TO-2212-F     |
| A1R32                | 0757-0440      | 7   | 2   | RESISTOR 7.5K 1% .125W F TC=0+-100       | 24546    | C4-1/8-TO-7501-F     |
| A1R33                | 0757-0280      | 3   | 1   | RESISTOR 1K 1% .125W F TC=0+-100         | 24546    | C4-1/8-TO-1001-F     |
| A1R34                | 2100-3211      | 7   | 1   | RESISTOR-TMR 1K 10% C TOP-ADJ 1-TRN      | 28480    | 2100-3211            |
| A1R35                | 0698-8961      | 7   | 1   | RESISTOR 909K 1% .125W F TC=0+-100       | 28480    | 0698-8961            |
| A1R36                | 0757-0283      | 6   | 1   | RESISTOR 2K 1% .125W F TC=0+-100         | 24546    | C4-1/8-TO-2001-F     |
| A1R37                | 0757-0459      | 8   | 2   | RESISTOR 56.2K 1% .125W F TC=0+-100      | 24546    | C4-1/8-TO-5622-F     |
| A1R38                | 0757-0442      | 9   | 1   | RESISTOR 10K 1% .125W F TC=0+-100        | 24546    | C4-1/8-TO-1002-F     |

See introduction to this section for ordering information

Table 6-2. Replaceable Parts (Cont'd)

| Reference Designator | HP Part Number | C D | Qty | Description                          | Mfr Code | Mfr Part Number   |
|----------------------|----------------|-----|-----|--------------------------------------|----------|-------------------|
| A1R39                | 0757-0459      | 8   |     | RESISTOR 56.2K 1% .125W F TC=0+-100  | 24546    | C4-1/8-TO-5622-F  |
| A1R40                | 0757-0468      | 9   |     | RESISTOR 130K 1% .125W F TC=0+-100   | 24546    | C4-1/8-TO-1303-F  |
| A1R41                | 0757-0440      | 7   |     | RESISTOR 7.5K 1% .125W F TC=0+-100   | 24546    | C4-1/8-TO-7501-F  |
| A1R42                | 0757-0479      | 2   | 1   | RESISTOR 392K 1% .125W F TC=0+-100   | 19701    | MF4C1/8-TO-3923-F |
| A1RP1                | 1810-0488      | 8   | 3   | NETWORK-RES 8-SIP4.7K OHM X 4        | 28480    | 1810-0488         |
| A1RP2                | 1810-0488      | 8   |     | NETWORK-RES 8-SIP4.7K OHM X 4        | 28480    | 1810-0488         |
| A1RP3                | 1810-0488      | 8   |     | NETWORK-RES 8-SIP4.7K OHM X 4        | 28480    | 1810-0488         |
| A1RT1                |                |     |     | SEE SERVICE NOTE-APPENDIX E          |          |                   |
| A1RT2                |                |     |     | SEE SERVICE NOTE-APPENDIX E          |          |                   |
| A1RT3                | 0837-0172      | 2   | 1   | THERMISTOR DISC 2.5-OHM              | 15454    | SG-3              |
| A1RV1                | 0837-0120      | 0   | 1   | VARISTOR-130VAC                      | 28480    | 0837-0120         |
| A1RV2                | 0837-0261      | 0   | 1   | VARISTOR-220VAC                      | 28480    | 0837-0261         |
| A1SW1                | 3101-2582      | 6   | 1   | SWITCH-SLIDE                         | 28480    | 3101-2582         |
| A1SW2                | 3101-2150      | 4   | 1   | SWITCH-PB DPDT ALTN 5A 250VAC        | 28480    | 3101-2150         |
| A1SW3                | 3103-0091      | 2   | 1   | SWITCH-THRM FXD +110C 6A OPN-ON-RISE | 28480    | 3103-0091         |
| A1T1                 | 9100-4271      | 8   | 1   | TRANSFORMER-CONT                     | 28480    | 9100-4271         |
| A1T2                 | 9100-4265      | 0   | 2   | TRANSFORMER-BASE DRIVE               | 28480    | 9100-4265         |
| A1T3                 | 9100-4265      | 0   |     | TRANSFORMER-BASE DRIVE               | 28480    | 9100-4265         |
| A1T4                 | 9100-4163      | 7   | 1   | TRANSFORMER                          | 28480    | 9100-4163         |
| A1T5                 | 9100-4266      | 1   | 1   | TRANSFORMER-POWER                    | 28480    | 9100-4266         |
| A1T6                 | 9100-4267      | 2   | 1   | CHOKE-COUPLED                        | 28480    | 9100-4267         |
| A1TP1                | 1251-3618      | 6   | 1   | CONNECTOR 2-PIN M POST TYPE          | 28480    | 1251-3618         |
| A1TP2                | 1251-3900      | 9   | 1   | CONNECTOR 8-PIN F POST TYPE          | 28480    | 1251-3900         |
| A1TP3                | 1251-7826      | 6   |     | CONNECTOR-MALE                       | 28480    | 1251-7826         |
| A1U1                 | 1826-0718      | 0   | 1   | IC-MC1404                            | 28480    | 1826-0718         |
| A1U2                 | 1820-2111      | 9   | 1   | IC DRVR TTL INV                      | 01295    | SN75468N          |
| A1U3                 | 1826-0468      | 7   | 2   | IC COMPARATOR GP 8-DIP-P PKG         | 04713    | MC3423P1          |
| A1U4                 | 1826-0468      | 7   |     | IC COMPARATOR GP 8-DIP-P PKG         | 04713    | MC3423P1          |
| A1U5                 | 1826-0565      | 5   | 1   | IC-TL494                             | 28480    | 1826-0565         |
| A1U6                 | 1826-0161      | 7   | 1   | IC OP AMP GP QUAD 14-DIP-P PKG       | 04713    | MLM324P           |
| A1VR1                | 1826-0147      | 9   | 2   | IC 7812 V RGLTR TO-220               | 04713    | MC7812CP          |
| A1VR2                | 1826-0106      | 0   | 1   | IC 7815 V RGLTR TO-220               | 04713    | MC7815CP          |
| A1VR3                | 1826-0147      | 9   |     | IC 7812 V RGLTR TO-220               | 04713    | MC7812CP          |
| A1VR4                | 1826-0221      | 0   | 1   | IC V RGLTR TO-220                    | 04713    | MC7912CT          |

See introduction to this section for ordering information



Table 6-2. Replaceable Parts (Cont'd)

| Reference Designator | HP Part Number | C D | Qty | Description                          | Mfr Code | Mfr Part Number |
|----------------------|----------------|-----|-----|--------------------------------------|----------|-----------------|
| A2                   | 01630-66501    | 4   | 1   | MOTHERBOARD ASSEMBLY                 | 28480    | 01630-66501     |
| A2C1                 | 0160-5298      | 8   | 4   | CAPACITOR-FXD .01UF +-20% 100VDC CER | 28480    | 0160-5298       |
| A2C2                 | 0160-5298      | 8   |     | CAPACITOR-FXD .01UF +-20% 100VDC CER | 28480    | 0160-5298       |
| A2C3                 | 0160-5298      | 8   |     | CAPACITOR-FXD .01UF +-20% 100VDC CER | 28480    | 0160-5298       |
| A2C4                 | 0160-5298      | 8   |     | CAPACITOR-FXD .01UF +-20% 100VDC CER | 28480    | 0160-5298       |
| A2J1                 | 1251-7867      | 5   | 1   | CONNECTOR-100 CONTACT (MALE)         | 28480    | 1251-7867       |
| A2J2                 | 1251-7865      | 3   | 2   | CONNECTOR-50 CONTACT (MALE)          | 28480    | 1251-7865       |
| A2J3                 | 1251-7866      | 4   | 4   | CONNECTOR-100 CONTACT (MALE)         | 28480    | 1251-7866       |
| A2J4                 | 1251-7866      | 4   |     | CONNECTOR-100 CONTACT (MALE)         | 28480    | 1251-7866       |
| A2J5                 | 1251-7866      | 4   |     | CONNECTOR-100 CONTACT (MALE)         | 28480    | 1251-7866       |
| A2J6                 | 1251-7866      | 4   |     | CONNECTOR-100 CONTACT (MALE)         | 28480    | 1251-7866       |
| A2RP1                | 1810-0619      | 7   | 4   | RESISTIVE NETWORK-171/241            | 28480    | 1810-0619       |
| A2RP2                | 1810-0619      | 7   |     | RESISTIVE NETWORK-171/241            | 28480    | 1810-0619       |
| A2RP3                | 1810-0619      | 7   |     | RESISTIVE NETWORK-171/241            | 28480    | 1810-0619       |
| A2RP4                | 1810-0619      | 7   |     | RESISTIVE NETWORK-171/241            | 28480    | 1810-0619       |

See introduction to this section for ordering information



Table 6-2. Replaceable Parts (Cont'd)

| Reference Designator | HP Part Number | C D | Qty | Description  | Mfr Code | Mfr Part Number |
|----------------------|----------------|-----|-----|--|----------|-----------------|
| A3                   | 01630-66503    | 6   | 1   | CPU ASSEMBLY<br>SAME AS 01630-66522  | 28480    | 01630-66503     |
| A3                   | 01630-66512    | 7   | 1   | CPU ASSEMBLY<br>SAME AS 01630-66522 EXCEPT:<br>CHANGE A3XU6I QTY TO 1<br>DELETE A3XU6M | 28480    | 01630-66512     |
| A3                   | 01630-66519    | 7   | 1   | CPU ASSEMBLY (1630G ONLY)<br>SAME AS 01630-66522 EXCEPT:                               | 28480    | 01630-66519     |
| A3U3H                | 01630-80027    | 9   | 1   | PROM 3 27128-3   | 28480    | 01630-80027     |
| A3U3I                | 01630-80026    | 8   | 1   | PROM 2 27128-3   | 28480    | 01630-80026     |
| A3U3J                | 01630-80025    | 7   | 1   | PROM 1 27128-3   | 28480    | 01630-80025     |
| A3U3K                | 01630-80024    | 6   | 1   | PROM 0 27128-3   | 28480    | 01630-80024     |
| A3U4H                | 01630-80031    | 5   | 1   | PROM 7 27128-3   | 28480    | 01630-80031     |
| A3U4I                | 01630-80030    | 4   | 1   | PROM 6 27128-3   | 28480    | 01630-80030     |
| A3U4J                | 01630-80029    | 1   | 1   | PROM 5 27128-3   | 28480    | 01630-80029     |
| A3U4K                | 01630-80028    | 0   | 1   | PROM 4 27128-3   | 28480    | 01630-80028     |
| A3                   | 01630-66522    | 9   | 1   | CPU ASSEMBLY   | 28480    | 01630-66522     |
| A3C1                 | 0160-5311      | 6   | 2   | CAPACITOR-FXD 330PF +-5% 100VDC CER  | 28480    | 0160-5311       |
| A3C2                 | 0160-5311      | 6   | 40  | CAPACITOR-FXD 330PF +-5% 100VDC CER  | 28480    | 0160-5311       |
| A3C3                 | 0160-5298      | 8   |     | CAPACITOR-FXD .01UF +-20% 100VDC CER   | 28480    | 0160-5298       |
| A3C4                 | 0160-5298      | 8   |     | CAPACITOR-FXD .01UF +-20% 100VDC CER   | 28480    | 0160-5298       |
| A3C5                 | 0160-5298      | 8   |     | CAPACITOR-FXD .01UF +-20% 100VDC CER   | 28480    | 0160-5298       |
| A3C6                 | 0160-5298      | 8   |     | CAPACITOR-FXD .01UF +-20% 100VDC CER   | 28480    | 0160-5298       |
| A3C7                 | 0160-5298      | 8   |     | CAPACITOR-FXD .01UF +-20% 100VDC CER   | 28480    | 0160-5298       |
| A3C8                 | 0160-5298      | 8   |     | CAPACITOR-FXD .01UF +-20% 100VDC CER   | 28480    | 0160-5298       |
| A3C9                 | 0160-5298      | 8   |     | CAPACITOR-FXD .01UF +-20% 100VDC CER   | 28480    | 0160-5298       |
| A3C10                | 0160-5298      | 8   |     | CAPACITOR-FXD .01UF +-20% 100VDC CER   | 28480    | 0160-5298       |
| A3C11                | 0160-5298      | 8   | 6   | CAPACITOR-FXD .01UF +-20% 100VDC CER   | 28480    | 0160-5298       |
| A3C12                | 0160-5474      | 2   |     | CAPACITOR-FXD .1UF 100VDC  | 28480    | 0160-5474       |
| A3C13                | 0160-5298      | 8   |     | CAPACITOR-FXD .01UF +-20% 100VDC CER   | 28480    | 0160-5298       |
| A3C14                | 0160-5298      | 8   |     | CAPACITOR-FXD .01UF +-20% 100VDC CER   | 28480    | 0160-5298       |
| A3C15                | 0160-5298      | 8   |     | CAPACITOR-FXD .01UF +-20% 100VDC CER   | 28480    | 0160-5298       |
| A3C16                | 0160-5298      | 8   |     | CAPACITOR-FXD .01UF +-20% 100VDC CER   | 28480    | 0160-5298       |
| A3C17                | 0160-5298      | 8   |     | CAPACITOR-FXD .01UF +-20% 100VDC CER   | 28480    | 0160-5298       |
| A3C18                | 0160-5298      | 8   |     | CAPACITOR-FXD .01UF +-20% 100VDC CER   | 28480    | 0160-5298       |
| A3C19                | 0160-5298      | 8   |     | CAPACITOR-FXD .01UF +-20% 100VDC CER   | 28480    | 0160-5298       |
| A3C20                | 0160-5298      | 8   |     | CAPACITOR-FXD .01UF +-20% 100VDC CER   | 28480    | 0160-5298       |
| A3C21                | 0160-5298      | 8   |     | CAPACITOR-FXD .01UF +-20% 100VDC CER   | 28480    | 0160-5298       |
| A3C22                | 0160-5298      | 8   |     | CAPACITOR-FXD .01UF +-20% 100VDC CER   | 28480    | 0160-5298       |
| A3C23                | 0160-5298      | 8   |     | CAPACITOR-FXD .01UF +-20% 100VDC CER   | 28480    | 0160-5298       |
| A3C24                | 0160-5298      | 8   |     | CAPACITOR-FXD .01UF +-20% 100VDC CER   | 28480    | 0160-5298       |
| A3C25                | 0160-5298      | 8   |     | CAPACITOR-FXD .01UF +-20% 100VDC CER   | 28480    | 0160-5298       |
| A3C26                | 0160-3508      | 9   | 7   | CAPACITOR-FXD 1UF +80-20% 50VDC CER  | 28480    | 0160-3508       |
| A3C27                | 0160-5298      | 8   |     | CAPACITOR-FXD .01UF +-20% 100VDC CER   | 28480    | 0160-5298       |
| A3C28                | 0160-5298      | 8   |     | CAPACITOR-FXD .01UF +-20% 100VDC CER   | 28480    | 0160-5298       |
| A3C29                | 0160-5298      | 8   |     | CAPACITOR-FXD .01UF +-20% 100VDC CER   | 28480    | 0160-5298       |
| A3C30                | 0160-5298      | 8   |     | CAPACITOR-FXD .01UF +-20% 100VDC CER   | 28480    | 0160-5298       |
| A3C31                | 0160-5298      | 8   |     | CAPACITOR-FXD .01UF +-20% 100VDC CER   | 28480    | 0160-5298       |
| A3C32                | 0160-5298      | 8   |     | CAPACITOR-FXD .01UF +-20% 100VDC CER   | 28480    | 0160-5298       |
| A3C33                | 0160-5298      | 8   |     | CAPACITOR-FXD .01UF +-20% 100VDC CER   | 28480    | 0160-5298       |
| A3C34                | 0160-3508      | 9   |     | CAPACITOR-FXD 1UF +80-20% 50VDC CER  | 28480    | 0160-3508       |
| A3C35                | 0160-5298      | 8   |     | CAPACITOR-FXD .01UF +-20% 100VDC CER   | 28480    | 0160-5298       |
| A3C36                | 0160-5474      | 2   |     | CAPACITOR-FXD .1UF 100VDC  | 28480    | 0160-5474       |
| A3C37                | 0160-5474      | 2   |     | CAPACITOR-FXD .1UF 100VDC  | 28480    | 0160-5474       |
| A3C38                | 0160-5474      | 2   |     | CAPACITOR-FXD .1UF 100VDC  | 28480    | 0160-5474       |
| A3C39                | 0160-3508      | 9   |     | CAPACITOR-FXD 1UF +80-20% 50VDC CER  | 28480    | 0160-3508       |
| A3C40                | 0160-5474      | 2   |     | CAPACITOR-FXD .1UF 100VDC  | 28480    | 0160-5474       |
| A3C41                | 0160-5474      | 2   |     | CAPACITOR-FXD .1UF 100VDC  | 28480    | 0160-5474       |
| A3C42                | 0160-5298      | 8   |     | CAPACITOR-FXD .01UF +-20% 100VDC CER   | 28480    | 0160-5298       |
| A3C43                | 0160-5298      | 8   |     | CAPACITOR-FXD .01UF +-20% 100VDC CER   | 28480    | 0160-5298       |
| A3C44                | 0160-5298      | 8   |     | CAPACITOR-FXD .01UF +-20% 100VDC CER   | 28480    | 0160-5298       |
| A3C45                | 0160-5298      | 8   |     | CAPACITOR-FXD .01UF +-20% 100VDC CER   | 28480    | 0160-5298       |
| A3C46                | 0160-5298      | 8   |     | CAPACITOR-FXD .01UF +-20% 100VDC CER   | 28480    | 0160-5298       |
| A3C47                | 0160-5298      | 8   |     | CAPACITOR-FXD .01UF +-20% 100VDC CER   | 28480    | 0160-5298       |
| A3C48                | 0160-5298      | 8   |     | CAPACITOR-FXD .01UF +-20% 100VDC CER   | 28480    | 0160-5298       |
| A3C49                | 0160-5298      | 8   |     | CAPACITOR-FXD .01UF +-20% 100VDC CER   | 28480    | 0160-5298       |
| A3C50                | 0160-5298      | 8   |     | CAPACITOR-FXD .01UF +-20% 100VDC CER   | 28480    | 0160-5298       |

See introduction to this section for ordering information

Table 6-2. Replaceable Parts (Cont'd)

| Reference Designator | HP Part Number | C D | Qty | Description                             | Mfr Code | Mfr Part Number      |
|----------------------|----------------|-----|-----|---|----------|----------------------|
| A3C51                | 0160-3508      | 9   |     | CAPACITOR-FXD 1UF +80-20% 50VDC CER     | 28480    | 0160-3508            |
| A3C52                | 0160-3508      | 9   |     | CAPACITOR-FXD 1UF +80-20% 50VDC CER     | 28480    | 0160-3508            |
| A3C53                | 0160-5298      | 8   |     | CAPACITOR-FXD .01UF +-20% 100VDC CER    | 28480    | 0160-5298            |
| A3C54                | 0160-3508      | 9   |     | CAPACITOR-FXD 1UF +80-20% 50VDC CER     | 28480    | 0160-3508            |
| A3C55                | 0160-3508      | 9   |     | CAPACITOR-FXD 1UF +80-20% 50VDC CER     | 28480    | 0160-3508            |
| A3C56                |                |     |     | NOT USED                                |          |                      |
| A3C57                | 0180-0229      | 7   | 3   | CAPACITOR-FXD 33UF+-10% 10VDC TA        | 56289    | 150D336X9010B2       |
| A3C58                | 0180-0229      | 7   |     | CAPACITOR-FXD 33UF+-10% 10VDC TA        | 56289    | 150D336X9010B2       |
| A3C59                | 0180-0229      | 7   |     | CAPACITOR-FXD 33UF+-10% 10VDC TA        | 56289    | 150D336X9010B2       |
| A3C60                | 0180-0374      | 3   | 1   | CAPACITOR-FXD 10UF+-10% 20VDC TA        | 56289    | 150D106X9020B2       |
| A3C61                | 0180-0228      | 6   | 2   | CAPACITOR-FXD 22UF+-10% 15VDC TA        | 56289    | 150D226X9015B2       |
| A3C62                | 0180-0228      | 6   |     | CAPACITOR-FXD 22UF+-10% 15VDC TA        | 56289    | 150D226X9015B2       |
| A3CR1                | 1902-0186      | 8   | 4   | DIODE-ZNR 32.4V 5% DO-35 PD=.4W         | 28480    | 1902-0186            |
| A3CR2                | 1902-0186      | 8   |     | DIODE-ZNR 32.4V 5% DO-35 PD=.4W         | 28480    | 1902-0186            |
| A3CR3                | 1902-0186      | 8   |     | DIODE-ZNR 32.4V 5% DO-35 PD=.4W         | 28480    | 1902-0186            |
| A3CR4                | 1902-0186      | 8   |     | DIODE-ZNR 32.4V 5% DO-35 PD=.4W         | 28480    | 1902-0186            |
| A3H1                 | 0515-0211      | 8   | 4   | SCREW-MACH M3 X 0.5 6MM-LG PAN-HD       | 00000    | ORDER BY DESCRIPTION |
| A3H2                 | 0624-0306      | 3   | 2   | SCREW-TPG 2-28 .5-IN-LG PAN-HD-POZI STL | 28480    | 0624-0306            |
| A3H3                 | 01630-01208    | 2   | 1   | GROUND BRACKET                          | 28480    | 01630-01208          |
| A3J1                 | 1250-1774      | 9   | 2   | CONNECTOR-RF BNC FEM SPCL-MTG 50-OHM    | 28480    | 1250-1774            |
| A3J2                 | 1251-7162      | 3   | 1   | CONNECTOR 24-PIN F MICRO-RIBBON         | 28480    | 1251-7162            |
| A3J3                 | 82169-60007    | 3   | 1   | CONNECTOR HP-IL                         | 28480    | 82169-60007          |
| A3J4                 | 1250-1774      | 9   |     | CONNECTOR-RF BNC FEM SPCL-MTG 50-OHM    | 28480    | 1250-1774            |
| A3J5                 | 1251-7666      | 2   | 1   | CONNECTOR-16 PIN                        | 28480    | 1251-7666            |
| A3J6                 | 1251-7664      | 0   | 1   | CONNECTOR-14 PIN                        | 28480    | 1251-7664            |
| A3LS1                | 9164-0209      | 8   | 1   | AUDIO TRANSDUCER                        | 28480    | 9164-0209            |
| A3MP1                | 01630-01204    | 8   | 1   | BRACKET - HP-IL                         | 28480    | 01630-01204          |
| A3MP2                | 1251-5595      | 2   | 2   | POLARIZING KEY-POST CONN                | 28480    | 1251-5595            |
| A3MP3                | 1251-5595      | 2   |     | POLARIZING KEY-POST CONN                | 28480    | 1251-5595            |
| A3P1                 | 1251-7868      | 6   | 1   | CONNECTOR-100 CONTACT (FEMALE)          | 28480    | 1251-7868            |
| A3R1                 | 0757-0283      | 6   | 8   | RESISTOR 2K 1% .125W F TC=0+-100        | 24546    | C4-1/8-TO-2001-F     |
| A3R2                 | 0757-0283      | 6   |     | RESISTOR 2K 1% .125W F TC=0+-100        | 24546    | C4-1/8-TO-2001-F     |
| A3R3                 | 0757-0446      | 3   | 2   | RESISTOR 15K 1% .125W F TC=0+-100       | 24546    | C4-1/8-TO-1502-F     |
| A3R4                 | 0698-3446      | 3   | 2   | RESISTOR 383 1% .125W F TC=0+-100       | 24546    | C4-1/8-TO-383R-F     |
| A3R5                 | 0698-3446      | 3   |     | RESISTOR 383 1% .125W F TC=0+-100       | 24546    | C4-1/8-TO-383R-F     |
| A3R6                 | 0757-0446      | 3   |     | RESISTOR 15K 1% .125W F TC=0+-100       | 24546    | C4-1/8-TO-1502-F     |
| A3R7                 | 0757-0283      | 6   |     | RESISTOR 2K 1% .125W F TC=0+-100        | 24546    | C4-1/8-TO-2001-F     |
| A3R8                 | 0757-0283      | 6   |     | RESISTOR 2K 1% .125W F TC=0+-100        | 24546    | C4-1/8-TO-2001-F     |
| A3R9                 | 0698-4002      | 9   | 5   | RESISTOR 5K 1% .125W F TC=0+-100        | 24546    | C4-1/8-TO-5001-F     |
| A3R10                | 0757-0389      | 3   | 3   | RESISTOR 33.2 1% .125W F TC=0+-100      | 24546    | C4-1/8-TO-33R2-F     |
| A3R11                | 0757-0283      | 6   |     | RESISTOR 2K 1% .125W F TC=0+-100        | 24546    | C4-1/8-TO-2001-F     |
| A3R12                | 0757-0283      | 6   |     | RESISTOR 2K 1% .125W F TC=0+-100        | 24546    | C4-1/8-TO-2001-F     |
| A3R13                | 0757-0389      | 3   |     | RESISTOR 33.2 1% .125W F TC=0+-100      | 24546    | C4-1/8-TO-33R2-F     |
| A3R14                | 0757-0283      | 6   |     | RESISTOR 2K 1% .125W F TC=0+-100        | 24546    | C4-1/8-TO-2001-F     |
| A3R15                | 0757-0280      | 3   | 2   | RESISTOR 1K 1% .125W F TC=0+-100        | 24546    | C4-1/8-TO-1001-F     |
| A3R16                | 0757-0442      | 9   | 4   | RESISTOR 10K 1% .125W F TC=0+-100       | 24546    | C4-1/8-TO-1002-F     |
| A3R17                | 0757-0280      | 3   |     | RESISTOR 1K 1% .125W F TC=0+-100        | 24546    | C4-1/8-TO-1001-F     |
| A3R18                | 0757-0480      | 5   | 1   | RESISTOR 432K 1% .125W F TC=0+-100      | 19701    | MF4C1/8-TO-4323-F    |
| A3R19                | 0757-0442      | 9   |     | RESISTOR 10K 1% .125W F TC=0+-100       | 24546    | C4-1/8-TO-1002-F     |
| A3R20                | 0757-0462      | 3   | 1   | RESISTOR 75K 1% .125W F TC=0+-100       | 24546    | C4-1/8-TO-7502-F     |
| A3R21                | 0757-0451      | 0   | 1   | RESISTOR 24.3K 1% .125W F TC=0+-100     | 24546    | C4-1/8-TO-2432-F     |
| A3R22                | 0757-0442      | 9   |     | RESISTOR 10K 1% .125W F TC=0+-100       | 24546    | C4-1/8-TO-1002-F     |
| A3R23                | 0698-4439      | 6   | 1   | RESISTOR 3.24K 1% .125W F TC=0+-100     | 24546    | C4-1/8-TO-3241-F     |
| A3R24                | 0698-4002      | 9   |     | RESISTOR 5K 1% .125W F TC=0+-100        | 24546    | C4-1/8-TO-5001-F     |
| A3R25                | 0698-4002      | 9   |     | RESISTOR 5K 1% .125W F TC=0+-100        | 24546    | C4-1/8-TO-5001-F     |
| A3R26                | 0757-0443      | 0   | 1   | RESISTOR 11K 1% .125W F TC=0+-100       | 24546    | C4-1/8-TO-1102-F     |
| A3R27                | 0698-0085      | 0   | 1   | RESISTOR 2.61K 1% .125W F TC=0+-100     | 24546    | C4-1/8-TO-2611-F     |
| A3R28                | 0698-4002      | 9   |     | RESISTOR 5K 1% .125W F TC=0+-100        | 24546    | C4-1/8-TO-5001-F     |
| A3R29                | 0698-4002      | 9   |     | RESISTOR 5K 1% .125W F TC=0+-100        | 24546    | C4-1/8-TO-5001-F     |
| A3R30                | 0757-0442      | 9   |     | RESISTOR 10K 1% .125W F TC=0+-100       | 24546    | C4-1/8-TO-1002-F     |
| A3R31                | 0757-0283      | 6   |     | RESISTOR 2K 1% .125W F TC=0+-100        | 24546    | C4-1/8-TO-2001-F     |
| A3R32                | 0699-1000      | 3   | 2   | RESISTOR-FXD 4.25K OHM .1%              | 28480    | 0699-1000            |
| A3R33                | 0699-1000      | 3   |     | RESISTOR-FXD 4.25K OHM .1%              | 28480    | 0699-1000            |
| A3R34                | 0757-0389      | 3   |     | RESISTOR 33.2 1% .125W F TC=0+-100      | 24546    | C4-1/8-TO-33R2-F     |
| A3R35                | 0698-6360      | 6   | 2   | RESISTOR 10K .1% .125W F TC=0+-25       | 28480    | 0698-6360            |
| A3R36                | 0698-6360      | 6   |     | RESISTOR 10K .1% .125W F TC=0+-25       | 28480    | 0698-6360            |
| A3R37                | 2100-2655      | 1   | 1   | RESISTOR-TRMR 100K 10% C TOP-ADJ 1-TRN  | 73138    | 82PR100K             |
| A3RP1                | 1810-0280      | 8   | 2   | NETWORK-RES 10-SIP10.0K OHM X 9         | 01121    | 210A103              |
| A3RP2                | 1810-0277      | 3   | 1   | NETWORK-RES 10-SIP2.2K OHM X 9          | 01121    | 210A222              |
| A3RP3                | 1810-0280      | 8   |     | NETWORK-RES 10-SIP10.0K OHM X 9         | 01121    | 210A103              |

See introduction to this section for ordering information



Table 6-2. Replaceable Parts (Cont'd)

| Reference Designator | HP Part Number | C D | Qty | Description  | Mfr Code | Mfr Part Number |
|----------------------|----------------|-----|-----|--|----------|-----------------|
| A3                   | 01630-66503    | 6   | 1   | CPU ASSEMBLY<br>SAME AS 01630-66522  | 28480    | 01630-66503     |
| A3                   | 01630-66512    | 7   | 1   | CPU ASSEMBLY<br>SAME AS 01630-66522 EXCEPT:<br>CHANGE A3XU6I QTY TO 1<br>DELETE A3XU6M | 28480    | 01630-66512     |
| A3                   | 01630-66519    | 7   | 1   | CPU ASSEMBLY (1630G ONLY)<br>SAME AS 01630-66522 EXCEPT:                               | 28480    | 01630-66519     |
| A3U3H                | 01630-80027    | 9   | 1   | PROM 3 27128-3   | 28480    | 01630-80027     |
| A3U3I                | 01630-80026    | 8   | 1   | PROM 2 27128-3   | 28480    | 01630-80026     |
| A3U3J                | 01630-80025    | 7   | 1   | PROM 1 27128-3   | 28480    | 01630-80025     |
| A3U3K                | 01630-80024    | 6   | 1   | PROM 0 27128-3   | 28480    | 01630-80024     |
| A3U4H                | 01630-80031    | 5   | 1   | PROM 7 27128-3   | 28480    | 01630-80031     |
| A3U4I                | 01630-80030    | 4   | 1   | PROM 6 27128-3   | 28480    | 01630-80030     |
| A3U4J                | 01630-80029    | 1   | 1   | PROM 5 27128-3   | 28480    | 01630-80029     |
| A3U4K                | 01630-80028    | 0   | 1   | PROM 4 27128-3   | 28480    | 01630-80028     |
| A3                   | 01630-66522    | 9   | 1   | CPU ASSEMBLY   | 28480    | 01630-66522     |
| A3C1                 | 0160-5311      | 6   | 2   | CAPACITOR-FXD 330PF +-5% 100VDC CER  | 28480    | 0160-5311       |
| A3C2                 | 0160-5311      | 6   | 40  | CAPACITOR-FXD 330PF +-5% 100VDC CER  | 28480    | 0160-5311       |
| A3C3                 | 0160-5298      | 8   | 40  | CAPACITOR-FXD .01UF +-20% 100VDC CER   | 28480    | 0160-5298       |
| A3C4                 | 0160-5298      | 8   | 40  | CAPACITOR-FXD .01UF +-20% 100VDC CER   | 28480    | 0160-5298       |
| A3C5                 | 0160-5298      | 8   | 40  | CAPACITOR-FXD .01UF +-20% 100VDC CER   | 28480    | 0160-5298       |
| A3C6                 | 0160-5298      | 8   | 40  | CAPACITOR-FXD .01UF +-20% 100VDC CER   | 28480    | 0160-5298       |
| A3C7                 | 0160-5298      | 8   | 40  | CAPACITOR-FXD .01UF +-20% 100VDC CER   | 28480    | 0160-5298       |
| A3C8                 | 0160-5298      | 8   | 40  | CAPACITOR-FXD .01UF +-20% 100VDC CER   | 28480    | 0160-5298       |
| A3C9                 | 0160-5298      | 8   | 40  | CAPACITOR-FXD .01UF +-20% 100VDC CER   | 28480    | 0160-5298       |
| A3C10                | 0160-5298      | 8   | 40  | CAPACITOR-FXD .01UF +-20% 100VDC CER   | 28480    | 0160-5298       |
| A3C11                | 0160-5298      | 8   | 6   | CAPACITOR-FXD .01UF +-20% 100VDC CER   | 28480    | 0160-5298       |
| A3C12                | 0160-5474      | 2   | 6   | CAPACITOR-FXD .1UF 100VDC  | 28480    | 0160-5474       |
| A3C13                | 0160-5298      | 8   | 6   | CAPACITOR-FXD .01UF +-20% 100VDC CER   | 28480    | 0160-5298       |
| A3C14                | 0160-5298      | 8   | 6   | CAPACITOR-FXD .01UF +-20% 100VDC CER   | 28480    | 0160-5298       |
| A3C15                | 0160-5298      | 8   | 6   | CAPACITOR-FXD .01UF +-20% 100VDC CER   | 28480    | 0160-5298       |
| A3C16                | 0160-5298      | 8   | 7   | CAPACITOR-FXD .01UF +-20% 100VDC CER   | 28480    | 0160-5298       |
| A3C17                | 0160-5298      | 8   | 7   | CAPACITOR-FXD .01UF +-20% 100VDC CER   | 28480    | 0160-5298       |
| A3C18                | 0160-5298      | 8   | 7   | CAPACITOR-FXD .01UF +-20% 100VDC CER   | 28480    | 0160-5298       |
| A3C19                | 0160-5298      | 8   | 7   | CAPACITOR-FXD .01UF +-20% 100VDC CER   | 28480    | 0160-5298       |
| A3C20                | 0160-5298      | 8   | 7   | CAPACITOR-FXD .01UF +-20% 100VDC CER   | 28480    | 0160-5298       |
| A3C21                | 0160-5298      | 8   | 7   | CAPACITOR-FXD .01UF +-20% 100VDC CER   | 28480    | 0160-5298       |
| A3C22                | 0160-5298      | 8   | 7   | CAPACITOR-FXD .01UF +-20% 100VDC CER   | 28480    | 0160-5298       |
| A3C23                | 0160-5298      | 8   | 7   | CAPACITOR-FXD .01UF +-20% 100VDC CER   | 28480    | 0160-5298       |
| A3C24                | 0160-5298      | 8   | 7   | CAPACITOR-FXD .01UF +-20% 100VDC CER   | 28480    | 0160-5298       |
| A3C25                | 0160-5298      | 8   | 7   | CAPACITOR-FXD .01UF +-20% 100VDC CER   | 28480    | 0160-5298       |
| A3C26                | 0160-3508      | 9   | 7   | CAPACITOR-FXD 1UF +80-20% 50VDC CER  | 28480    | 0160-3508       |
| A3C27                | 0160-5298      | 8   | 7   | CAPACITOR-FXD .01UF +-20% 100VDC CER   | 28480    | 0160-5298       |
| A3C28                | 0160-5298      | 8   | 7   | CAPACITOR-FXD .01UF +-20% 100VDC CER   | 28480    | 0160-5298       |
| A3C29                | 0160-5298      | 8   | 7   | CAPACITOR-FXD .01UF +-20% 100VDC CER   | 28480    | 0160-5298       |
| A3C30                | 0160-5298      | 8   | 7   | CAPACITOR-FXD .01UF +-20% 100VDC CER   | 28480    | 0160-5298       |
| A3C31                | 0160-5298      | 8   | 7   | CAPACITOR-FXD .01UF +-20% 100VDC CER   | 28480    | 0160-5298       |
| A3C32                | 0160-5298      | 8   | 7   | CAPACITOR-FXD .01UF +-20% 100VDC CER   | 28480    | 0160-5298       |
| A3C33                | 0160-5298      | 8   | 7   | CAPACITOR-FXD .01UF +-20% 100VDC CER   | 28480    | 0160-5298       |
| A3C34                | 0160-3508      | 9   | 7   | CAPACITOR-FXD 1UF +80-20% 50VDC CER  | 28480    | 0160-3508       |
| A3C35                | 0160-5298      | 8   | 7   | CAPACITOR-FXD .01UF +-20% 100VDC CER   | 28480    | 0160-5298       |
| A3C36                | 0160-5474      | 2   | 7   | CAPACITOR-FXD .1UF 100VDC  | 28480    | 0160-5474       |
| A3C37                | 0160-5474      | 2   | 7   | CAPACITOR-FXD .1UF 100VDC  | 28480    | 0160-5474       |
| A3C38                | 0160-5474      | 2   | 7   | CAPACITOR-FXD .1UF 100VDC  | 28480    | 0160-5474       |
| A3C39                | 0160-3508      | 9   | 7   | CAPACITOR-FXD 1UF +80-20% 50VDC CER  | 28480    | 0160-3508       |
| A3C40                | 0160-5474      | 2   | 7   | CAPACITOR-FXD .1UF 100VDC  | 28480    | 0160-5474       |
| A3C41                | 0160-5474      | 2   | 7   | CAPACITOR-FXD .1UF 100VDC  | 28480    | 0160-5474       |
| A3C42                | 0160-5298      | 8   | 7   | CAPACITOR-FXD .01UF +-20% 100VDC CER   | 28480    | 0160-5298       |
| A3C43                | 0160-5298      | 8   | 7   | CAPACITOR-FXD .01UF +-20% 100VDC CER   | 28480    | 0160-5298       |
| A3C44                | 0160-5298      | 8   | 7   | CAPACITOR-FXD .01UF +-20% 100VDC CER   | 28480    | 0160-5298       |
| A3C45                | 0160-5298      | 8   | 7   | CAPACITOR-FXD .01UF +-20% 100VDC CER   | 28480    | 0160-5298       |
| A3C46                | 0160-5298      | 8   | 7   | CAPACITOR-FXD .01UF +-20% 100VDC CER   | 28480    | 0160-5298       |
| A3C47                | 0160-5298      | 8   | 7   | CAPACITOR-FXD .01UF +-20% 100VDC CER   | 28480    | 0160-5298       |
| A3C48                | 0160-5298      | 8   | 7   | CAPACITOR-FXD .01UF +-20% 100VDC CER   | 28480    | 0160-5298       |
| A3C49                | 0160-5298      | 8   | 7   | CAPACITOR-FXD .01UF +-20% 100VDC CER   | 28480    | 0160-5298       |
| A3C50                | 0160-5298      | 8   | 7   | CAPACITOR-FXD .01UF +-20% 100VDC CER   | 28480    | 0160-5298       |

See introduction to this section for ordering information

Table 6-2. Replaceable Parts (Cont'd)

| Reference Designator | HP Part Number | C D | Qty | Description                             | Mfr Code | Mfr Part Number      |
|----------------------|----------------|-----|-----|---|----------|----------------------|
| A3C51                | 0160-3508      | 9   |     | CAPACITOR-FXD 1UF +80-20% 50VDC CER     | 28480    | 0160-3508            |
| A3C52                | 0160-3508      | 9   |     | CAPACITOR-FXD 1UF +80-20% 50VDC CER     | 28480    | 0160-3508            |
| A3C53                | 0160-5298      | 8   |     | CAPACITOR-FXD .01UF +-20% 100VDC CER    | 28480    | 0160-5298            |
| A3C54                | 0160-3508      | 9   |     | CAPACITOR-FXD 1UF +80-20% 50VDC CER     | 28480    | 0160-3508            |
| A3C55                | 0160-3508      | 9   |     | CAPACITOR-FXD 1UF +80-20% 50VDC CER     | 28480    | 0160-3508            |
| A3C56                |                |     |     | NOT USED                                |          |                      |
| A3C57                | 0180-0229      | 7   | 3   | CAPACITOR-FXD 33UF+-10% 10VDC TA        | 56289    | 150D336X9010B2       |
| A3C58                | 0180-0229      | 7   |     | CAPACITOR-FXD 33UF+-10% 10VDC TA        | 56289    | 150D336X9010B2       |
| A3C59                | 0180-0229      | 7   |     | CAPACITOR-FXD 33UF+-10% 10VDC TA        | 56289    | 150D336X9010B2       |
| A3C60                | 0180-0374      | 3   | 1   | CAPACITOR-FXD 10UF+-10% 20VDC TA        | 56289    | 150D106X9020B2       |
| A3C61                | 0180-0228      | 6   | 2   | CAPACITOR-FXD 22UF+-10% 15VDC TA        | 56289    | 150D226X9015B2       |
| A3C62                | 0180-0228      | 6   |     | CAPACITOR-FXD 22UF+-10% 15VDC TA        | 56289    | 150D226X9015B2       |
| A3CR1                | 1902-0186      | 8   | 4   | DIODE-ZNR 32.4V 5% DO-35 PD=.4W         | 28480    | 1902-0186            |
| A3CR2                | 1902-0186      | 8   |     | DIODE-ZNR 32.4V 5% DO-35 PD=.4W         | 28480    | 1902-0186            |
| A3CR3                | 1902-0186      | 8   |     | DIODE-ZNR 32.4V 5% DO-35 PD=.4W         | 28480    | 1902-0186            |
| A3CR4                | 1902-0186      | 8   |     | DIODE-ZNR 32.4V 5% DO-35 PD=.4W         | 28480    | 1902-0186            |
| A3H1                 | 0515-0211      | 8   | 4   | SCREW-MACH M3 X 0.5 6MM-LG PAN-HD       | 00000    | ORDER BY DESCRIPTION |
| A3H2                 | 0624-0306      | 3   | 2   | SCREW-TPG 2-28 .5-IN-LG PAN-HD-POZI STL | 28480    | 0624-0306            |
| A3H3                 | 01630-01208    | 2   | 1   | GROUND BRACKET                          | 28480    | 01630-01208          |
| A3J1                 | 1250-1774      | 9   | 2   | CONNECTOR-RF BNC FEM SPCL-MTG 50-OHM    | 28480    | 1250-1774            |
| A3J2                 | 1251-7162      | 3   | 1   | CONNECTOR 24-PIN F MICRO-RIBBON         | 28480    | 1251-7162            |
| A3J3                 | 82169-60007    | 3   | 1   | CONNECTOR HP-IL                         | 28480    | 82169-60007          |
| A3J4                 | 1250-1774      | 9   |     | CONNECTOR-RF BNC FEM SPCL-MTG 50-OHM    | 28480    | 1250-1774            |
| A3J5                 | 1251-7666      | 2   | 1   | CONNECTOR-16 PIN                        | 28480    | 1251-7666            |
| A3J6                 | 1251-7664      | 0   | 1   | CONNECTOR-14 PIN                        | 28480    | 1251-7664            |
| A3LS1                | 9164-0209      | 8   | 1   | AUDIO TRANSDUCER                        | 28480    | 9164-0209            |
| A3MP1                | 01630-01204    | 8   | 1   | BRACKET - HP-IL                         | 28480    | 01630-01204          |
| A3MP2                | 1251-5595      | 2   | 2   | POLARIZING KEY-POST CONN                | 28480    | 1251-5595            |
| A3MP3                | 1251-5595      | 2   |     | POLARIZING KEY-POST CONN                | 28480    | 1251-5595            |
| A3P1                 | 1251-7868      | 6   | 1   | CONNECTOR-100 CONTACT (FEMALE)          | 28480    | 1251-7868            |
| A3R1                 | 0757-0283      | 6   | 8   | RESISTOR 2K 1% .125W F TC=0+-100        | 24546    | C4-1/8-TO-2001-F     |
| A3R2                 | 0757-0283      | 6   |     | RESISTOR 2K 1% .125W F TC=0+-100        | 24546    | C4-1/8-TO-2001-F     |
| A3R3                 | 0757-0446      | 3   | 2   | RESISTOR 15K 1% .125W F TC=0+-100       | 24546    | C4-1/8-TO-1502-F     |
| A3R4                 | 0698-3446      | 3   | 2   | RESISTOR 383 1% .125W F TC=0+-100       | 24546    | C4-1/8-TO-383R-F     |
| A3R5                 | 0698-3446      | 3   |     | RESISTOR 383 1% .125W F TC=0+-100       | 24546    | C4-1/8-TO-383R-F     |
| A3R6                 | 0757-0446      | 3   |     | RESISTOR 15K 1% .125W F TC=0+-100       | 24546    | C4-1/8-TO-1502-F     |
| A3R7                 | 0757-0283      | 6   |     | RESISTOR 2K 1% .125W F TC=0+-100        | 24546    | C4-1/8-TO-2001-F     |
| A3R8                 | 0757-0283      | 6   |     | RESISTOR 2K 1% .125W F TC=0+-100        | 24546    | C4-1/8-TO-2001-F     |
| A3R9                 | 0698-4002      | 9   | 5   | RESISTOR 5K 1% .125W F TC=0+-100        | 24546    | C4-1/8-TO-5001-F     |
| A3R10                | 0757-0389      | 3   | 3   | RESISTOR 33.2 1% .125W F TC=0+-100      | 24546    | C4-1/8-TO-33R2-F     |
| A3R11                | 0757-0283      | 6   |     | RESISTOR 2K 1% .125W F TC=0+-100        | 24546    | C4-1/8-TO-2001-F     |
| A3R12                | 0757-0283      | 6   |     | RESISTOR 2K 1% .125W F TC=0+-100        | 24546    | C4-1/8-TO-2001-F     |
| A3R13                | 0757-0389      | 3   |     | RESISTOR 33.2 1% .125W F TC=0+-100      | 24546    | C4-1/8-TO-33R2-F     |
| A3R14                | 0757-0283      | 6   |     | RESISTOR 2K 1% .125W F TC=0+-100        | 24546    | C4-1/8-TO-2001-F     |
| A3R15                | 0757-0280      | 3   | 2   | RESISTOR 1K 1% .125W F TC=0+-100        | 24546    | C4-1/8-TO-1001-F     |
| A3R16                | 0757-0442      | 9   | 4   | RESISTOR 10K 1% .125W F TC=0+-100       | 24546    | C4-1/8-TO-1002-F     |
| A3R17                | 0757-0280      | 3   |     | RESISTOR 1K 1% .125W F TC=0+-100        | 24546    | C4-1/8-TO-1001-F     |
| A3R18                | 0757-0480      | 5   | 1   | RESISTOR 432K 1% .125W F TC=0+-100      | 19701    | MF4C1/8-TO-4323-F    |
| A3R19                | 0757-0442      | 9   |     | RESISTOR 10K 1% .125W F TC=0+-100       | 24546    | C4-1/8-TO-1002-F     |
| A3R20                | 0757-0462      | 3   | 1   | RESISTOR 75K 1% .125W F TC=0+-100       | 24546    | C4-1/8-TO-7502-F     |
| A3R21                | 0757-0451      | 0   | 1   | RESISTOR 24.3K 1% .125W F TC=0+-100     | 24546    | C4-1/8-TO-2432-F     |
| A3R22                | 0757-0442      | 9   |     | RESISTOR 10K 1% .125W F TC=0+-100       | 24546    | C4-1/8-TO-1002-F     |
| A3R23                | 0698-4439      | 6   | 1   | RESISTOR 3.24K 1% .125W F TC=0+-100     | 24546    | C4-1/8-TO-3241-F     |
| A3R24                | 0698-4002      | 9   |     | RESISTOR 5K 1% .125W F TC=0+-100        | 24546    | C4-1/8-TO-5001-F     |
| A3R25                | 0698-4002      | 9   |     | RESISTOR 5K 1% .125W F TC=0+-100        | 24546    | C4-1/8-TO-5001-F     |
| A3R26                | 0757-0443      | 0   | 1   | RESISTOR 11K 1% .125W F TC=0+-100       | 24546    | C4-1/8-TO-1102-F     |
| A3R27                | 0698-0085      | 0   | 1   | RESISTOR 2.61K 1% .125W F TC=0+-100     | 24546    | C4-1/8-TO-2611-F     |
| A3R28                | 0698-4002      | 9   |     | RESISTOR 5K 1% .125W F TC=0+-100        | 24546    | C4-1/8-TO-5001-F     |
| A3R29                | 0698-4002      | 9   |     | RESISTOR 5K 1% .125W F TC=0+-100        | 24546    | C4-1/8-TO-5001-F     |
| A3R30                | 0757-0442      | 9   |     | RESISTOR 10K 1% .125W F TC=0+-100       | 24546    | C4-1/8-TO-1002-F     |
| A3R31                | 0757-0283      | 6   |     | RESISTOR 2K 1% .125W F TC=0+-100        | 24546    | C4-1/8-TO-2001-F     |
| A3R32                | 0699-1000      | 3   | 2   | RESISTOR-FXD 4.25K OHM .1%              | 28480    | 0699-1000            |
| A3R33                | 0699-1000      | 3   |     | RESISTOR-FXD 4.25K OHM .1%              | 28480    | 0699-1000            |
| A3R34                | 0757-0389      | 3   |     | RESISTOR 33.2 1% .125W F TC=0+-100      | 24546    | C4-1/8-TO-33R2-F     |
| A3R35                | 0698-6360      | 6   | 2   | RESISTOR 10K .1% .125W F TC=0+-25       | 28480    | 0698-6360            |
| A3R36                | 0698-6360      | 6   |     | RESISTOR 10K .1% .125W F TC=0+-25       | 28480    | 0698-6360            |
| A3R37                | 2100-2655      | 1   | 1   | RESISTOR-TRMR 100K 10% C TOP-ADJ 1-TRN  | 73138    | 82PR100K             |
| A3RP1                | 1810-0280      | 8   | 2   | NETWORK-RES 10-SIP10.0K OHM X 9         | 01121    | 210A103              |
| A3RP2                | 1810-0277      | 3   | 1   | NETWORK-RES 10-SIP2.2K OHM X 9          | 01121    | 210A222              |
| A3RP3                | 1810-0280      | 8   |     | NETWORK-RES 10-SIP10.0K OHM X 9         | 01121    | 210A103              |

See introduction to this section for ordering information

Table 6-2. Replaceable Parts (Cont'd)

| Reference Designator | HP Part Number | C D | Qty | Description                              | Mfr Code | Mfr Part Number |
|----------------------|----------------|-----|-----|--|----------|-----------------|
| A3RP4                | 1810-0382      | 1   | 2   | NETWORK-RES 10-SIP100.0 OHM X 9          | 01121    | 210A101         |
| A3RP5                | 1810-0382      | 1   |     | NETWORK-RES 10-SIP100.0 OHM X 9          | 01121    | 210A101         |
| A3RP6                | 1810-0273      | 9   | 1   | NETWORK-RES 10-SIP470.0 OHM X 9          | 01121    | 210A471         |
| A3SW1                | 3101-2243      | 6   | 1   | SWITCH-RKR DIP-RKR-ASSY 8-1A .05A 30VDC  | 28480    | 3101-2243       |
| A3TP                 | 1251-5395      | 0   | 1   | CONNECTOR 5-PIN M POST TYPE              | 28480    | 1251-5395       |
| A3U1E                | 1820-2024      | 3   | 8   | IC DRVR TTL LS LINE DRVR OCTL            | 01295    | SN74LS244N      |
| A3U1H                | 1820-2485      | 0   | 1   | IC RCVR TTL LS BUS OCTL                  | 01295    | SN75160N        |
| A3U1I                | 1820-2547      | 5   | 1   | IC RCVR TTL LS OCTL                      | 01295    | SN75162N        |
| A3U1J                | 1820-1198      | 0   | 2   | IC GATE TTL LS NAND QUAD 2-INP           | 01295    | SN74LS03N       |
| A3U1K                | 1820-1198      | 0   |     | IC GATE TTL LS NAND QUAD 2-INP           | 01295    | SN74LS03N       |
| A3U1L                | 1820-1730      | 6   | 7   | IC FF TTL LS D-TYPE POS-EDGE-TRIG COM    | 01295    | SN74LS273N      |
| A3U1M                | 1820-2024      | 3   |     | IC DRVR TTL LS LINE DRVR OCTL            | 01295    | SN74LS244N      |
| A3U2A                | 1820-2701      | 3   | 2   | IC FF TTL F D-TYPE POS-EDGE-TRIG COM     | 07263    | 74F374PC        |
| A3U2B                | 1820-1322      | 2   | 1   | IC GATE TTL S NOR QUAD 2-INP             | 01295    | SN74S02N        |
| A3U2C                | 1820-0693      | 8   | 2   | IC FF TTL S D-TYPE POS-EDGE-TRIG         | 01295    | SN74S74N        |
| A3U2D                | 1820-0681      | 4   | 2   | IC GATE TTL S NAND QUAD 2-INP            | 01295    | SN74S00N        |
| A3U2E                | 1820-1158      | 2   | 1   | IC GATE TTL S AND-OR-INV DUAL 2-INP      | 01295    | SN74S51N        |
| A3U2G                | 1820-2548      | 6   | 1   | IC-TMS 9914                              | 28480    | 1820-2548       |
| A3U3A                | 1818-3005      | 7   | 8   | IC NMOS 65536 (64K) DYN RAM 150-NS 3-S   | 50167    | 1818-3005       |
| A3U3B                | 1818-3005      | 7   |     | IC NMOS 65536 (64K) DYN RAM 150-NS 3-S   | 50167    | 1818-3005       |
| A3U3C                | 1818-3005      | 7   |     | IC NMOS 65536 (64K) DYN RAM 150-NS 3-S   | 50167    | 1818-3005       |
| A3U3D                | 1818-3005      | 7   |     | IC NMOS 65536 (64K) DYN RAM 150-NS 3-S   | 50167    | 1818-3005       |
| A3U3E                | 1820-1199      | 1   | 3   | IC INV TTL LS HEX 1-INP                  | 01295    | SN74LS04N       |
| A3U3F                | 1820-2096      | 9   | 2   | IC CNTR TTL LS BIN DUAL 4-BIT            | 07263    | 74LS393PC       |
| A3U3H                | 01630-80011    | 1   | 1   | PROM 3 D2764-3                           | 28480    | 01630-80011     |
| A3U3I                | 01630-80010    | 0   | 1   | PROM 2 D2764-3                           | 28480    | 01630-80010     |
| A3U3J                | 01630-80009    | 7   | 1   | PROM 1 D2764-3                           | 28480    | 01630-80009     |
| A3U3K                | 01630-80008    | 6   | 1   | PROM 0 D2764-3                           | 28480    | 01630-80008     |
| A3U3N                | 1820-2024      | 3   |     | IC DRVR TTL LS LINE DRVR OCTL            | 01295    | SN74LS244N      |
| A3U3O                | 1820-1240      | 3   | 3   | IC DCDR TTL S 3-TO-8-LINE 3-INP          | 01295    | SN74S138N       |
| A3U3P                | 1820-1199      | 1   |     | IC INV TTL LS HEX 1-INP                  | 01295    | SN74LS04N       |
| A3U4A                | 1818-3005      | 7   |     | IC NMOS 65536 (64K) DYN RAM 150-NS 3-S   | 50167    | 1818-3005       |
| A3U4B                | 1818-3005      | 7   |     | IC NMOS 65536 (64K) DYN RAM 150-NS 3-S   | 50167    | 1818-3005       |
| A3U4C                | 1818-3005      | 7   |     | IC NMOS 65536 (64K) DYN RAM 150-NS 3-S   | 50167    | 1818-3005       |
| A3U4D                | 1818-3005      | 7   |     | IC NMOS 65536 (64K) DYN RAM 150-NS 3-S   | 50167    | 1818-3005       |
| A3U4F                | 1820-2096      | 9   |     | IC CNTR TTL LS BIN DUAL 4-BIT            | 07263    | 74LS393PC       |
| A3U4G                | 1820-1278      | 7   | 1   | IC CNTR TTL LS BIN UP/DOWN SYNCHRO       | 01295    | SN74LS191N      |
| A3U4H                | 01630-80015    | 5   | 1   | PROM 7 D2764-3                           | 28480    | 01630-80015     |
| A3U4I                | 01630-80014    | 4   | 1   | PROM 6 D2764-3                           | 28480    | 01630-80014     |
| A3U4J                | 01630-80013    | 3   | 1   | PROM 5 D2764-3                           | 28480    | 01630-80013     |
| A3U4K                | 01630-80012    | 2   | 1   | PROM 4 D2764-3                           | 28480    | 01630-80012     |
| A3U4N                | 1820-1216      | 3   | 2   | IC DCDR TTL LS 3-TO-8-LINE 3-INP         | 01295    | SN74LS138N      |
| A3U4O                | 1820-1238      | 9   | 3   | IC MUXR/DATA-SEL TTL LS 4-TO-1-LINE DUAL | 01295    | SN74LS253N      |
| A3U4P                | 1820-1238      | 9   |     | IC MUXR/DATA-SEL TTL LS 4-TO-1-LINE DUAL | 01295    | SN74LS253N      |
| A3U4Q                | 1820-1238      | 9   |     | IC MUXR/DATA-SEL TTL LS 4-TO-1-LINE DUAL | 01295    | SN74LS253N      |
| A3U5A                | 1820-1730      | 6   |     | IC FF TTL LS D-TYPE POS-EDGE-TRIG COM    | 01295    | SN74LS273N      |
| A3U5B                | 1820-2701      | 3   |     | IC FF TTL F D-TYPE POS-EDGE-TRIG COM     | 07263    | 74F374PC        |
| A3U5C                | 1820-2024      | 3   |     | IC DRVR TTL LS LINE DRVR OCTL            | 01295    | SN74LS244N      |
| A3U5E                | 1820-1439      | 2   | 2   | IC MUXR/DATA-SEL TTL LS 2-TO-1-LINE      | 01295    | SN74LS258AN     |
| A3U5F                | 1820-1309      | 5   | 4   | IC MUXR/DATA-SEL TTL S 2-TO-1-LINE QUAD  | 01295    | SN74S258N       |
| A3U5G                | 1820-1309      | 5   |     | IC MUXR/DATA-SEL TTL S 2-TO-1-LINE QUAD  | 01295    | SN74S258N       |
| A3U5J                | 1820-2024      | 3   |     | IC DRVR TTL LS LINE DRVR OCTL            | 01295    | SN74LS244N      |
| A3U5N                | 1820-1240      | 3   |     | IC DCDR TTL S 3-TO-8-LINE 3-INP          | 01295    | SN74S138N       |
| A3U5O                | 1820-1730      | 6   |     | IC FF TTL LS D-TYPE POS-EDGE-TRIG COM    | 01295    | SN74LS273N      |
| A3U5P                | 1820-1730      | 6   |     | IC FF TTL LS D-TYPE POS-EDGE-TRIG COM    | 01295    | SN74LS273N      |
| A3U5Q                | 1820-1730      | 6   |     | IC FF TTL LS D-TYPE POS-EDGE-TRIG COM    | 01295    | SN74LS273N      |
| A3U6A                | 1820-2024      | 3   |     | IC DRVR TTL LS LINE DRVR OCTL            | 01295    | SN74LS244N      |
| A3U6B                | 1820-1457      | 4   | 1   | IC SHF-RGTR TTL S D-TYPE PRL-IN PRL-OUT  | 01295    | SN74S299N       |
| A3U6C                | 1818-3074      | 0   | 1   | IC MEMORY ROM                            | 28480    | 1818-3074       |
| A3U6D                | 1820-2853      | 6   | 1   | IC-MC68A45L                              | 28480    | 1820-2853       |
| A3U6E                | 1820-1439      | 2   |     | IC MUXR/DATA-SEL TTL LS 2-TO-1-LINE      | 01295    | SN74LS258AN     |
| A3U6F                | 1820-1309      | 5   |     | IC MUXR/DATA-SEL TTL S 2-TO-1-LINE QUAD  | 01295    | SN74S258N       |
| A3U6G                | 1820-1309      | 5   |     | IC MUXR/DATA-SEL TTL S 2-TO-1-LINE QUAD  | 01295    | SN74S258N       |
| A3U6I                | 1820-2854      | 7   | 1   | IC-MPU MC68B09EL                         | 28480    | 1820-2854       |
| A3U6J                | 1820-2102      | 8   | 1   | IC LCH TTL LS D-TYPE OCTL                | 01295    | SN74LS373N      |
| A3U6L                | 1820-2911      | 7   | 1   | IC-MMU MC68829L                          | 28480    | 1820-2911       |
| A3U6M                | 1820-2604      | 5   | 1   | IC NMOS 16-BIT                           | 34335    | AM9513CC        |
| A3U6N                | 1820-1240      | 3   |     | IC DCDR TTL S 3-TO-8-LINE 3-INP          | 01295    | SN74S138N       |
| A3U6O                | 1820-1730      | 6   |     | IC FF TTL LS D-TYPE POS-EDGE-TRIG COM    | 01295    | SN74LS273N      |
| A3U6P                | 1820-1730      | 6   |     | IC FF TTL LS D-TYPE POS-EDGE-TRIG COM    | 01295    | SN74LS273N      |
| A3U7A                | 1820-1112      | 8   | 3   | IC FF TTL LS D-TYPE POS-EDGE-TRIG        | 01295    | SN74LS74AN      |

See introduction to this section for ordering information

Table 6-2. Replaceable Parts (Cont'd)

| Reference Designator | HP Part Number | C D | Qty | Description                             | Mfr Code | Mfr Part Number |
|----------------------|----------------|-----|-----|---|----------|-----------------|
| A3U7B                | 1820-0685      | 8   | 1   | IC GATE TTL S NAND TPL 3-INP            | 01295    | SN74S10N        |
| A3U7C                | 1820-1191      | 3   | 3   | IC FF TTL S D-TYPE POS-EDGE-TRIG COM    | 01295    | SN74S175N       |
| A3U7D                | 1820-0694      | 9   | 1   | IC GATE TTL S EXCL-OR QUAD 2-INP        | 01295    | SN74S86N        |
| A3U7F                | 1820-1191      | 3   |     | IC FF TTL S D-TYPE POS-EDGE-TRIG COM    | 01295    | SN74S175N       |
| A3U7G                | 1820-1199      | 1   |     | IC INV TTL LS HEX 1-INP                 | 01295    | SN74LS04N       |
| A3U7H                | 1820-1210      | 7   | 1   | IC GATE TTL LS AND-OR-INV DUAL 2-INP    | 01295    | SN74LS51N       |
| A3U7I                | 1820-1197      | 9   | 1   | IC GATE TTL LS NAND QUAD 2-INP          | 01295    | SN74LS00N       |
| A3U7K                | 1820-2024      | 3   |     | IC DRVR TTL LS LINE DRVR OCTL           | 01295    | SN74LS244N      |
| A3U7L                | 1820-2024      | 3   |     | IC DRVR TTL LS LINE DRVR OCTL           | 01295    | SN74LS244N      |
| A3U7M                | 1820-1173      | 1   | 5   | IC XLTR ECL TTL-TO-ECL QUAD 2-INP       | 04713    | MC10124L        |
| A3U7N                | 1820-1112      | 8   |     | IC FF TTL LS D-TYPE POS-EDGE-TRIG       | 01295    | SN74LS74AN      |
| A3U7O                | 1826-0609      | 8   | 1   | IC MULTIPLXR ANLG 16-DIP-C PKG          | 06665    | MUX08FQ         |
| A3U7P                | 1826-0138      | 8   | 1   | IC COMPARATOR GP QUAD 14-DIP-P PKG      | 01295    | LM339N          |
| A3U8C                | 1820-0693      | 8   |     | IC FF TTL S D-TYPE POS-EDGE-TRIG        | 01295    | SN74S74N        |
| A3U8D                | 1820-1201      | 6   | 1   | IC GATE TTL LS AND QUAD 2-INP           | 01295    | SN74LS08N       |
| A3U8F                | 1820-1191      | 3   |     | IC FF TTL S D-TYPE POS-EDGE-TRIG COM    | 01295    | SN74S175N       |
| A3U8G                | 1820-1204      | 9   | 1   | IC GATE TTL LS NAND DUAL 4-INP          | 01295    | SN74LS20N       |
| A3U8H                | 1820-1287      | 8   | 1   | IC BFR TTL LS NAND QUAD 2-INP           | 01295    | SN74LS37N       |
| A3U8I                | 1820-0697      | 2   | 1   | IC DRVR TTL S NAND LINE DUAL 4-INP      | 01295    | SN74S140N       |
| A3U8J                | 1820-1052      | 5   | 3   | IC XLTR ECL ECL-TO-TTL QUAD 2-INP       | 04713    | MC10125L        |
| A3U8K                | 1820-1052      | 5   |     | IC XLTR ECL ECL-TO-TTL QUAD 2-INP       | 04713    | MC10125L        |
| A3U8L                | 1820-1173      | 1   |     | IC XLTR ECL TTL-TO-ECL QUAD 2-INP       | 04713    | MC10124L        |
| A3U8O                | 1826-0753      | 3   | 2   | IC OP AMP LOW-BIAS-H-IMPD QUAD 14-DIP-C | 04713    | MC34004BL       |
| A3U8Q                | 1826-0753      | 3   |     | IC OP AMP LOW-BIAS-H-IMPD QUAD 14-DIP-C | 04713    | MC34004BL       |
| A3U9D                | 1820-1112      | 8   |     | IC FF TTL LS D-TYPE POS-EDGE-TRIG       | 01295    | SN74LS74AN      |
| A3U9E                | 1820-2150      | 6   | 1   | IC MICPROC-ACCESS NMOS                  | 34649    | D8279-5         |
| A3U9F                | 1820-1216      | 3   |     | IC DCDR TTL LS 3-TO-8-LINE 3-INP        | 01295    | SN74LS138N      |
| A3U9G                | 1820-0681      | 4   |     | IC GATE TTL S NAND QUAD 2-INP           | 01295    | SN74S00N        |
| A3U9H                | 1820-1445      | 0   | 1   | IC LCH TTL LS 4-BIT                     | 01295    | SN74LS375N      |
| A3U9I                | 1820-1173      | 1   |     | IC XLTR ECL TTL-TO-ECL QUAD 2-INP       | 04713    | MC10124L        |
| A3U9J                | 1820-1173      | 1   |     | IC XLTR ECL TTL-TO-ECL QUAD 2-INP       | 04713    | MC10124L        |
| A3U9K                | 1820-1052      | 5   |     | IC XLTR ECL ECL-TO-TTL QUAD 2-INP       | 04713    | MC10125L        |
| A3U9L                | 1820-1173      | 1   |     | IC XLTR ECL TTL-TO-ECL QUAD 2-INP       | 04713    | MC10124L        |
| A3U9M                | 1820-1990      | 0   | 1   | IC GATE ECL NOR QUAD 2-INP              | 04713    | MC10100L        |
| A3U9N                | 1826-0856      | 7   | 1   | IC CONV 8-B-D/A 20-DIP-P PKG            | 34335    | AM6080APC       |
| A3U100               | 1826-0718      | 0   | 1   | IC-MC1404                               | 28480    | 1826-0718       |
| A3UR4E               | 1810-0301      | 4   | 1   | NETWORK-RES 16-DIP51.0 OHM X 8          | 01121    | 316B510         |
| A3UR90               | 1810-0613      | 1   | 5   | RESISTIVE NETWORK                       | 28480    | 1810-0613       |
| A3UR9P               | 1810-0613      | 1   |     | RESISTIVE NETWORK                       | 28480    | 1810-0613       |
| A3UR9Q               | 1810-0613      | 1   |     | RESISTIVE NETWORK                       | 28480    | 1810-0613       |
| A3UR10P              | 1810-0613      | 1   |     | RESISTIVE NETWORK                       | 28480    | 1810-0613       |
| A3UR10Q              | 1810-0613      | 1   |     | RESISTIVE NETWORK                       | 28480    | 1810-0613       |
| A3UT1                | 9100-4226      | 3   | 1   | TRANSFORMER                             | 28480    | 9100-4226       |
| A3UY1D               | 1813-0275      | 7   | 1   | OSCILLATOR-40 MHZ                       | 28480    | 1813-0275       |
| A3UY6Q               | 1813-0174      | 5   | 1   | OSCILLATOR-4.00 MHZ                     | 28480    | 1813-0174       |
| A3XU3H               | 1200-0567      | 1   | 8   | SOCKET-IC 28-CONT DIP DIP-SLDR          | 28480    | 1200-0567       |
| A3XU3I               | 1200-0567      | 1   |     | SOCKET-IC 28-CONT DIP DIP-SLDR          | 28480    | 1200-0567       |
| A3XU3J               | 1200-0567      | 1   |     | SOCKET-IC 28-CONT DIP DIP-SLDR          | 28480    | 1200-0567       |
| A3XU3K               | 1200-0567      | 1   |     | SOCKET-IC 28-CONT DIP DIP-SLDR          | 28480    | 1200-0567       |
| A3XU4H               | 1200-0567      | 1   |     | SOCKET-IC 28-CONT DIP DIP-SLDR          | 28480    | 1200-0567       |
| A3XU4I               | 1200-0567      | 1   |     | SOCKET-IC 28-CONT DIP DIP-SLDR          | 28480    | 1200-0567       |
| A3XU4J               | 1200-0567      | 1   |     | SOCKET-IC 28-CONT DIP DIP-SLDR          | 28480    | 1200-0567       |
| A3XU4K               | 1200-0567      | 1   |     | SOCKET-IC 28-CONT DIP DIP-SLDR          | 28480    | 1200-0567       |
| A3XU6I               | 1200-0654      | 7   | 2   | SOCKET-IC 40-CONT DIP DIP-SLDR          | 28480    | 1200-0654       |
| A3XU6M               | 1200-0654      | 7   |     | SOCKET-IC 40-CONT DIP DIP-SLDR          | 28480    | 1200-0654       |
| A3XUY1D              | 1200-0638      | 7   | 1   | SOCKET-IC 14-CONT DIP DIP-SLDR          | 28480    | 1200-0638       |
| A3A1                 | 01630-66513    | 8   | 1   | ESD ASSEMBLY                            | 28480    | 01630-66513     |
| A3A1C1               | 0160-5246      | 6   | 1   | CAPACITOR-FXD .1UF 50VDC                | 28480    | 0160-5246       |
| A3A1CR1              | 1901-0050      | 3   | 4   | DIODE-SWITCHING 80V 200MA 2NS D035      | 28480    | 1901-0050       |
| A3A1CR2              | 1901-0050      | 3   |     | DIODE-SWITCHING 80V 200MA 2NS D035      | 28480    | 1901-0050       |
| A3A1CR3              | 1901-0050      | 3   |     | DIODE-SWITCHING 80V 200MA 2NS D035      | 28480    | 1901-0050       |
| A3A1CR4              | 1901-0050      | 3   |     | DIODE-SWITCHING 80V 200MA 2NS D035      | 28480    | 1901-0050       |
| A3A1R1               | 0683-4705      | 8   | 1   | RESISTOR-FXD 47 OHM .25W CC             | 28480    | 0683-4705       |
| A3U20                | 1LB3-0003      | 8   | 1   | IC HP-IL                                | 28480    | 1LB3-0003       |
| A3A1XU1              | 1200-0567      | 1   | 1   | SOCKET-IC 28-PIN                        | 28480    | 1200-0567       |

See introduction to this section for ordering information

Table 6-2. Replaceable Parts (Cont'd)

| Reference Designator | HP Part Number | C D | Qty | Description  | Mfr Code | Mfr Part Number |
|----------------------|----------------|-----|-----|--|----------|-----------------|
| A4                   | 01630-66505    | 8   | 1   | STATE ACQ. ASSEMBLY                                | 28480    | 01630-66505     |
|                      |                |     |     | SAME AS 01630-66518 WITH THE FOLLOWING EXCEPTIONS: |          |                 |
| A4U2B                | 1820-1788      | 4   | 7   | IC CNTR ECL BIN SYNCHRO POS-EDGE-TRIG              | 04713    | F10016DC        |
| A4U2C                | 1820-1788      | 4   |     | IC CNTR ECL BIN SYNCHRO POS-EDGE-TRIG              | 04713    | F10016DC        |
| A4U2E                | 1820-1788      | 4   |     | IC CNTR ECL BIN SYNCHRO POS-EDGE-TRIG              | 04713    | F10016DC        |
| A4U2F                | 1820-1788      | 4   |     | IC CNTR ECL BIN SYNCHRO POS-EDGE-TRIG              | 04713    | F10016DC        |
| A4U2G                | 1820-1788      | 4   |     | IC CNTR ECL BIN SYNCHRO POS-EDGE-TRIG              | 04713    | F10016DC        |
| A4U2H                | 1820-1788      | 4   |     | IC CNTR ECL BIN SYNCHRO POS-EDGE-TRIG              | 04713    | F10016DC        |
| A4U2I                | 1820-1788      | 4   |     | IC CNTR ECL BIN SYNCHRO POS-EDGE-TRIG              | 04713    | F10016DC        |
| A4U4L                | 1820-2451      | 0   | 1   | IC LCH ECL D-TYPE NEG-EDGE-TRIG COM                | 04713    | MC10168P        |
| A4                   | 01630-66509    | 2   | 1   | STATE ACQ. ASSEMBLY                                | 28480    | 01630-66509     |
|                      |                |     |     | SAME AS 01630-66518 WITH THE FOLLOWING EXCEPTIONS: |          |                 |
| A4U2B                | 1820-1788      | 4   | 7   | IC CNTR ECL BIN SYNCHRO POS-EDGE-TRIG              | 04713    | F10016DC        |
| A4U2C                | 1820-1788      | 4   |     | IC CNTR ECL BIN SYNCHRO POS-EDGE-TRIG              | 04713    | F10016DC        |
| A4U2E                | 1820-1788      | 4   |     | IC CNTR ECL BIN SYNCHRO POS-EDGE-TRIG              | 04713    | F10016DC        |
| A4U2F                | 1820-1788      | 4   |     | IC CNTR ECL BIN SYNCHRO POS-EDGE-TRIG              | 04713    | F10016DC        |
| A4U2G                | 1820-1788      | 4   |     | IC CNTR ECL BIN SYNCHRO POS-EDGE-TRIG              | 04713    | F10016DC        |
| A4U2H                | 1820-1788      | 4   |     | IC CNTR ECL BIN SYNCHRO POS-EDGE-TRIG              | 04713    | F10016DC        |
| A4U2I                | 1820-1788      | 4   |     | IC CNTR ECL BIN SYNCHRO POS-EDGE-TRIG              | 04713    | F10016DC        |
| A4                   | 01630-66518    | 3   | 1   | STATE ACQ. ASSEMBLY                                | 28480    | 01630-66518     |
| A4C1                 | 0160-5298      | 8   | 70  | CAPACITOR-FXD .01UF +-20% 100VDC CER               | 28480    | 0160-5298       |
| A4C2                 | 0160-5298      | 8   |     | CAPACITOR-FXD .01UF +-20% 100VDC CER               | 28480    | 0160-5298       |
| A4C3                 | 0160-5298      | 8   |     | CAPACITOR-FXD .01UF +-20% 100VDC CER               | 28480    | 0160-5298       |
| A4C4                 | 0160-5298      | 8   |     | CAPACITOR-FXD .01UF +-20% 100VDC CER               | 28480    | 0160-5298       |
| A4C5                 | 0160-5298      | 8   |     | CAPACITOR-FXD .01UF +-20% 100VDC CER               | 28480    | 0160-5298       |
| A4C6                 | 0160-5298      | 8   |     | CAPACITOR-FXD .01UF +-20% 100VDC CER               | 28480    | 0160-5298       |
| A4C7                 | 0160-5298      | 8   |     | CAPACITOR-FXD .01UF +-20% 100VDC CER               | 28480    | 0160-5298       |
| A4C8                 | 0160-5298      | 8   |     | CAPACITOR-FXD .01UF +-20% 100VDC CER               | 28480    | 0160-5298       |
| A4C9                 | 0160-5298      | 8   |     | CAPACITOR-FXD .01UF +-20% 100VDC CER               | 28480    | 0160-5298       |
| A4C10                | 0160-5298      | 8   |     | CAPACITOR-FXD .01UF +-20% 100VDC CER               | 28480    | 0160-5298       |
| A4C11                | 0160-5298      | 8   |     | CAPACITOR-FXD .01UF +-20% 100VDC CER               | 28480    | 0160-5298       |
| A4C12                | 0160-5298      | 8   |     | CAPACITOR-FXD .01UF +-20% 100VDC CER               | 28480    | 0160-5298       |
| A4C13                | 0160-5298      | 8   |     | CAPACITOR-FXD .01UF +-20% 100VDC CER               | 28480    | 0160-5298       |
| A4C14                | 0160-5298      | 8   |     | CAPACITOR-FXD .01UF +-20% 100VDC CER               | 28480    | 0160-5298       |
| A4C15                | 0160-5298      | 8   |     | CAPACITOR-FXD .01UF +-20% 100VDC CER               | 28480    | 0160-5298       |
| A4C16                | 0160-5298      | 8   |     | CAPACITOR-FXD .01UF +-20% 100VDC CER               | 28480    | 0160-5298       |
| A4C17                | 0160-5298      | 8   |     | CAPACITOR-FXD .01UF +-20% 100VDC CER               | 28480    | 0160-5298       |
| A4C18                | 0160-5309      | 2   | 7   | CAPACITOR-FXD 100PF +-5% 100VDC CER                | 28480    | 0160-5309       |
| A4C19                | 0160-5298      | 8   |     | CAPACITOR-FXD .01UF +-20% 100VDC CER               | 28480    | 0160-5298       |
| A4C20                | 0160-5298      | 8   |     | CAPACITOR-FXD .01UF +-20% 100VDC CER               | 28480    | 0160-5298       |
| A4C21                | 0160-5298      | 8   |     | CAPACITOR-FXD .01UF +-20% 100VDC CER               | 28480    | 0160-5298       |
| A4C22                | 0160-5298      | 8   |     | CAPACITOR-FXD .01UF +-20% 100VDC CER               | 28480    | 0160-5298       |
| A4C23                | 0160-5298      | 8   |     | CAPACITOR-FXD .01UF +-20% 100VDC CER               | 28480    | 0160-5298       |
| A4C24                | 0160-5298      | 8   |     | CAPACITOR-FXD .01UF +-20% 100VDC CER               | 28480    | 0160-5298       |
| A4C25                | 0160-5298      | 8   |     | CAPACITOR-FXD .01UF +-20% 100VDC CER               | 28480    | 0160-5298       |
| A4C26                | 0160-5298      | 8   |     | CAPACITOR-FXD .01UF +-20% 100VDC CER               | 28480    | 0160-5298       |
| A4C27                | 0160-5298      | 8   |     | CAPACITOR-FXD .01UF +-20% 100VDC CER               | 28480    | 0160-5298       |
| A4C28                | 0160-5298      | 8   |     | CAPACITOR-FXD .01UF +-20% 100VDC CER               | 28480    | 0160-5298       |
| A4C29                | 0160-5298      | 8   |     | CAPACITOR-FXD .01UF +-20% 100VDC CER               | 28480    | 0160-5298       |
| A4C30                | 0160-5298      | 8   |     | CAPACITOR-FXD .01UF +-20% 100VDC CER               | 28480    | 0160-5298       |
| A4C31                | 0160-5298      | 8   |     | CAPACITOR-FXD .01UF +-20% 100VDC CER               | 28480    | 0160-5298       |
| A4C32                | 0160-5298      | 8   |     | CAPACITOR-FXD .01UF +-20% 100VDC CER               | 28480    | 0160-5298       |
| A4C33                | 0160-5298      | 8   |     | CAPACITOR-FXD .01UF +-20% 100VDC CER               | 28480    | 0160-5298       |
| A4C34                | 0160-5298      | 8   |     | CAPACITOR-FXD .01UF +-20% 100VDC CER               | 28480    | 0160-5298       |
| A4C35                | 0160-5298      | 8   |     | CAPACITOR-FXD .01UF +-20% 100VDC CER               | 28480    | 0160-5298       |
| A4C36                | 0160-5298      | 8   |     | CAPACITOR-FXD .01UF +-20% 100VDC CER               | 28480    | 0160-5298       |
| A4C37                | 0160-5298      | 8   |     | CAPACITOR-FXD .01UF +-20% 100VDC CER               | 28480    | 0160-5298       |
| A4C38                | 0160-5298      | 8   |     | CAPACITOR-FXD .01UF +-20% 100VDC CER               | 28480    | 0160-5298       |
| A4C39                | 0160-5298      | 8   |     | CAPACITOR-FXD .01UF +-20% 100VDC CER               | 28480    | 0160-5298       |
| A4C40                | 0160-5298      | 8   |     | CAPACITOR-FXD .01UF +-20% 100VDC CER               | 28480    | 0160-5298       |

See introduction to this section for ordering information

Table 6-2. Replaceable Parts (Cont'd)

| Reference Designator | HP Part Number | C D | Qty | Description                             | Mfr Code | Mfr Part Number  |
|----------------------|----------------|-----|-----|---|----------|------------------|
| A4C41                | 0160-5298      | 8   |     | CAPACITOR-FXD .01UF +-20% 100VDC CER    | 28480    | 0160-5298        |
| A4C42                | 0160-5298      | 8   |     | CAPACITOR-FXD .01UF +-20% 100VDC CER    | 28480    | 0160-5298        |
| A4C43                | 0160-5309      | 2   |     | CAPACITOR-FXD 100PF +-5% 100VDC CER     | 28480    | 0160-5309        |
| A4C44                | 0160-5298      | 8   |     | CAPACITOR-FXD .01UF +-20% 100VDC CER    | 28480    | 0160-5298        |
| A4C45                | 0160-5298      | 8   |     | CAPACITOR-FXD .01UF +-20% 100VDC CER    | 28480    | 0160-5298        |
| A4C46                | 0160-5298      | 8   |     | CAPACITOR-FXD .01UF +-20% 100VDC CER    | 28480    | 0160-5298        |
| A4C47                | 0160-5309      | 2   |     | CAPACITOR-FXD 100PF +-5% 100VDC CER     | 28480    | 0160-5309        |
| A4C48                | 0160-5309      | 2   |     | CAPACITOR-FXD 100PF +-5% 100VDC CER     | 28480    | 0160-5309        |
| A4C49                | 0160-5298      | 8   |     | CAPACITOR-FXD .01UF +-20% 100VDC CER    | 28480    | 0160-5298        |
| A4C50                | 0160-5298      | 8   |     | CAPACITOR-FXD .01UF +-20% 100VDC CER    | 28480    | 0160-5298        |
| A4C51                | 0160-5298      | 8   |     | CAPACITOR-FXD .01UF +-20% 100VDC CER    | 28480    | 0160-5298        |
| A4C52                | 0160-5298      | 8   |     | CAPACITOR-FXD .01UF +-20% 100VDC CER    | 28480    | 0160-5298        |
| A4C53                | 0160-5298      | 8   |     | CAPACITOR-FXD .01UF +-20% 100VDC CER    | 28480    | 0160-5298        |
| A4C54                | 0160-5298      | 8   |     | CAPACITOR-FXD .01UF +-20% 100VDC CER    | 28480    | 0160-5298        |
| A4C55                | 0160-5298      | 8   |     | CAPACITOR-FXD .01UF +-20% 100VDC CER    | 28480    | 0160-5298        |
| A4C56                | 0160-5309      | 2   |     | CAPACITOR-FXD 100PF +-5% 100VDC CER     | 28480    | 0160-5309        |
| A4C57                | 0160-5298      | 8   |     | CAPACITOR-FXD .01UF +-20% 100VDC CER    | 28480    | 0160-5298        |
| A4C58                | 0160-5298      | 8   |     | CAPACITOR-FXD .01UF +-20% 100VDC CER    | 28480    | 0160-5298        |
| A4C59                | 0160-5298      | 8   |     | CAPACITOR-FXD .01UF +-20% 100VDC CER    | 28480    | 0160-5298        |
| A4C60                | 0160-5298      | 8   |     | CAPACITOR-FXD .01UF +-20% 100VDC CER    | 28480    | 0160-5298        |
| A4C61                | 0160-5298      | 8   |     | CAPACITOR-FXD .01UF +-20% 100VDC CER    | 28480    | 0160-5298        |
| A4C62                | 0160-5298      | 8   |     | CAPACITOR-FXD .01UF +-20% 100VDC CER    | 28480    | 0160-5298        |
| A4C63                | 0160-5309      | 2   |     | CAPACITOR-FXD 100PF +-5% 100VDC CER     | 28480    | 0160-5309        |
| A4C64                | 0160-5298      | 8   |     | CAPACITOR-FXD .01UF +-20% 100VDC CER    | 28480    | 0160-5298        |
| A4C65                | 0160-5309      | 2   |     | CAPACITOR-FXD 100PF +-5% 100VDC CER     | 28480    | 0160-5309        |
| A4C66                | 0160-5298      | 8   |     | CAPACITOR-FXD .01UF +-20% 100VDC CER    | 28480    | 0160-5298        |
| A4C67                | 0160-5298      | 8   |     | CAPACITOR-FXD .01UF +-20% 100VDC CER    | 28480    | 0160-5298        |
| A4C68                | 0160-5298      | 8   |     | CAPACITOR-FXD .01UF +-20% 100VDC CER    | 28480    | 0160-5298        |
| A4C69                | 0180-0229      | 7   | 2   | CAPACITOR-FXD 33UF+-10% 10VDC TA        | 56289    | 150D336X9010B2   |
| A4C70                | 0160-5298      | 8   |     | CAPACITOR-FXD .01UF +-20% 100VDC CER    | 28480    | 0160-5298        |
| A4C71                | 0160-5298      | 8   |     | CAPACITOR-FXD .01UF +-20% 100VDC CER    | 28480    | 0160-5298        |
| A4C72                | 0160-5298      | 8   |     | CAPACITOR-FXD .01UF +-20% 100VDC CER    | 28480    | 0160-5298        |
| A4C73                | 0160-5298      | 8   |     | CAPACITOR-FXD .01UF +-20% 100VDC CER    | 28480    | 0160-5298        |
| A4C74                | 0160-5298      | 8   |     | CAPACITOR-FXD .01UF +-20% 100VDC CER    | 28480    | 0160-5298        |
| A4C75                | 0160-5298      | 8   |     | CAPACITOR-FXD .01UF +-20% 100VDC CER    | 28480    | 0160-5298        |
| A4C76                | 0160-5298      | 8   |     | CAPACITOR-FXD .01UF +-20% 100VDC CER    | 28480    | 0160-5298        |
| A4C77                | 0160-5298      | 8   |     | CAPACITOR-FXD .01UF +-20% 100VDC CER    | 28480    | 0160-5298        |
| A4C78                | 0180-0229      | 7   |     | CAPACITOR-FXD 33UF+-10% 10VDC TA        | 56289    | 150D336X9010B2   |
| A4C79                | 0160-5298      | 8   |     | CAPACITOR-FXD .01UF +-20% 100VDC CER    | 28480    | 0160-5298        |
| A4DL1                | 1810-0602      | 8   | 1   | DELAY LINE- 7NS                         | 28480    | 1810-0602        |
| A4J1                 | 1251-7705      | 0   | 3   | CONNECTOR-28 CONTACT (MALE)             | 28480    | 1251-7705        |
| A4J2                 | 1251-7705      | 0   |     | CONNECTOR-28 CONTACT (MALE)             | 28480    | 1251-7705        |
| A4J3                 | 1251-7705      | 0   |     | CONNECTOR-28 CONTACT (MALE)             | 28480    | 1251-7705        |
| A4P1                 | 1251-7868      | 6   | 1   | CONNECTOR-100 CONTACT (FEMALE)          | 28480    | 1251-7868        |
| A4R1                 | 0757-0418      | 9   | 6   | RESISTOR 619 1% .125W F TC=0+-100       | 24546    | C4-1/8-TO-619R-F |
| A4R2                 | 0757-0418      | 9   |     | RESISTOR 619 1% .125W F TC=0+-100       | 24546    | C4-1/8-TO-619R-F |
| A4R3                 | 0757-0418      | 9   |     | RESISTOR 619 1% .125W F TC=0+-100       | 24546    | C4-1/8-TO-619R-F |
| A4R4                 | 2100-3123      | 0   | 2   | RESISTOR-TRMR 500 10% C SIDE-ADJ 17-TRN | 02111    | 43P501           |
| A4R5                 | 2100-3123      | 0   |     | RESISTOR-TRMR 500 10% C SIDE-ADJ 17-TRN | 02111    | 43P501           |
| A4R6                 | 0757-0418      | 9   |     | RESISTOR 619 1% .125W F TC=0+-100       | 24546    | C4-1/8-TO-619R-F |
| A4R7                 | 0698-3447      | 4   | 1   | RESISTOR 422 1% .125W F TC=0+-100       | 24546    | C4-1/8-TO-422R-F |
| A4R8                 | 0698-3441      | 8   | 2   | RESISTOR 215 1% .125W F TC=0+-100       | 24546    | C4-1/8-TO-215R-F |
| A4R9                 | 0757-0418      | 9   |     | RESISTOR 619 1% .125W F TC=0+-100       | 24546    | C4-1/8-TO-619R-F |
| A4R10                | 0757-0408      | 7   | 2   | RESISTOR 243 1% .125W F TC=0+-100       | 24546    | C4-1/8-TO-243R-F |
| A4R11                | 0698-3441      | 8   |     | RESISTOR 215 1% .125W F TC=0+-100       | 24946    | C4-1/8-TO-215R-F |
| A4R12                | 0757-0408      | 7   |     | RESISTOR 243 1% .125W F TC=0+-100       | 24546    | C4-1/8-TO-243R-F |
| A4R13                | 0757-0442      | 9   | 3   | RESISTOR 10K 1% .125W F TC=0+-100       | 24546    | C4-1/8-TO-1002-F |
| A4R14                | 0757-0442      | 9   |     | RESISTOR 10K 1% .125W F TC=0+-100       | 24546    | C4-1/8-TO-1002-F |
| A4R15                | 0757-0442      | 9   |     | RESISTOR 10K 1% .125W F TC=0+-100       | 24546    | C4-1/8-TO-1002-F |
| A4R16                | 0757-0418      | 9   |     | RESISTOR 619 1% .125W F TC=0+-100       | 24546    | C4-1/8-TO-619R-F |
| A4RP1                | 1810-0272      | 8   | 6   | NETWORK-RES 10-SIP330.0 OHM X 9         | 01121    | 210A331          |
| A4RP2                | 1810-0272      | 8   |     | NETWORK-RES 10-SIP330.0 OHM X 9         | 01121    | 210A331          |
| A4RP3                | 1810-0272      | 8   |     | NETWORK-RES 10-SIP330.0 OHM X 9         | 01121    | 210A331          |
| A4RP4                | 1810-0272      | 8   |     | NETWORK-RES 10-SIP330.0 OHM X 9         | 01121    | 210A331          |
| A4RP5                | 1810-0272      | 8   |     | NETWORK-RES 10-SIP330.0 OHM X 9         | 01121    | 210A331          |
| A4RP6                | 1810-0272      | 8   |     | NETWORK-RES 10-SIP330.0 OHM X 9         | 01121    | 210A331          |
| A4RP7                | 1810-0382      | 1   | 28  | NETWORK-RES 10-SIP100.0 OHM X 9         | 01121    | 210A101          |
| A4RP8                | 1810-0382      | 1   |     | NETWORK-RES 10-SIP100.0 OHM X 9         | 01121    | 210A101          |
| A4RP9                | 1810-0382      | 1   |     | NETWORK-RES 10-SIP100.0 OHM X 9         | 01121    | 210A101          |
| A4RP10               | 1810-0382      | 1   |     | NETWORK-RES 10-SIP100.0 OHM X 9         | 01121    | 210A101          |
| A4RP11               | 1810-0382      | 1   |     | NETWORK-RES 10-SIP100.0 OHM X 9         | 01121    | 210A101          |
| A4RP12               | 1810-0382      | 1   |     | NETWORK-RES 10-SIP100.0 OHM X 9         | 01121    | 210A101          |

See introduction to this section for ordering information

Table 6-2. Replaceable Parts (Cont'd)

| Reference Designator | HP Part Number | C D | Qty | Description                             | Mfr Code | Mfr Part Number |
|----------------------|----------------|-----|-----|---|----------|-----------------|
| A4RP13               | 1810-0382      | 1   |     | NETWORK-RES 10-SIP100.0 OHM X 9         | 01121    | 210A101         |
| A4RP14               | 1810-0382      | 1   |     | NETWORK-RES 10-SIP100.0 OHM X 9         | 01121    | 210A101         |
| A4RP15               | 1810-0382      | 1   |     | NETWORK-RES 10-SIP100.0 OHM X 9         | 01121    | 210A101         |
| A4RP16               | 1810-0219      | 3   | 1   | NETWORK-RES 8-SIP220.0 OHM X 4          | 01121    | 208B221         |
| A4RP17               | 1810-0382      | 1   |     | NETWORK-RES 10-SIP100.0 OHM X 9         | 01121    | 210A101         |
| A4RP18               | 1810-0382      | 1   |     | NETWORK-RES 10-SIP100.0 OHM X 9         | 01121    | 210A101         |
| A4RP19               | 1810-0382      | 1   |     | NETWORK-RES 10-SIP100.0 OHM X 9         | 01121    | 210A101         |
| A4RP20               | 1810-0382      | 1   |     | NETWORK-RES 10-SIP100.0 OHM X 9         | 01121    | 210A101         |
| A4RP21               | 1810-0382      | 1   |     | NETWORK-RES 10-SIP100.0 OHM X 9         | 01121    | 210A101         |
| A4RP22               | 1810-0382      | 1   |     | NETWORK-RES 10-SIP100.0 OHM X 9         | 01121    | 210A101         |
| A4RP23               | 1810-0382      | 1   |     | NETWORK-RES 10-SIP100.0 OHM X 9         | 01121    | 210A101         |
| A4RP24               | 1810-0382      | 1   |     | NETWORK-RES 10-SIP100.0 OHM X 9         | 01121    | 210A101         |
| A4RP25               | 1810-0382      | 1   |     | NETWORK-RES 10-SIP100.0 OHM X 9         | 01121    | 210A101         |
| A4RP26               | 1810-0382      | 1   |     | NETWORK-RES 10-SIP100.0 OHM X 9         | 01121    | 210A101         |
| A4RP27               | 1810-0382      | 1   |     | NETWORK-RES 10-SIP100.0 OHM X 9         | 01121    | 210A101         |
| A4RP28               | 1810-0382      | 1   |     | NETWORK-RES 10-SIP100.0 OHM X 9         | 01121    | 210A101         |
| A4RP29               | 1810-0382      | 1   |     | NETWORK-RES 10-SIP100.0 OHM X 9         | 01121    | 210A101         |
| A4RP30               | 1810-0382      | 1   |     | NETWORK-RES 10-SIP100.0 OHM X 9         | 01121    | 210A101         |
| A4RP31               | 1810-0382      | 1   |     | NETWORK-RES 10-SIP100.0 OHM X 9         | 01121    | 210A101         |
| A4RP32               | 1810-0382      | 1   |     | NETWORK-RES 10-SIP100.0 OHM X 9         | 01121    | 210A101         |
| A4RP33               | 1810-0382      | 1   |     | NETWORK-RES 10-SIP100.0 OHM X 9         | 01121    | 210A101         |
| A4RP34               | 1810-0382      | 1   |     | NETWORK-RES 10-SIP100.0 OHM X 9         | 01121    | 210A101         |
| A4RP35               | 1810-0382      | 1   |     | NETWORK-RES 10-SIP100.0 OHM X 9         | 01121    | 210A101         |
| A4RT1                | 0037-0046      | 9   | 2   | THERMISTOR DISC 2K-OHM                  | 28480    | 0037-0046       |
| A4RT2                | 0037-0046      | 9   |     | THERMISTOR DISC 2K-OHM                  | 28480    | 0037-0046       |
| A4TP1                | 1250-1737      | 4   | 2   | COAXIAL TEST POINT                      | 28480    | 1250-1737       |
| A4TP2                | 1250-1737      | 4   |     | COAXIAL TEST POINT                      | 28480    | 1250-1737       |
| A4U1A                | 1820-2848      | 9   | 11  | IC-MC10H131P                            | 28480    | 1820-2848       |
| A4U1B                | 1820-2848      | 9   |     | IC-MC10H131P                            | 28480    | 1820-2848       |
| A4U1C                | 1820-2848      | 9   |     | IC-MC10H131P                            | 28480    | 1820-2848       |
| A4U1D                | 1820-2848      | 9   |     | IC-MC10H131P                            | 28480    | 1820-2848       |
| A4U1E                | 1820-2848      | 9   |     | IC-MC10H131P                            | 28480    | 1820-2848       |
| A4U1F                | 1820-2848      | 9   |     | IC-MC10H131P                            | 28480    | 1820-2848       |
| A4U1H                | 1820-2848      | 9   |     | IC-MC10H131P                            | 28480    | 1820-2848       |
| A4U1I                | 1820-2848      | 9   |     | IC-MC10H131P                            | 28480    | 1820-2848       |
| A4U1J                | 1820-2848      | 9   |     | IC-MC10H131P                            | 28480    | 1820-2848       |
| A4U1K                | 1820-1944      | 4   | 1   | IC LCH ECL D-TYPE POS-EDGE-TRIG DUAL    | 04713    | MC10130L        |
| A4U1L                | 1820-0802      | 1   | 5   | IC GATE ECL NOR QUAD 2-INP              | 04713    | MC10102P        |
| A4U1M                | 1820-2450      | 9   | 1   | IC INV ECL HEX                          | 04713    | MC10189P        |
| A4U1N                | 1820-0827      | 0   | 1   | IC DCDR ECL BIN 3-TO-8-LINE             | 04713    | MC10161P        |
| A4U2B                | 1820-3102      | 0   | 18  | IC CNTR ECL BIN SYNCHRO POS-EDGE-TRIG   | 04713    | MC10H016        |
| A4U2C                | 1820-3102      | 0   |     | IC CNTR ECL BIN SYNCHRO POS-EDGE-TRIG   | 04713    | MC10H016        |
| A4U2D                | 1820-1225      | 0   | 1   | IC FF ECL D-M/S DUAL                    | 04713    | MC10231P        |
| A4U2E                | 1820-3102      | 0   |     | IC CNTR ECL BIN SYNCHRO POS-EDGE-TRIG   | 04713    | MC10H016        |
| A4U2F                | 1820-3102      | 0   |     | IC CNTR ECL BIN SYNCHRO POS-EDGE-TRIG   | 04713    | MC10H016        |
| A4U2G                | 1820-3102      | 0   |     | IC CNTR ECL BIN SYNCHRO POS-EDGE-TRIG   | 04713    | MC10H016        |
| A4U2H                | 1820-3102      | 0   |     | IC CNTR ECL BIN SYNCHRO POS-EDGE-TRIG   | 04713    | MC10H016        |
| A4U2I                | 1820-3102      | 0   |     | IC CNTR ECL BIN SYNCHRO POS-EDGE-TRIG   | 04713    | MC10H016        |
| A4U2J                | 1820-0817      | 8   | 4   | IC FF ECL D-M/S DUAL                    | 04713    | MC10131P        |
| A4U2K                | 1820-0802      | 1   |     | IC GATE ECL NOR QUAD 2-INP              | 04713    | MC10102P        |
| A4U2L                | 1820-1831      | 8   | 2   | IC GATE ECL OR QUAD 2-INP               | 04713    | MC10103L        |
| A4U2M                | 1820-0806      | 5   | 3   | IC GATE ECL OR-NOR DUAL 4-5-INP         | 04713    | MC10109P        |
| A4U3A                | 1816-1591      | 8   | 7   | IC ECL/10K 4096 (4K) STAT RAM 25-NS 0-E | 50167    | MBM10474        |
| A4U3B                | 1816-1591      | 8   |     | IC ECL/10K 4096 (4K) STAT RAM 25-NS 0-E | 50167    | MBM10474        |
| A4U3C                | 1816-1591      | 8   |     | IC ECL/10K 4096 (4K) STAT RAM 25-NS 0-E | 50167    | MBM10474        |
| A4U3E                | 1816-1591      | 8   |     | IC ECL/10K 4096 (4K) STAT RAM 25-NS 0-E | 50167    | MBM10474        |
| A4U3F                | 1816-1591      | 8   |     | IC ECL/10K 4096 (4K) STAT RAM 25-NS 0-E | 50167    | MBM10474        |
| A4U3G                | 1816-1591      | 8   |     | IC ECL/10K 4096 (4K) STAT RAM 25-NS 0-E | 50167    | MBM10474        |
| A4U3I                | 1816-1591      | 8   |     | IC ECL/10K 4096 (4K) STAT RAM 25-NS 0-E | 50167    | MBM10474        |
| A4U3J                | 1820-3102      | 0   |     | IC CNTR ECL BIN SYNCHRO POS-EDGE-TRIG   | 85008    | MC10H016        |
| A4U3K                | 1820-3102      | 0   |     | IC CNTR ECL BIN SYNCHRO POS-EDGE-TRIG   | 85008    | MC10H016        |
| A4U3L                | 1820-3102      | 0   |     | IC CNTR ECL BIN SYNCHRO POS-EDGE-TRIG   | 85008    | MC10H016        |
| A4U3M                | 1820-0809      | 8   | 1   | IC RCVR ECL LINE RCVR QUAD 2-INP        | 04713    | MC10115P        |
| A4U3N                | 1820-2193      | 7   | 3   | IC FF ECL D-M/S POS-EDGE-TRIG COM CLOCK | 04713    | MC10176L        |
| A4U4K                | 1820-0802      | 1   |     | IC GATE ECL NOR QUAD 2-INP              | 04713    | MC10102P        |
| A4U4L                | 1820-2959      | 3   | 2   | IC-MC10H158P                            | 28480    | 1820-2959       |
| A4U4M                | 1820-2860      | 5   | 1   | IC-MC10H130P                            | 28480    | 1820-2860       |
| A4U5A                | 1820-1359      | 5   | 4   | IC MUXR/DATA-SEL ECL 4-TO-1-LINE DUAL   | 04713    | MC10174P        |
| A4U5B                | 1820-1359      | 5   |     | IC MUXR/DATA-SEL ECL 4-TO-1-LINE DUAL   | 04713    | MC10174P        |
| A4U5C                | 1820-1359      | 5   |     | IC MUXR/DATA-SEL ECL 4-TO-1-LINE DUAL   | 04713    | MC10174P        |
| A4U5D                | 1820-1359      | 5   |     | IC MUXR/DATA-SEL ECL 4-TO-1-LINE DUAL   | 04713    | MC10174P        |
| A4U5E                | 1816-1555      | 4   | 1   | IC-RAM 10422-6                          | 28480    | 1816-1555       |

See introduction to this section for ordering information

Table 6-2. Replaceable Parts (Cont'd)

| Reference Designator | HP Part Number | C D | Qty | Description                             | Mfr Code | Mfr Part Number |
|----------------------|----------------|-----|-----|---|----------|-----------------|
| A4U5F                | 1816-1544      | 1   | 3   | IC-RAM 10422                            | 28480    | 1816-1544       |
| A4U5G                | 1816-1544      | 1   |     | IC-RAM 10422                            | 28480    | 1816-1544       |
| A4U5I                | 1816-1544      | 1   |     | IC-RAM 10422                            | 28480    | 1816-1544       |
| A4U5K                | 1820-2822      | 9   | 1   | IC-MC10H105P                            | 28480    | 1820-2822       |
| A4U5L                | 1820-2849      | 0   | 8   | IC-MC10H131P                            | 28480    | 1820-2849       |
| A4U5M                | 1820-2848      | 9   |     | IC-MC10H131P                            | 28480    | 1820-2848       |
| A4U5N                | 1820-2849      | 0   |     | IC-MC10H131P                            | 28480    | 1820-2849       |
| A4U6A                | 1820-3128      | 0   | 5   | IC MUXR/DATA-SEL ECL QUAD 2-INP         | 04713    | MC10158         |
| A4U6B                | 1820-3102      | 0   |     | IC CNTR ECL BIN SYNCHRO POS-EDGE-TRIG   | 85008    | MC10H016        |
| A4U6C                | 1820-3102      | 0   |     | IC CNTR ECL BIN SYNCHRO POS-EDGE-TRIG   | 85008    | MC10H016        |
| A4U6D                | 1820-3102      | 0   |     | IC CNTR ECL BIN SYNCHRO POS-EDGE-TRIG   | 85008    | MC10H016        |
| A4U6E                | 1820-3102      | 0   |     | IC CNTR ECL BIN SYNCHRO POS-EDGE-TRIG   | 85008    | MC10H016        |
| A4U6F                | 1820-1946      | 6   | 1   | IC GATE ECL DUAL                        | 04713    | MC10117L        |
| A4U6G                | 1820-0804      | 3   | 1   | IC GATE ECL NOR TPL                     | 04713    | MC10106P        |
| A4U6H                | 1816-1554      | 3   | 1   | IC ECL/10K 64-BIT STAT RAM 6-NS         | 07263    | 10H145          |
| A4U6I                | 1820-2962      | 8   | 1   | IC-MC10H103P                            | 28480    | 1820-2962       |
| A4U6J                | 1820-0817      | 8   |     | IC FF ECL D-M/S DUAL                    | 04713    | MC10131P        |
| A4U6K                | 1820-0802      | 1   |     | IC GATE ECL NOR QUAD 2-INP              | 04713    | MC10102P        |
| A4U6L                | 1820-2193      | 7   |     | IC FF ECL D-M/S POS-EDGE-TRIG COM CLOCK | 04713    | MC10176L        |
| A4U6M                | 1820-2193      | 7   |     | IC FF ECL D-M/S POS-EDGE-TRIG COM CLOCK | 04713    | MC10176L        |
| A4U6N                | 1820-2848      | 9   |     | IC-MC10H131P                            | 28480    | 1820-2848       |
| A4U7B                | 1820-2823      | 0   | 1   | IC-MC10H102                             | 28480    | 1820-2823       |
| A4U7C                | 1820-1831      | 8   |     | IC GATE ECL OR QUAD 2-INP               | 04713    | MC10103L        |
| A4U7D                | 1820-0806      | 5   |     | IC GATE ECL OR-NOR DUAL 4-5-INP         | 04713    | MC10109P        |
| A4U7E                | 1820-3102      | 0   |     | IC CNTR ECL BIN SYNCHRO POS-EDGE-TRIG   | 85008    | MC10H016        |
| A4U7F                | 1820-3102      | 0   |     | IC CNTR ECL BIN SYNCHRO POS-EDGE-TRIG   | 85008    | MC10H016        |
| A4U7G                | 1820-3102      | 0   |     | IC CNTR ECL BIN SYNCHRO POS-EDGE-TRIG   | 85008    | MC10H016        |
| A4U7H                | 1820-3102      | 0   |     | IC CNTR ECL BIN SYNCHRO POS-EDGE-TRIG   | 85008    | MC10H016        |
| A4U7I                | 1820-0802      | 1   |     | IC GATE ECL NOR QUAD 2-INP              | 04713    | MC10102P        |
| A4U7J                | 1820-0817      | 8   |     | IC FF ECL D-M/S DUAL                    | 04713    | MC10131P        |
| A4U7K                | 1820-0817      | 8   |     | IC FF ECL D-M/S DUAL                    | 04713    | MC10131P        |
| A4U7L                | 1820-2849      | 0   |     | IC-MC10H131P                            | 28480    | 1820-2849       |
| A4U7M                | 1820-2849      | 0   |     | IC-MC10H131P                            | 28480    | 1820-2849       |
| A4U7N                | 1820-2849      | 0   |     | IC-MC10H131P                            | 28480    | 1820-2849       |
| A4U8C                | 1820-2451      | 0   | 1   | IC LCH ECL D-TYPE NEG-EDGE-TRIG COM     | 04713    | MC10168P        |
| A4U8D                | 1820-1400      | 7   | 1   | IC GATE ECL AND QUAD 2-INP              | 04713    | MC10104P        |
| A4U8E                | 1820-3128      | 0   |     | IC MUXR/DATA-SEL ECL QUAD 2-INP         | 04713    | MC10158         |
| A4U8F                | 1820-3128      | 0   |     | IC MUXR/DATA-SEL ECL QUAD 2-INP         | 04713    | MC10158         |
| A4U8G                | 1820-3128      | 0   |     | IC MUXR/DATA-SEL ECL QUAD 2-INP         | 04713    | MC10158         |
| A4U8H                | 1820-3128      | 0   |     | IC MUXR/DATA-SEL ECL QUAD 2-INP         | 04713    | MC10158         |
| A4U8I                | 1820-0806      | 5   |     | IC GATE ECL OR-NOR DUAL 4-5-INP         | 04713    | MC10109P        |
| A4U8J                | 1820-2891      | 2   | 1   | IC-MC10H101P                            | 28480    | 1820-2891       |
| A4U8K                | 1820-2963      | 9   | 1   | IC-MC10H210                             | 28480    | 1820-2963       |
| A4U8L                | 1820-2959      | 3   |     | IC-MC10H158P                            | 28480    | 1820-2959       |
| A4U8M                | 1820-2849      | 0   |     | IC-MC10H131P                            | 28480    | 1820-2849       |
| A4U8N                | 1820-2849      | 0   |     | IC-MC10H131P                            | 28480    | 1820-2849       |
| A4U8O                | 1820-2849      | 0   |     | IC-MC10H131P                            | 28480    | 1820-2849       |

See introduction to this section for ordering information



Table 6-2. Replaceable Parts (Cont'd)

| Reference Designator | HP Part Number | C D | Qty | Description   | Mfr Code | Mfr Part Number     |
|----------------------|----------------|-----|-----|---|----------|---------------------|
| A5                   | 01630-66506    | 9   | 1   | TIMING MASTER ASSEMBLY<br>USES THE SAME PARTS AS 01630-66524<br>WITH THE FOLLOWING EXCEPTIONS:<br><br>DELETE; | 28480    | 01630-66506         |
| A5U5B                | 1813-0425      | 9   | 1   | OSCILLATOR 200 MHZ<br><br>CHANGE;   | 28480    | 1813-0425           |
| A5C25                | 0160-3879      | 7   | 4   | CAPACITOR-FXD .01UF +-20% 100VDC CER<br><br>ADD;  | 28480    | 0160-3879           |
| A5C26                | 0121-0061      | 1   | 1   | CAPACITOR-V TRMR-CER 5.5-18PF 350V  | 52763    | 304322 5.5/18PF NPO |
| A5C27                | 0160-3879      | 7   | 7   | CAPACITOR-FXD .01UF +-20% 100VDC CER  | 28480    | 0160-3879           |
| A5C29                | 0160-3874      | 2   | 2   | CAPACITOR-FXD 10PF +-.5PF 200VDC CER  | 28480    | 0160-3874           |
| A5C30                | 0160-3879      | 7   | 7   | CAPACITOR-FXD .01UF +-20% 100VDC CER  | 28480    | 0160-3879           |
| A5L1                 | 9100-2248      | 5   | 1   | INDUCTOR RF-CH-MLD 120NH 10% .105DX.26LG  | 28480    | 9100-2248           |
| A5L2                 | 9100-2252      | 1   | 1   | INDUCTOR RF-CH-MLD 270NH 10% .105DX.26LG  | 28480    | 9100-2252           |
| A5L3                 | 9100-2247      | 4   | 1   | INDUCTOR RF-CH-MLD 100NH 10% .105DX.26LG  | 28480    | 9100-2247           |
| A5Q1                 | 1854-0591      | 6   | 1   | TRANSISTOR NPN SI PD=180MW FT=4GHZ  | 25403    | BFR-90              |
| A5R7                 | 0757-0401      | 0   | 1   | RESISTOR 100 1% .125W F TC=0+-100   | 24546    | C4-1/8-TO-101-F     |
| A5R8                 | 0757-0394      | 0   | 1   | RESISTOR 51.1 1% .125W F TC=0+-100  | 24546    | C4-1/8-TO-51R1-F    |
| A5R10                | 0698-0085      | 0   | 1   | RESISTOR 2.61K 1% .125W F TC=0+-100   | 24546    | C4-1/8-TO-2611-F    |
| A5R11                | 0698-4426      | 1   | 1   | RESISTOR 1.58K 1% .125W F TC=0+-100   | 24546    | C4-1/8-TO-1581-F    |
| A5Y1                 | 0410-1335      | 7   | 1   | CRYSTAL-QUARTZ 200 MHZ HC-18/U-HLDR   | 28480    | 0410-1335           |
| A5                   | 01630-66510    | 5   | 1   | TIMING MASTER ASSEMBLY<br>USES THE SAME PARTS AS 01630-66524<br>WITH THE FOLLOWING EXCEPTIONS:<br><br>DELETE; | 28480    | 01630-66510         |
| A5U5B                | 1813-0425      | 9   | 1   | OSCILLATOR 200 MHZ<br><br>CHANGE;   | 28480    | 1813-0425           |
| A5C25                | 0160-3879      | 7   | 4   | CAPACITOR-FXD .01UF +-20% 100VDC CER<br><br>ADD;  | 28480    | 0160-3879           |
| A5C26                | 0121-0061      | 1   | 1   | CAPACITOR-V TRMR-CER 5.5-18PF 350V  | 52763    | 304322 5.5/18PF NPO |
| A5C27                | 0160-3879      | 7   | 7   | CAPACITOR-FXD .01UF +-20% 100VDC CER  | 28480    | 0160-3879           |
| A5C29                | 0160-3874      | 2   | 2   | CAPACITOR-FXD 10PF +-.5PF 200VDC CER  | 28480    | 0160-3874           |
| A5C30                | 0160-3879      | 7   | 7   | CAPACITOR-FXD .01UF +-20% 100VDC CER  | 28480    | 0160-3879           |
| A5L1                 | 9100-2248      | 5   | 1   | INDUCTOR RF-CH-MLD 120NH 10% .105DX.26LG  | 28480    | 9100-2248           |
| A5L2                 | 9100-2252      | 1   | 1   | INDUCTOR RF-CH-MLD 270NH 10% .105DX.26LG  | 28480    | 9100-2252           |
| A5L3                 | 9100-2247      | 4   | 1   | INDUCTOR RF-CH-MLD 100NH 10% .105DX.26LG  | 28480    | 9100-2247           |
| A5Q1                 | 1854-0591      | 6   | 1   | TRANSISTOR NPN SI PD=180MW FT=4GHZ  | 25403    | BFR-90              |
| A5R7                 | 0757-0401      | 0   | 1   | RESISTOR 100 1% .125W F TC=0+-100   | 24546    | C4-1/8-TO-101-F     |
| A5R8                 | 0757-0394      | 0   | 1   | RESISTOR 51.1 1% .125W F TC=0+-100  | 24546    | C4-1/8-TO-51R1-F    |
| A5R10                | 0698-0085      | 0   | 1   | RESISTOR 2.61K 1% .125W F TC=0+-100   | 24546    | C4-1/8-TO-2611-F    |
| A5R11                | 0698-4426      | 1   | 1   | RESISTOR 1.58K 1% .125W F TC=0+-100   | 24546    | C4-1/8-TO-1581-F    |
| A5Y1                 | 0410-1335      | 7   | 1   | CRYSTAL-QUARTZ 200 MHZ HC-18/U-HLDR   | 28480    | 0410-1335           |
| A5                   | 01630-66524    | 7   | 1   | TIMING MASTER ASSEMBLY  | 28480    | 01630-66524         |
| A5C1                 | 0160-5298      | 8   | 51  | CAPACITOR-FXD .01UF +-20% 100VDC CER  | 28480    | 0160-5321           |
| A5C2                 | 0160-5298      | 8   | 8   | CAPACITOR-FXD .01UF +-20% 100VDC CER  | 28480    | 0160-5321           |
| A5C3                 | 0160-5298      | 8   | 8   | CAPACITOR-FXD .01UF +-20% 100VDC CER  | 28480    | 0160-5321           |
| A5C4                 | 0160-5341      | 2   | 1   | CAPACITOR-FXD 4UF 50VDC   | 28480    | 0160-5341           |
| A5C5                 | 0160-5342      | 3   | 1   | CAPACITOR-FXD .4UF 50VDC  | 28480    | 0160-5342           |
| A5C6                 | 0160-5475      | 3   | 1   | CAPACITOR-FXD PC .04UF 50VDC  | 28480    | 0160-5475           |
| A5C7                 | 0160-5415      | 1   | 1   | CAPACITOR-FXD 3600PF 50VDC  | 28480    | 0160-5415           |
| A5C8                 | 0160-5298      | 8   | 8   | CAPACITOR-FXD .01UF +-20% 100VDC CER  | 28480    | 0160-5321           |

See introduction to this section for ordering information

Table 6-2. Replaceable Parts (Cont'd)

| Reference Designator | HP Part Number | C D | Qty | Description                           | Mfr Code | Mfr Part Number  |
|----------------------|----------------|-----|-----|---------------------------------------|----------|------------------|
| A5C9                 | 0160-5506      | 1   | 3   | CAPACITOR-FXD 300PF 50VDC             | 28480    | 0160-5506        |
| A5C10                | 0160-5298      | 8   |     | CAPACITOR-FXD .01UF +-20% 100VDC CER  | 28480    | 0160-5321        |
| A5C11                | 0160-5298      | 8   | 8   | CAPACITOR-FXD .01UF +-20% 100VDC CER  | 28480    | 0160-5321        |
| A5C12                | 0160-5298      | 8   |     | CAPACITOR-FXD .01UF +-20% 100VDC CER  | 28480    | 0160-5321        |
| A5C13                | 0160-5298      | 8   |     | CAPACITOR-FXD .01UF +-20% 100VDC CER  | 28480    | 0160-5321        |
| A5C14                | 0160-5298      | 8   |     | CAPACITOR-FXD .01UF +-20% 100VDC CER  | 28480    | 0160-5321        |
| A5C15                | 0160-5506      | 1   |     | CAPACITOR-FXD 300PF 50VDC             | 28480    | 0160-5506        |
| A5C16                | 0160-5298      | 8   |     | CAPACITOR-FXD .01UF +-20% 100VDC CER  | 28480    | 0160-5321        |
| A5C17                | 0160-5298      | 8   |     | CAPACITOR-FXD .01UF +-20% 100VDC CER  | 28480    | 0160-5321        |
| A5C18                | 0160-5298      | 8   |     | CAPACITOR-FXD .01UF +-20% 100VDC CER  | 28480    | 0160-5321        |
| A5C19                | 0160-5298      | 8   |     | CAPACITOR-FXD .01UF +-20% 100VDC CER  | 28480    | 0160-5321        |
| A5C20                | 0160-5298      | 8   |     | CAPACITOR-FXD .01UF +-20% 100VDC CER  | 28480    | 0160-5321        |
| A5C21                | 0160-5298      | 8   | 8   | CAPACITOR-FXD .01UF +-20% 100VDC CER  | 28480    | 0160-5321        |
| A5C22                | 0160-5298      | 8   |     | CAPACITOR-FXD .01UF +-20% 100VDC CER  | 28480    | 0160-5321        |
| A5C23                | 0160-5298      | 8   |     | CAPACITOR-FXD .01UF +-20% 100VDC CER  | 28480    | 0160-5321        |
| A5C24                | 0160-5298      | 8   |     | CAPACITOR-FXD .01UF +-20% 100VDC CER  | 28480    | 0160-5321        |
| A5C25                | 0160-5298      | 8   |     | CAPACITOR-FXD .01UF +-20% 100VDC CER  | 28480    | 0160-5321        |
| A5C26                |                |     | 2   | NOT USED                              |          |                  |
| A5C27                |                |     |     | NOT USED                              |          |                  |
| A5C28                | 0160-3874      | 2   |     | CAPACITOR-FXD 10PF +- .5PF 200VDC CER | 28480    | 0160-3874        |
| A5C29                |                |     |     | NOT USED                              |          |                  |
| A5C30                |                |     |     | NOT USED                              |          |                  |
| A5C31                | 0160-5298      | 8   | 8   | CAPACITOR-FXD .01UF +-20% 100VDC CER  | 28480    | 0160-5321        |
| A5C32                | 0160-5298      | 8   |     | CAPACITOR-FXD .01UF +-20% 100VDC CER  | 28480    | 0160-5321        |
| A5C33                | 0160-5298      | 8   |     | CAPACITOR-FXD .01UF +-20% 100VDC CER  | 28480    | 0160-5321        |
| A5C34                | 0160-5298      | 8   |     | CAPACITOR-FXD .01UF +-20% 100VDC CER  | 28480    | 0160-5321        |
| A5C35                | 0160-5298      | 8   |     | CAPACITOR-FXD .01UF +-20% 100VDC CER  | 28480    | 0160-5321        |
| A5C36                | 0160-5298      | 8   | 8   | CAPACITOR-FXD .01UF +-20% 100VDC CER  | 28480    | 0160-5321        |
| A5C37                | 0160-3879      | 7   |     | CAPACITOR-FXD .01UF +-20% 100VDC CER  | 28480    | 0160-3879        |
| A5C38                | 0160-5298      | 8   |     | CAPACITOR-FXD .01UF +-20% 100VDC CER  | 28480    | 0160-5321        |
| A5C39                | 0160-5298      | 8   |     | CAPACITOR-FXD .01UF +-20% 100VDC CER  | 28480    | 0160-5321        |
| A5C40                | 0160-5298      | 8   |     | CAPACITOR-FXD .01UF +-20% 100VDC CER  | 28480    | 0160-5321        |
| A5C41                | 0160-5298      | 8   | 8   | CAPACITOR-FXD .01UF +-20% 100VDC CER  | 28480    | 0160-5321        |
| A5C42                | 0160-5298      | 8   |     | CAPACITOR-FXD .01UF +-20% 100VDC CER  | 28480    | 0160-5321        |
| A5C43                | 0160-5298      | 8   |     | CAPACITOR-FXD .01UF +-20% 100VDC CER  | 28480    | 0160-5321        |
| A5C44                | 0160-5298      | 8   |     | CAPACITOR-FXD .01UF +-20% 100VDC CER  | 28480    | 0160-5321        |
| A5C45                | 0160-5298      | 8   |     | CAPACITOR-FXD .01UF +-20% 100VDC CER  | 28480    | 0160-5321        |
| A5C46                | 0160-5298      | 8   | 8   | CAPACITOR-FXD .01UF +-20% 100VDC CER  | 28480    | 0160-5321        |
| A5C47                | 0160-5298      | 8   |     | CAPACITOR-FXD .01UF +-20% 100VDC CER  | 28480    | 0160-5321        |
| A5C48                | 0160-5298      | 8   |     | CAPACITOR-FXD .01UF +-20% 100VDC CER  | 28480    | 0160-5321        |
| A5C49                | 0160-5298      | 8   |     | CAPACITOR-FXD .01UF +-20% 100VDC CER  | 28480    | 0160-5321        |
| A5C50                | 0160-5298      | 8   |     | CAPACITOR-FXD .01UF +-20% 100VDC CER  | 28480    | 0160-5321        |
| A5C51                | 0160-5298      | 8   | 8   | CAPACITOR-FXD .01UF +-20% 100VDC CER  | 28480    | 0160-5321        |
| A5C52                | 0160-5298      | 8   |     | CAPACITOR-FXD .01UF +-20% 100VDC CER  | 28480    | 0160-5321        |
| A5C53                | 0160-5298      | 8   |     | CAPACITOR-FXD .01UF +-20% 100VDC CER  | 28480    | 0160-5321        |
| A5C54                | 0160-5298      | 8   |     | CAPACITOR-FXD .01UF +-20% 100VDC CER  | 28480    | 0160-5321        |
| A5C55                | 0160-5298      | 8   |     | CAPACITOR-FXD .01UF +-20% 100VDC CER  | 28480    | 0160-5321        |
| A5C56                | 0160-5298      | 8   | 8   | CAPACITOR-FXD .01UF +-20% 100VDC CER  | 28480    | 0160-5321        |
| A5C57                | 0160-5298      | 8   |     | CAPACITOR-FXD .01UF +-20% 100VDC CER  | 28480    | 0160-5321        |
| A5C58                | 0160-5506      | 1   |     | CAPACITOR-FXD 300PF 50VDC             | 28480    | 0160-5506        |
| A5C59                | 0160-5298      | 8   |     | CAPACITOR-FXD .01UF +-20% 100VDC CER  | 28480    | 0160-5321        |
| A5C60                | 0160-5298      | 8   |     | CAPACITOR-FXD .01UF +-20% 100VDC CER  | 28480    | 0160-5321        |
| A5C61                | 0160-5298      | 8   | 8   | CAPACITOR-FXD .01UF +-20% 100VDC CER  | 28480    | 0160-5321        |
| A5C62                | 0160-5298      | 8   |     | CAPACITOR-FXD .01UF +-20% 100VDC CER  | 28480    | 0160-5321        |
| A5C63                | 0160-5298      | 8   |     | CAPACITOR-FXD .01UF +-20% 100VDC CER  | 28480    | 0160-5321        |
| A5C64                | 0180-0229      | 7   |     | CAPACITOR-FXD 33UF +-10% 10VDC TA     | 56289    | 150D336X9010B2   |
| A5C65                | 0180-0229      | 7   |     | CAPACITOR-FXD 33UF +-10% 10VDC TA     | 56289    | 150D336X9010B2   |
| A5C66                | 0160-5298      | 8   | 8   | CAPACITOR-FXD .01UF +-20% 100VDC CER  | 28480    | 0160-5321        |
| A5C67                | 0160-5298      | 8   |     | CAPACITOR-FXD .01UF +-20% 100VDC CER  | 28480    | 0160-5321        |
| A5J1                 | 1251-7705      | 0   | 1   | CONNECTOR-28 CONTACT (MALE)           | 28480    | 1251-7705        |
| A5MP1                | 1205-0484      | 1   | 2   | HEAT SINK SOCKET                      | 28480    | 1205-0484        |
| A5P1                 | 1251-7868      | 6   | 1   | CONNECTOR-100 CONTACT (FEMALE)        | 28480    | 1251-7868        |
| A5R1                 | 0757-0419      | 0   | 1   | RESISTOR 681 1% .125W F TC=0+-100     | 24546    | C4-1/8-TO-681R-F |
| A5R2                 | 0698-6735      | 9   |     | RESISTOR 1.71K 1% .125W F TC=0+-100   | 24546    | C4-1/8-TO-1711-F |
| A5R3                 | 0698-4426      | 1   |     | RESISTOR 1.58K 1% .125W F TC=0+-100   | 24546    | C4-1/8-TO-1581-F |
| A5R4                 | 0757-0407      | 6   |     | RESISTOR 200 1% .125W F TC=0+-100     | 24546    | C4-1/8-TO-201-F  |
| A5R5                 | 0757-0407      | 6   |     | RESISTOR 200 1% .125W F TC=0+-100     | 24546    | C4-1/8-TO-201-F  |
| A5R6                 | 0757-0280      | 3   | 4   | RESISTOR 1K 1% .125W F TC=0+-100      | 24546    | C4-1/8-TO-1001-F |
| A5R7                 |                |     |     | NOT USED                              |          |                  |
| A5R8                 |                |     |     | NOT USED                              |          |                  |
| A5R9                 | 0757-0280      | 3   |     | RESISTOR 1K 1% .125W F TC=0+-100      | 24546    | C4-1/8-TO-1001-F |
| A5R10                |                |     |     | NOT USED                              |          |                  |

See introduction to this section for ordering information

Table 6-2. Replaceable Parts (Cont'd)

| Reference Designator | HP Part Number | C D | Qty | Description                             | Mfr Code | Mfr Part Number  |
|----------------------|----------------|-----|-----|---|----------|------------------|
| A5R11                |                |     |     | NOT USED                                |          |                  |
| A5R12                | 0757-0280      | 3   |     | RESISTOR 1K 1% .125W F TC=0+-100        | 24546    | C4-1/8-TO-1001-F |
| A5R13                | 0757-0280      | 3   |     | RESISTOR 1K 1% .125W F TC=0+-100        | 24546    | C4-1/8-TO-1001-F |
| A5RP1                | 1810-0382      | 1   | 24  | NETWORK-RES 10-SIP100.0 OHM X 9         | 01121    | 210A101          |
| A5RP2                | 1810-0382      | 1   |     | NETWORK-RES 10-SIP100.0 OHM X 9         | 01121    | 210A101          |
| A5RP3                | 1810-0270      | 6   | 1   | NETWORK-RES 10-SIP680.0 OHM X 9         | 01121    | 210A681          |
| A5RP4                | 1810-0382      | 1   |     | NETWORK-RES 10-SIP100.0 OHM X 9         | 01121    | 210A101          |
| A5RP5                | 1810-0382      | 1   |     | NETWORK-RES 10-SIP100.0 OHM X 9         | 01121    | 210A101          |
| A5RP6                | 1810-0275      | 1   | 1   | NETWORK-RES 10-SIP1.0K OHM X 9          | 01121    | 210A102          |
| A5RP7                | 1810-0382      | 1   |     | NETWORK-RES 10-SIP100.0 OHM X 9         | 01121    | 210A101          |
| A5RP8                | 1810-0382      | 1   |     | NETWORK-RES 10-SIP100.0 OHM X 9         | 01121    | 210A101          |
| A5RP9                | 1810-0382      | 1   |     | NETWORK-RES 10-SIP100.0 OHM X 9         | 01121    | 210A101          |
| A5RP10               | 1810-0382      | 1   |     | NETWORK-RES 10-SIP100.0 OHM X 9         | 01121    | 210A101          |
| A5RP11               | 1810-0382      | 1   |     | NETWORK-RES 10-SIP100.0 OHM X 9         | 01121    | 210A101          |
| A5RP12               | 1810-0382      | 1   |     | NETWORK-RES 10-SIP100.0 OHM X 9         | 01121    | 210A101          |
| A5RP13               | 1810-0382      | 1   |     | NETWORK-RES 10-SIP100.0 OHM X 9         | 01121    | 210A101          |
| A5RP14               | 1810-0350      | 3   | 2   | NETWORK-RES 8-SIP100.0 OHM X 4          | 01121    | 208B101          |
| A5RP15               | 1810-0382      | 1   |     | NETWORK-RES 10-SIP100.0 OHM X 9         | 01121    | 210A101          |
| A5RP16               | 1810-0382      | 1   |     | NETWORK-RES 10-SIP100.0 OHM X 9         | 01121    | 210A101          |
| A5RP17               | 1810-0382      | 1   |     | NETWORK-RES 10-SIP100.0 OHM X 9         | 01121    | 210A101          |
| A5RP18               | 1810-0350      | 3   |     | NETWORK-RES 8-SIP100.0 OHM X 4          | 01121    | 208B101          |
| A5RP19               | 1810-0382      | 1   |     | NETWORK-RES 10-SIP100.0 OHM X 9         | 01121    | 210A101          |
| A5RP20               | 1810-0382      | 1   |     | NETWORK-RES 10-SIP100.0 OHM X 9         | 01121    | 210A101          |
| A5RP21               | 1810-0382      | 1   |     | NETWORK-RES 10-SIP100.0 OHM X 9         | 01121    | 210A101          |
| A5RP22               | 1810-0382      | 1   |     | NETWORK-RES 10-SIP100.0 OHM X 9         | 01121    | 210A101          |
| A5RP23               | 1810-0382      | 1   |     | NETWORK-RES 10-SIP100.0 OHM X 9         | 01121    | 210A101          |
| A5RP24               | 1810-0382      | 1   |     | NETWORK-RES 10-SIP100.0 OHM X 9         | 01121    | 210A101          |
| A5RP25               | 1810-0382      | 1   |     | NETWORK-RES 10-SIP100.0 OHM X 9         | 01121    | 210A101          |
| A5RP26               | 1810-0382      | 1   |     | NETWORK-RES 10-SIP100.0 OHM X 9         | 01121    | 210A101          |
| A5RP27               | 1810-0382      | 1   |     | NETWORK-RES 10-SIP100.0 OHM X 9         | 01121    | 210A101          |
| A5RP28               | 1810-0382      | 1   |     | NETWORK-RES 10-SIP100.0 OHM X 9         | 01121    | 210A101          |
| A5TP1                | 1250-1737      | 4   | 1   | COAXIAL TEST POINT                      | 28480    | 1250-1737        |
| A5U1J                | 1820-1831      | 8   | 1   | IC GATE ECL OR QUAD 2-INP               | 04713    | MC10103L         |
| A5U1K                | 1820-3102      | 0   | 7   | IC CNTR ECL BIN SYNCHRO POS-EDGE-TRIG   | 85008    | MC10H016         |
| A5U1L                | 1820-3102      | 0   |     | IC CNTR ECL BIN SYNCHRO POS-EDGE-TRIG   | 85008    | MC10H016         |
| A5U2A                | 1858-0058      | 8   | 2   | TRANSISTOR ARRAY 14-PIN PLSTC TO-116    | 04713    | MPQ3906          |
| A5U2D                | 1820-0810      | 1   | 1   | IC RCVR ECL LINE RCVR TPL 2-INP         | 04713    | MC10116P         |
| A5U2G                | 1820-0825      | 8   | 1   | IC SHF-RGTR ECL D-TYPE PRL-IN PRL-OUT   | 04713    | MC10141L         |
| A5U2H                | 1820-1225      | 4   | 3   | IC FF ECL D-M/S DUAL                    | 04713    | MC10231P         |
| A5U2I                | 1820-0820      | 3   | 3   | IC FF ECL J-BAR K-BAR COM CLOCK DUAL    | 04713    | MC10135L         |
| A5U2J                | 1820-0806      | 5   | 2   | IC GATE ECL OR-NOR DUAL 4-5-INP         | 04713    | MC10109P         |
| A5U2K                | 1820-3102      | 0   |     | IC CNTR ECL BIN SYNCHRO POS-EDGE-TRIG   | 85008    | MC10H016         |
| A5U2L                | 1820-3102      | 0   |     | IC CNTR ECL BIN SYNCHRO POS-EDGE-TRIG   | 85008    | MC10H016         |
| A5U3A                | 1858-0021      | 5   | 2   | TRANSISTOR ARRAY 16-PIN PLSTC           | 3L585    | CA3083           |
| A5U3B                | 1858-0021      | 5   |     | TRANSISTOR ARRAY 16-PIN PLSTC           | 3L585    | CA3083           |
| A5U3C                | 1858-0058      | 8   |     | TRANSISTOR ARRAY 14-PIN PLSTC TO-116    | 04713    | MPQ3906          |
| A5U3D                | 1820-0802      | 1   | 6   | IC GATE ECL NOR QUAD 2-INP              | 04713    | MC10102P         |
| A5U3E                | 1820-1400      | 7   | 2   | IC GATE ECL AND QUAD 2-INP              | 04713    | MC10104P         |
| A5U3F                | 1820-2848      | 9   | 5   | IC-MC10H131P                            | 28480    | 1820-2848        |
| A5U3G                | 1820-2849      | 0   | 7   | IC-MC10H131P                            | 28480    | 1820-2849        |
| A5U3H                | 1820-0820      | 3   |     | IC FF ECL J-BAR K-BAR COM CLOCK DUAL    | 04713    | MC10135L         |
| A5U3I                | 1820-1788      | 4   | 1   | IC CNTR FCL BIN SYNCHRO POS-EDGE-TRIG   | 07263    | F10016DC         |
| A5U3J                | 1820-1359      | 5   | 5   | IC MUXR/DATA-SEL ECL 4-TO-1-LINE DUAL   | 04713    | MC10174P         |
| A5U3K                | 1820-1359      | 5   |     | IC MUXR/DATA-SEL ECL 4-TO-1-LINE DUAL   | 04713    | MC10174P         |
| A5U3L                | 1820-1359      | 5   |     | IC MUXR/DATA-SEL ECL 4-TO-1-LINE DUAL   | 04713    | MC10174P         |
| A5U4C                | 1820-2193      | 7   | 3   | IC FF ECL D-M/S POS-EDGE-TRIG COM CLOCK | 04713    | MC10176L         |
| A5U4D                | 1820-0827      | 0   | 1   | IC DCDR ECL BIN 3-TO-8-LINE             | 04713    | MC10161P         |
| A5U4E                | 1820-2848      | 9   |     | IC-MC10H131P                            | 28480    | 1820-2848        |
| A5U4F                | 1810-0610      | 8   | 2   | DELAY LINE- 19NS X 4                    | 28480    | 1810-0610        |
| A5U4G                | 1820-2823      | 0   | 1   | IC-MC10H10Z                             | 28480    | 1820-2823        |
| A5U4H                | 1820-1225      | 4   |     | IC FF ECL D-M/S DUAL                    | 04713    | MC10231P         |
| A5U4I                | 1820-0802      | 1   |     | IC GATE ECL NOR QUAD 2-INP              | 04713    | MC10102P         |
| A5U4J                | 1820-0817      | 8   | 2   | IC FF ECL D-M/S DUAL                    | 04713    | MC10131P         |
| A5U4K                | 1820-1359      | 5   |     | IC MUXR/DATA-SEL ECL 4-TO-1-LINE DUAL   | 04713    | MC10174P         |
| A5U4L                | 1820-1359      | 5   |     | IC MUXR/DATA-SEL ECL 4-TO-1-LINE DUAL   | 04713    | MC10174P         |
| A5U5B                | 1813-0425      | 9   | 1   | OSCILLATOR 200 MHZ                      | 28480    | 1813-0425        |
| A5U5C                | 1820-2193      | 7   |     | IC FF ECL D-M/S POS-EDGE-TRIG COM CLOCK | 04713    | MC10176L         |
| A5U5D                | 1820-0802      | 1   |     | IC GATE ECL NOR QUAD 2-INP              | 04713    | MC10102P         |
| A5U5E                | 1820-2848      | 9   |     | IC-MC10H131P                            | 28480    | 1820-2848        |
| A5U5F                | 1810-0610      | 8   |     | DELAY LINE- 19NS X 4                    | 28480    | 1810-0610        |
| A5U5G                | 1820-2849      | 0   |     | IC-MC10H131P                            | 28480    | 1820-2849        |
| A5U5H                | 1820-1225      | 4   |     | IC FF ECL D-M/S DUAL                    | 04713    | MC10231P         |

See introduction to this section for ordering information

Table 6-2. Replaceable Parts (Cont'd)

| Reference Designator | HP Part Number | C D | Qty | Description                             | Mfr Code | Mfr Part Number |
|----------------------|----------------|-----|-----|---|----------|-----------------|
| ASU5I                | 1820-0804      | 3   | 1   | IC GATE ECL NOR TPL                     | 04713    | MC10106P        |
| ASU5J                | 1820-0802      | 1   |     | IC GATE ECL NOR QUAD 2-INP              | 04713    | MC10102P        |
| ASU5K                | 1820-2475      | 8   | 2   | IC LCH ECL GATED D NEG-EDGE-TRIG COM    | 04713    | MC10133P        |
| ASU5L                | 1820-2475      | 8   |     | IC LCH ECL GATED D NEG-EDGE-TRIG COM    | 04713    | MC10133P        |
| ASU6A                | 1820-2848      | 9   |     | IC-MC10H131P                            | 28480    | 1820-2848       |
| ASU6B                | 1820-0817      | 8   |     | IC FF ECL D-M/S DUAL                    | 04713    | MC10131P        |
| ASU6C                | 1820-2847      | 8   | 1   | IC-MC10153P                             | 28480    | 1820-2847       |
| ASU6D                | 1820-2193      | 7   |     | IC FF ECL D-M/S POS-EDGE-TRIG COM CLOCK | 04713    | MC10176L        |
| ASU6F                | 1820-2905      | 9   | 2   | IC-SC25647                              | 28480    | 1820-2905       |
| ASU6I                | 1816-1462      | 2   | 8   | IC ECL/10K 1024 (1K) STAT RAM 10-NS 0-E | 50167    | MBM10422H       |
| ASU6J                | 1816-1462      | 2   |     | IC ECL/10K 1024 (1K) STAT RAM 10-NS 0-E | 50167    | MBM10422H       |
| ASU6K                | 1816-1462      | 2   |     | IC ECL/10K 1024 (1K) STAT RAM 10-NS 0-E | 50167    | MBM10422H       |
| ASU6L                | 1816-1462      | 2   |     | IC ECL/10K 1024 (1K) STAT RAM 10-NS 0-E | 50167    | MBM10422H       |
| ASU7A                | 1820-2849      | 0   |     | IC-MC10H131P                            | 28480    | 1820-2849       |
| ASU7B                | 1820-2849      | 0   |     | IC-MC10H131P                            | 28480    | 1820-2849       |
| ASU7C                | 1820-3102      | 0   |     | IC CNTR ECL BIN SYNCHRO POS-EDGE-TRIG   | 85008    | MC10H016        |
| ASU7D                | 1820-0802      | 1   |     | IC GATE ECL NOR QUAD 2-INP              | 04713    | MC10102P        |
| ASU8B                | 1820-2849      | 0   |     | IC-MC10H131P                            | 28480    | 1820-2849       |
| ASU8C                | 1820-2875      | 2   | 2   | IC-MC10H164P                            | 28480    | 1820-2875       |
| ASU8D                | 1820-2875      | 2   |     | IC-MC10H164P                            | 28480    | 1820-2875       |
| ASU8F                | 1820-2905      | 9   |     | IC-SC25647                              | 28480    | 1820-2905       |
| ASU8I                | 1816-1462      | 2   |     | IC ECL/10K 1024 (1K) STAT RAM 10-NS 0-E | 50167    | MBM10422H       |
| ASU8J                | 1816-1462      | 2   |     | IC ECL/10K 1024 (1K) STAT RAM 10-NS 0-E | 50167    | MBM10422H       |
| ASU8K                | 1816-1462      | 2   |     | IC ECL/10K 1024 (1K) STAT RAM 10-NS 0-E | 50167    | MBM10422H       |
| ASU8L                | 1816-1462      | 2   |     | IC ECL/10K 1024 (1K) STAT RAM 10-NS 0-E | 50167    | MBM10422H       |
| ASU9B                | 1820-1400      | 7   |     | IC GATE ECL AND QUAD 2-INP              | 04713    | MC10104P        |
| ASU9C                | 1820-2849      | 0   |     | IC-MC10H131P                            | 28480    | 1820-2849       |
| ASU9D                | 1820-2849      | 0   |     | IC-MC10H131P                            | 28480    | 1820-2849       |
| ASU9E                | 1820-0802      | 1   |     | IC GATE ECL NOR QUAD 2-INP              | 04713    | MC10102P        |
| ASU9F                | 1820-0806      | 5   |     | IC GATE ECL OR-NOR DUAL 4-5-INP         | 04713    | MC10109P        |
| ASU9G                | 1820-2848      | 9   |     | IC-MC10H131P                            | 28480    | 1820-2848       |
| ASU9H                | 1820-1946      | 6   | 1   | IC GATE ECL DUAL                        | 04713    | MC10117L        |
| ASU9I                | 1820-2821      | 8   | 1   | IC-MC10159P                             | 28480    | 1820-2821       |
| ASU9J                | 1820-0820      | 3   |     | IC FF ECL J-BAR K-BAR COM CLOCK DUAL    | 04713    | MC10135L        |
| ASU9K                | 1820-3102      | 0   |     | IC CNTR ECL BIN SYNCHRO POS-EDGE-TRIG   | 85008    | MC10H016        |
| ASU9L                | 1820-3102      | 0   |     | IC CNTR ECL BIN SYNCHRO POS-EDGE-TRIG   | 85008    | MC10H016        |
| ASXU6F               | 1200-1001      | 0   | 2   | SOCKET-68 PIN                           | 28480    | 1200-1001       |
| ASXU8F               | 1200-1001      | 0   |     | SOCKET-68 PIN                           | 28480    | 1200-1001       |

See introduction to this section for ordering information

Table 6-2. Replaceable Parts (Cont'd)

| Reference Designator | HP Part Number | C D | Qty | Description                          | Mfr Code | Mfr Part Number |
|----------------------|----------------|-----|-----|--------------------------------------|----------|-----------------|
| A7                   | 01630-66504    | 7   | 1   | KEYBOARD ASSEMBLY (INCLUDES KEYCAPS) | 28480    | 01630-66504     |
|                      | 1200-0474      | 9   | 1   | SOCKET-IC 14-CONT DIP-SLDR           | 28480    | 1200-0474       |
|                      | 3101-2603      | 2   | 38  | KEY SWITCH-SPST                      | 28480    | 3101-2603       |
|                      | 5041-0433      | 6   | 1   | KEY CAP (BLUE)                       | 28480    | 5041-0433       |
|                      | 5041-0655      | 4   | 1   | KEY CAP-INSERT                       | 28480    | 5041-0655       |
|                      | 5041-0900      | 2   | 1   | KEYCAP-A                             | 28480    | 5041-0900       |
|                      | 5041-0901      | 3   | 1   | KEYCAP-B                             | 28480    | 5041-0901       |
|                      | 5041-0902      | 4   | 1   | KEYCAP-C                             | 28480    | 5041-0902       |
|                      | 5041-0903      | 5   | 1   | KEYCAP-D                             | 28480    | 5041-0903       |
|                      | 5041-0906      | 8   | 1   | KEYCAP-0                             | 28480    | 5041-0906       |
|                      | 5041-0907      | 9   | 1   | KEYCAP-1                             | 28480    | 5041-0907       |
|                      | 5041-0908      | 0   | 1   | KEYCAP-2                             | 28480    | 5041-0908       |
|                      | 5041-0909      | 1   | 1   | KEYCAP-3                             | 28480    | 5041-0909       |
|                      | 5041-0910      | 4   | 1   | KEYCAP-4                             | 28480    | 5041-0910       |
|                      | 5041-0911      | 5   | 1   | KEYCAP-5                             | 28480    | 5041-0911       |
|                      | 5041-0912      | 6   | 1   | KEYCAP-6                             | 28480    | 5041-0912       |
|                      | 5041-0913      | 7   | 1   | KEYCAP-7                             | 28480    | 5041-0913       |
|                      | 5041-0914      | 8   | 1   | KEYCAP-8                             | 28480    | 5041-0914       |
|                      | 5041-2777      | 5   | 1   | KEYCAP-PREV                          | 28480    | 5041-2777       |
|                      | 5041-2778      | 6   | 1   | KEYCAP-NEXT                          | 28480    | 5041-2778       |
|                      | 5041-2779      | 7   | 1   | KEYCAP-CHART                         | 28480    | 5041-2779       |
|                      | 5041-2780      | 0   | 1   | KEYCAP-WFORM                         | 28480    | 5041-2780       |
|                      | 5041-2781      | 1   | 1   | KEYCAP-SYSTEM                        | 28480    | 5041-2781       |
|                      | 5041-2782      | 2   | 1   | KYCP-ARROW UP LT                     | 28480    | 5041-2782       |
|                      | 5041-2783      | 3   | 1   | KYCP-DON'T CARE                      | 28480    | 5041-2783       |
|                      | 5041-2784      | 4   | 1   | KEYCAP-E                             | 28480    | 5041-2784       |
|                      | 5041-2785      | 5   | 1   | KEYCAP-F                             | 28480    | 5041-2785       |
|                      | 5041-2786      | 6   | 1   | KYCP-ARROW SIDE DK                   | 28480    | 5041-2786       |
|                      | 5041-2787      | 7   | 1   | KYCP-ARROW UP DK                     | 28480    | 5041-2787       |
|                      | 5041-2788      | 8   | 1   | KEYCAP-RUN                           | 28480    | 5041-2788       |
|                      | 5041-2789      | 9   | 1   | KEYCAP-STOP                          | 28480    | 5041-2789       |
|                      | 5041-2790      | 2   | 1   | KEYCAP-PRINT                         | 28480    | 5041-2790       |
|                      | 5041-2791      | 3   | 1   | KYCP-CLEAR ENTRY                     | 28480    | 5041-2791       |
|                      | 5041-2792      | 4   | 1   | KEYCAP-LIST                          | 28480    | 5041-2792       |
|                      | 5041-2793      | 5   | 1   | KEYCAP-FORMAT                        | 28480    | 5041-2793       |
|                      | 5041-2794      | 6   | 1   | KEYCAP-TRACE                         | 28480    | 5041-2794       |
|                      | 5041-2795      | 7   | 1   | KEYCAP-CHS                           | 28480    | 5041-2795       |

See introduction to this section for ordering information



Table 6-2. Replaceable Parts (Cont'd)

| Reference Designator | HP Part Number | C D | Qty | Description                           | Mfr Code | Mfr Part Number  |
|----------------------|----------------|-----|-----|---------------------------------------|----------|------------------|
| A8                   | 01630-66508    | 1   | 1   | TIMING SLAVE ASSEMBLY (1630D ONLY)    | 28480    | 01630-66508      |
| A8C1                 | 0160-5298      | 8   | 35  | CAPACITOR-FXD .01UF +-20% 100VDC CER  | 28480    | 0160-5298        |
| A8C2                 | 0160-5298      | 8   |     | CAPACITOR-FXD .01UF +-20% 100VDC CER  | 28480    | 0160-5298        |
| A8C3                 | 0160-5298      | 8   |     | CAPACITOR-FXD .01UF +-20% 100VDC CER  | 28480    | 0160-5298        |
| A8C4                 | 0160-5298      | 8   |     | CAPACITOR-FXD .01UF +-20% 100VDC CER  | 28480    | 0160-5298        |
| A8C5                 | 0160-5298      | 8   |     | CAPACITOR-FXD .01UF +-20% 100VDC CER  | 28480    | 0160-5298        |
| A8C6                 | 0160-5298      | 8   |     | CAPACITOR-FXD .01UF +-20% 100VDC CER  | 28480    | 0160-5298        |
| A8C7                 | 0160-5298      | 8   |     | CAPACITOR-FXD .01UF +-20% 100VDC CER  | 28480    | 0160-5298        |
| A8C8                 | 0160-5298      | 8   |     | CAPACITOR-FXD .01UF +-20% 100VDC CER  | 28480    | 0160-5298        |
| A8C9                 | 0160-5298      | 8   |     | CAPACITOR-FXD .01UF +-20% 100VDC CER  | 28480    | 0160-5298        |
| A8C10                | 0160-5298      | 8   |     | CAPACITOR-FXD .01UF +-20% 100VDC CER  | 28480    | 0160-5298        |
| A8C11                | 0160-5298      | 8   |     | CAPACITOR-FXD .01UF +-20% 100VDC CER  | 28480    | 0160-5298        |
| A8C12                | 0160-5298      | 8   |     | CAPACITOR-FXD .01UF +-20% 100VDC CER  | 28480    | 0160-5298        |
| A8C13                | 0160-5506      | 1   | 1   | CAPACITOR-FXD 300PF 50VDC             | 28480    | 0160-5506        |
| A8C14                | 0160-5298      | 8   |     | CAPACITOR-FXD .01UF +-20% 100VDC CER  | 28480    | 0160-5298        |
| A8C15                | 0160-5298      | 8   |     | CAPACITOR-FXD .01UF +-20% 100VDC CER  | 28480    | 0160-5298        |
| A8C16                | 0160-5298      | 8   |     | CAPACITOR-FXD .01UF +-20% 100VDC CER  | 28480    | 0160-5298        |
| A8C17                | 0160-5298      | 8   |     | CAPACITOR-FXD .01UF +-20% 100VDC CER  | 28480    | 0160-5298        |
| A8C18                | 0160-5298      | 8   |     | CAPACITOR-FXD .01UF +-20% 100VDC CER  | 28480    | 0160-5298        |
| A8C19                | 0160-5298      | 8   |     | CAPACITOR-FXD .01UF +-20% 100VDC CER  | 28480    | 0160-5298        |
| A8C20                | 0160-5298      | 8   |     | CAPACITOR-FXD .01UF +-20% 100VDC CER  | 28480    | 0160-5298        |
| A8C21                | 0160-5298      | 8   |     | CAPACITOR-FXD .01UF +-20% 100VDC CER  | 28480    | 0160-5298        |
| A8C22                | 0160-5298      | 8   |     | CAPACITOR-FXD .01UF +-20% 100VDC CER  | 28480    | 0160-5298        |
| A8C23                | 0160-5298      | 8   |     | CAPACITOR-FXD .01UF +-20% 100VDC CER  | 28480    | 0160-5298        |
| A8C24                | 0160-5298      | 8   |     | CAPACITOR-FXD .01UF +-20% 100VDC CER  | 28480    | 0160-5298        |
| A8C25                | 0160-5298      | 8   |     | CAPACITOR-FXD .01UF +-20% 100VDC CER  | 28480    | 0160-5298        |
| A8C26                | 0160-5298      | 8   |     | CAPACITOR-FXD .01UF +-20% 100VDC CER  | 28480    | 0160-5298        |
| A8C27                | 0160-5298      | 8   |     | CAPACITOR-FXD .01UF +-20% 100VDC CER  | 28480    | 0160-5298        |
| A8C28                | 0160-5298      | 8   |     | CAPACITOR-FXD .01UF +-20% 100VDC CER  | 28480    | 0160-5298        |
| A8C29                | 0160-5298      | 8   |     | CAPACITOR-FXD .01UF +-20% 100VDC CER  | 28480    | 0160-5298        |
| A8C30                | 0160-5298      | 8   |     | CAPACITOR-FXD .01UF +-20% 100VDC CER  | 28480    | 0160-5298        |
| A8C31                | 0160-5298      | 8   |     | CAPACITOR-FXD .01UF +-20% 100VDC CER  | 28480    | 0160-5298        |
| A8C32                | 0160-5298      | 8   |     | CAPACITOR-FXD .01UF +-20% 100VDC CER  | 28480    | 0160-5298        |
| A8C33                | 0160-5298      | 8   |     | CAPACITOR-FXD .01UF +-20% 100VDC CER  | 28480    | 0160-5298        |
| A8C34                | 0160-5298      | 8   |     | CAPACITOR-FXD .01UF +-20% 100VDC CER  | 28480    | 0160-5298        |
| A8C35                | 0160-5298      | 8   |     | CAPACITOR-FXD .01UF +-20% 100VDC CER  | 28480    | 0160-5298        |
| A8C36                | 0160-5298      | 8   |     | CAPACITOR-FXD .01UF +-20% 100VDC CER  | 28480    | 0160-5298        |
| A8C37                | 0180-0229      | 7   | 2   | CAPACITOR-FXD 33UF+-10% 10VDC TA      | 56289    | 1500336X9010B2   |
| A8C38                | 0180-0229      | 7   |     | CAPACITOR-FXD 33UF+-10% 10VDC TA      | 56289    | 1500336X9010B2   |
| A8J1                 | 1251-7705      | 0   | 1   | CONNECTOR-28 CONTACT (MALE)           | 28480    | 1251-7705        |
| A8MP1                | 1205-0484      | 1   | 2   | HEAT SINK SOCKET                      | 28480    | 1205-0484        |
| A8P1                 | 1251-7868      | 6   | 1   | CONNECTOR-100 CONTACT (FEMALE)        | 28480    | 1251-7868        |
| A8R1                 | 0757-0280      | 3   | 1   | RESISTOR 1K 1% .125W F TC=0+-100      | 24546    | C4-1/8-TO-1001-F |
| A8RP1                | 1810-0382      | 1   | 13  | NETWORK-RES 10-SIP100.0 OHM X 9       | 01121    | 210A101          |
| A8RP2                | 1810-0382      | 1   |     | NETWORK-RES 10-SIP100.0 OHM X 9       | 01121    | 210A101          |
| A8RP3                | 1810-0382      | 1   |     | NETWORK-RES 10-SIP100.0 OHM X 9       | 01121    | 210A101          |
| A8RP4                | 1810-0382      | 1   |     | NETWORK-RES 10-SIP100.0 OHM X 9       | 01121    | 210A101          |
| A8RP5                | 1810-0382      | 1   |     | NETWORK-RES 10-SIP100.0 OHM X 9       | 01121    | 210A101          |
| A8RP6                | 1810-0382      | 1   |     | NETWORK-RES 10-SIP100.0 OHM X 9       | 01121    | 210A101          |
| A8RP7                | 1810-0350      | 3   | 2   | NETWORK-RES 8-SIP100.0 OHM X 4        | 01121    | 208B101          |
| A8RP8                | 1810-0382      | 1   |     | NETWORK-RES 10-SIP100.0 OHM X 9       | 01121    | 210A101          |
| A8RP9                | 1810-0382      | 1   |     | NETWORK-RES 10-SIP100.0 OHM X 9       | 01121    | 210A101          |
| A8RP10               | 1810-0350      | 3   |     | NETWORK-RES 8-SIP100.0 OHM X 4        | 01121    | 208B101          |
| A8RP11               | 1810-0382      | 1   |     | NETWORK-RES 10-SIP100.0 OHM X 9       | 01121    | 210A101          |
| A8RP12               | 1810-0382      | 1   |     | NETWORK-RES 10-SIP100.0 OHM X 9       | 01121    | 210A101          |
| A8RP13               | 1810-0382      | 1   |     | NETWORK-RES 10-SIP100.0 OHM X 9       | 01121    | 210A101          |
| A8RP14               | 1810-0382      | 1   |     | NETWORK-RES 10-SIP100.0 OHM X 9       | 01121    | 210A101          |
| A8RP15               | 1810-0382      | 1   |     | NETWORK-RES 10-SIP100.0 OHM X 9       | 01121    | 210A101          |
| A8U1C                | 1820-2848      | 9   | 4   | IC-MC10H131P                          | 28480    | 1820-2848        |
| A8U1D                | 1820-2848      | 9   |     | IC-MC10H131P                          | 28480    | 1820-2848        |
| A8U2C                | 1820-2848      | 9   |     | IC-MC10H131P                          | 28480    | 1820-2848        |
| A8U2D                | 1820-2821      | 8   | 1   | IC-MC10159P                           | 28480    | 1820-2821        |
| A8U2F                | 1820-0820      | 3   | 2   | IC FF ECL J-BAR K-BAR COM CLOCK DUAL  | 04713    | MC10135L         |
| A8U2H                | 1820-3102      | 0   | 3   | IC CNTR ECL BIN SYNCHRO POS-EDGE-TRIG | 85008    | MC10H016         |
| A8U2I                | 1820-3102      | 0   |     | IC CNTR ECL BIN SYNCHRO POS-EDGE-TRIG | 85008    | MC10H016         |
| A8U3A                | 1820-1831      | 8   | 1   | IC GATE ECL OR QUAD 2-INP             | 04713    | MC10103L         |
| A8U3B                | 1820-0802      | 1   | 3   | IC GATE ECL NOR QUAD 2-INP            | 04713    | MC10102P         |
| A8U3C,U3D            | 1810-0610      | 8   | 2   | DELAY LINE- 19NS X 4                  | 28480    | 1810-0610        |
| A8U3E                | 1820-0802      | 1   |     | IC GATE ECL NOR QUAD 2-INP            | 04713    | MC10102P         |
| A8U3F                | 1820-1400      | 7   | 2   | IC GATE ECL AND QUAD 2-INP            | 04713    | MC10104P         |

See introduction to this section for ordering information

Table 6-2. Replaceable Parts (Cont'd)

| Reference Designator | HP Part Number | C D | Qty | Description                             | Mfr Code | Mfr Part Number |
|----------------------|----------------|-----|-----|---|----------|-----------------|
| A8U3H                | 1820-2023      | 2   | 1   | IC GATE ECL AND HEX 2-INP               | 04713    | MC10197P        |
| A8U3I                | 1820-2847      | 8   | 1   | IC-MC10153P                             | 28480    | 1020-2847       |
| A8U3J                | 1820-0802      | 1   |     | IC GATE ECL NOR QUAD 2-INP              | 04713    | MC10102P        |
| A8U4C                | 1820-2905      | 9   | 2   | IC-SC25647                              | 28480    | 1820-2905       |
| A8U4F                | 1816-1462      | 2   | 8   | IC ECL/10K 1024 (1K) STAT RAM 10-NS 0-E | S0167    | MBM10422H       |
| A8U4G                | 1816-1462      | 2   |     | IC ECL/10K 1024 (1K) STAT RAM 10-NS 0-E | S0167    | MBM10422H       |
| A8U4I                | 1816-1462      | 2   |     | IC ECL/10K 1024 (1K) STAT RAM 10-NS 0-E | S0167    | MBM10422H       |
| A8U4J                | 1816-1462      | 2   |     | IC ECL/10K 1024 (1K) STAT RAM 10-NS 0-E | S0167    | MBM10422H       |
| A8U5C                | 1820-2905      | 9   |     | IC-SC25647                              | 28480    | 1820-2905       |
| A8U5F                | 1816-1462      | 2   |     | IC ECL/10K 1024 (1K) STAT RAM 10-NS 0-E | S0167    | MBM10422H       |
| A8U5G                | 1816-1462      | 2   |     | IC ECL/10K 1024 (1K) STAT RAM 10-NS 0-E | S0167    | MBM10422H       |
| A8U5I                | 1816-1462      | 2   |     | IC ECL/10K 1024 (1K) STAT RAM 10-NS 0-E | S0167    | MBM10422H       |
| A8U5J                | 1816-1462      | 2   |     | IC ECL/10K 1024 (1K) STAT RAM 10-NS 0-E | S0167    | MBM10422H       |
| A8U6A                | 1820-0806      | 5   | 1   | IC GATE ECL OR-NOR DUAL 4-5-INP         | 04713    | MC10109P        |
| A8U6B                | 1820-2849      | 0   | 1   | IC-MC10H131P                            | 28480    | 1820-2849       |
| A8U6C                | 1820-2848      | 9   |     | IC-MC10H131P                            | 28480    | 1820-2848       |
| A8U6D                | 1820-1225      | 4   | 2   | IC FF ECL D-M/S DUAL                    | 04713    | MC10231P        |
| A8U6E                | 1820-1225      | 4   |     | IC FF ECL D-M/S DUAL                    | 04713    | MC10231P        |
| A8U6F                | 1820-1946      | 6   | 1   | IC GATE ECL DUAL                        | 04713    | MC10117L        |
| A8U6G                | 1820-1400      | 7   |     | IC GATE ECL AND QUAD 2-INP              | 04713    | MC10104P        |
| A8U6H                | 1820-0820      | 3   |     | IC FF ECL J-BAR K-BAR COM CLOCK DUAL    | 04713    | MC10135L        |
| A8U6I                | 1820-1788      | 4   | 1   | IC CNTR ECL BIN SYNCHRO POS-EDGE-TRIG   | 07263    | F10016DC        |
| A8XU4C               | 1200-1001      | 0   | 2   | SOCKET-68 PIN                           | 28480    | 1200-1001       |
| A8XU5C               | 1200-1001      | 0   |     | SOCKET-68 PIN                           | 28480    | 1200-1001       |

See introduction to this section for ordering information



Table 6-2. Replaceable Parts (Cont'd)

| Reference Designator | HP Part Number | C D | Qty | Description                             | Mfr Code | Mfr Part Number |
|----------------------|----------------|-----|-----|---|----------|-----------------|
| A9                   | 10271A         | 6   | 3   | STATE MASTER PROBE                      | 28480    | 10271A          |
| A9MP1                | 10271-61601    | 9   | 1   | CBL ASSY-TERMINATED                     | 28480    | 10271-61601     |
| A9MP2                | 5041-3185      | 1   | 1   | POD-BOTTOM DARK                         | 28480    | 5041-3185       |
| A9MP3                | 5041-3189      | 5   | 1   | POD-TOP DARK                            | 28480    | 5041-3189       |
| A9MP4                | 10271-63201    | 9   | 1   | CLIP ASSY-10 CHAN                       | 28480    | 10271-63201     |
| A9MP5                | 10230-62101    | 7   | 11  | GRABBER ASSY                            | 28480    | 10230-62101     |
| A9U1                 | 1NB7-8023      | 0   | 1   | 10 CHAN-HYB                             | 28480    | 1NB7-8023       |
|                      | 7121-3655      | 2   | 1   | LABEL-STAT POD 3                        | 28480    | 7121-3655       |
|                      | 7121-3656      | 3   | 1   | LABEL-STAT POD 2                        | 28480    | 7121-3656       |
|                      | 7121-3660      | 9   | 1   | LABEL-STAT POD 4                        | 28480    | 7121-3660       |
|                      | 7121-3738      | 2   | 1   | LABEL-ID 10271A                         | 28480    | 7121-3738       |
|                      | 10271-90901    | 3   | 1   | OPERATING NOTE                          | 28480    | 10271-90901     |
| A10                  | 10272A         | 7   | AR  | TIMING PROBE (1630A QTY 1, 1630D QTY 2) | 28480    | 10272A          |
| A10MP1               | 10271-61601    | 9   | 1   | CABLE ASSY-TERMINATED                   | 28480    | 10271-61601     |
| A10MP2               | 5041-3188      | 4   | 1   | PCD-BOTH LIGHT                          | 28480    | 5041-3188       |
| A10MP3               | 5041-3187      | 3   | 1   | PCD-TOP LIGHT                           | 28480    | 5041-3187       |
| A10MP4               | 10272-63201    | 0   | 1   | CLIP ASSY-8 CHAN                        | 28480    | 10272-63201     |
| A10MP5               | 10230-62101    | 7   | 9   | GRABBER ASSY                            | 28480    | 10230-62101     |
| A10U1                | 1NB7-8022      | 9   | 1   | 8 CHAN-HYB                              | 28480    | 1NB7-8022       |
|                      | 7121-3661      | 0   | 1   | LBL-ST/TIM POD 0                        | 28480    | 7121-3661       |
|                      | 7121-3662      | 1   | 1   | LBL-ST/TIM POD 1                        | 28480    | 7121-3662       |
|                      | 7121-3737      | 1   | 1   | LABEL-ID 10272A                         | 28480    | 7121-3737       |
|                      | 10271-90901    | 3   | 1   | OPERATING NOTE                          | 28480    | 10271-90901     |

See introduction to this section for ordering information





Model 1630A/D/G-Replaceable Parts

Table 6-2. Replaceable Parts (Cont'd)

| Reference Designator | HP Part Number | C D | Qty | Description                            | Mfr Code                           | Mfr Part Number  |
|----------------------|----------------|-----|-----|--|------------------------------------|------------------|
| A11C73               | 0160-5298      | 8   | 2   | CAPACITOR-FXD .01UF +-20% 100VDC CER   | 28480                              | 0160-5298        |
| A11C74               | 0180-0228      | 6   |     | CAPACITOR-FXD 22UF +-10% 15VDC TA      | 56289                              | 150D226X9015B2   |
| A11C75               | 0160-5298      | 8   |     | CAPACITOR-FXD .01UF +-20% 100VDC CER   | 28480                              | 0160-5298        |
| A11C76               | 0160-5298      | 8   |     | CAPACITOR-FXD .01UF +-20% 100VDC CER   | 28480                              | 0160-5298        |
| A11C77               | 0160-5298      | 8   |     | CAPACITOR-FXD .01UF +-20% 100VDC CER   | 28480                              | 0160-5298        |
| A11C78               | 0160-5298      | 8   |     | CAPACITOR-FXD .01UF +-20% 100VDC CER   | 28480                              | 0160-5298        |
| A11C79               | 0160-5298      | 8   |     | CAPACITOR-FXD .01UF +-20% 100VDC CER   | 28480                              | 0160-5298        |
| A11C80               | 0160-5298      | 8   |     | CAPACITOR-FXD .01UF +-20% 100VDC CER   | 28480                              | 0160-5298        |
| A11C81               | 0160-5298      | 8   |     | CAPACITOR-FXD .01UF +-20% 100VDC CER   | 28480                              | 0160-5298        |
| A11C82               | 0180-0228      | 6   | 3   | CAPACITOR-FXD 22UF +-10% 15VDC TA      | 56289                              | 150D226X9015B2   |
| A11C83               | 0160-5298      | 8   |     | CAPACITOR-FXD .01UF +-20% 100VDC CER   | 28480                              | 0160-5298        |
| A11C84               | 0180-0229      | 7   |     | CAPACITOR-FXD 33UF +-10% 10VDC TA      | 56289                              | 150D336X9010B2   |
| A11C85               | 0160-5298      | 8   |     | CAPACITOR-FXD .01UF +-20% 100VDC CER   | 28480                              | 0160-5298        |
| A11C86               | 0180-0229      | 7   |     | CAPACITOR-FXD 33UF +-10% 10VDC TA      | 56289                              | 150D336X9010B2   |
| A11C87               | 0160-5298      | 8   |     | CAPACITOR-FXD .01UF +-20% 100VDC CER   | 28480                              | 0160-5298        |
| A11C88               | 0180-0229      | 7   |     | CAPACITOR-FXD 33UF +-10% 10VDC TA      | 56289                              | 150D336X9010B2   |
| A11C89               | 0160-5298      | 8   |     | CAPACITOR-FXD .01UF +-20% 100VDC CER   | 28480                              | 0160-5298        |
| A11C90               | 0160-5298      | 8   |     | CAPACITOR-FXD .01UF +-20% 100VDC CER   | 28480                              | 0160-5298        |
| A11CR1               | 1902-3002      | 3   |     | 1                                      | DIODE-ZNR 2.37V 5% DO-7 PD=.4W     | 28480            |
| A11DL1               | 1810-0602      | 8   | 1   | DELAY LINE 7NS                         | 28480                              | 1810-0602        |
| A11J1                | 1251-7705      | 0   | 3   | CONNECTOR-28 CONTACT (MALE)            | 28480                              | 1251-7705        |
| A11J2                | 1251-7705      | 0   |     | CONNECTOR-28 CONTACT (MALE)            | 28480                              | 1251-7705        |
| A11J3                | 1251-7705      | 0   |     | CONNECTOR-28 CONTACT (MALE)            | 28480                              | 1251-7705        |
| A11P1                | 1251-7868      | 6   | 1   | CONNECTOR-100 CONTACT (FEMALE)         | 28480                              | 1251-7868        |
| A11Q1                | 1853-0006      | 6   | 1   | TRANSISTOR PNP SI TO 5 PD=600MW        | 04713                              | 2N3134           |
| A11R1                | 0757-0401      | 0   | 3   | RESISTOR 100 1% .125W F TC=0 +-100     | 24546                              | C4-1/8-TO-101-F  |
| A11R2                | 0757-0394      | 0   |     | RESISTOR 51.1 1% .125W F TC=0 +-100    | 24546                              | C4-1/8-TO-51R1-F |
| A11R3                | 0757-0446      | 3   |     | RESISTOR 15K 1% .125W F TC=0 +-100     | 24546                              | C4-1/8-TO-1502-F |
| A11R4                | 2100-2655      | 1   |     | RESISTOR TRMR 100K 10% C TOP-ADJ 1-TRN | 73138                              | 82PR100K         |
| A11R5                | 0757-0442      | 9   |     | RESISTOR 10K 1% .125W F TC=0 +-100     | 24546                              | C4-1/8-TO-1002-F |
| A11R6                | 0698-3226      | 7   | 1   | RESISTOR 6.49K 1% .125W F TC=0 +-100   | 24546                              | C4-1/8-TO-6491-F |
| A11R7                | 0699-1000      | 3   |     | RESISTOR 4.25K .1%                     | 28480                              | 0699-1000        |
| A11R8                | 0699-1000      | 3   |     | RESISTOR 4.25K .1%                     | 28480                              | 0699-1000        |
| A11R9                | 0699-1000      | 3   |     | RESISTOR 4.25K .1%                     | 28480                              | 0699-1000        |
| A11R10               | 0698-6360      | 6   | 4   | RESISTOR 10K .1% .125W F TC=0 +-25     | 28480                              | 0698-6360        |
| A11R11               | 0698-6360      | 6   |     | RESISTOR 10K .1% .125W F TC=0 +-25     | 28480                              | 0698-6360        |
| A11R12               | 0698-6360      | 6   |     | RESISTOR 10K .1% .125W F TC=0 +-25     | 28480                              | 0698-6360        |
| A11R13               | 0698-6360      | 6   |     | RESISTOR 10K .1% .125W F TC=0 +-25     | 28480                              | 0698-6360        |
| A11R14               | 0699-1000      | 3   |     | RESISTOR 4.26K .1%                     | 28480                              | 0699-1000        |
| A11R15               | 0757-0419      | 0   |     | 1                                      | RESISTOR 681 1% .125W F TC=0 +-100 | 24546            |
| A11R16               | 0757-0280      | 3   | 2   | RESISTOR 1K 1% .125W F TC=0 +-100      | 24546                              | C4-1/8-TO-1001-F |
| A11R17               | 0757-0404      | 3   |     | RESISTOR 130 1% .125W F TC=0 +-100     | 24546                              | C4-1/8-TO-130R-F |
| A11R18               | 0757-0438      | 3   | 1   | RESISTOR 5.11K 1% .125W F TC=0 +-100   | 24546                              | C4-1/8-TO-5111-F |
| A11R19               | 0757-0401      | 0   |     | RESISTOR 100 1% .125W F TC=0 +-100     | 24546                              | C4-1/8-TO-101-F  |
| A11R20               | 0757-0401      | 0   |     | RESISTOR 100 1% .125W F TC=0 +-100     | 24546                              | C4-1/8-TO-101-F  |
| A11R21               | 0757-0280      | 3   |     | RESISTOR 1K 1% .125W F TC=0 +-100      | 24546                              | C4-1/8-TO-1001-F |
| A11RP1               | 1810-0272      | 8   | 7   | NETWORK RES 10-SIP 330 OHM X 9         | 01121                              | 210A331          |
| A11RP2               | 1810-0272      | 8   |     | NETWORK RES 10-SIP 330 OHM X 9         | 01121                              | 210A331          |
| A11RP3               | 1810-0272      | 8   |     | NETWORK RES 10-SIP 330 OHM X 9         | 01121                              | 210A331          |
| A11RP4               | 1810-0272      | 8   |     | NETWORK RES 10-SIP 330 OHM X 9         | 01121                              | 210A331          |
| A11RP5               | 1810-0272      | 8   |     | NETWORK RES 10-SIP 330 OHM X 9         | 01121                              | 210A331          |
| A11RP6               | 1810-0272      | 8   | 14  | NETWORK RES 10-SIP 330 OHM X 9         | 01121                              | 210A331          |
| A11RP7               | 1810-0272      | 8   |     | NETWORK RES 10-SIP 330 OHM X 9         | 01121                              | 210A331          |
| A11RP8               | 1810-0382      | 1   |     | NETWORK RES 10-SIP 100 OHM X 9         | 01121                              | 210A101          |
| A11RP9               | 1810-0382      | 1   |     | NETWORK RES 10-SIP 100 OHM X 9         | 01121                              | 210A101          |
| A11RP10              | 1810-0382      | 1   |     | NETWORK RES 10-SIP 100 OHM X 9         | 01121                              | 210A101          |
| A11RP11              | 1810-0382      | 1   | 1   | NETWORK RES 10-SIP 100 OHM X 9         | 01121                              | 210A101          |
| A11RP12              | 1810-0382      | 1   |     | NETWORK RES 10-SIP 100 OHM X 9         | 01121                              | 210A101          |
| A11RP13              | 1810-0382      | 1   |     | NETWORK RES 10-SIP 100 OHM X 9         | 01121                              | 210A101          |
| A11RP14              | 1810-0382      | 1   |     | NETWORK RES 10-SIP 100 OHM X 9         | 01121                              | 210A101          |
| A11RP15              | 1810-0411      | 7   |     | 1                                      | NETWORK RES 10-SIP 50 OHM X 9      | 56289            |
| A11RP16              | 1810-0382      | 1   |     | NETWORK RES 10-SIP 330 OHM X 9         | 01121                              | 210A101          |
| A11RP17              | 1810-0382      | 1   |     | NETWORK RES 10-SIP 330 OHM X 9         | 01121                              | 210A101          |
| A11RP18              | 1810-0382      | 1   |     | NETWORK RES 10-SIP 330 OHM X 9         | 01121                              | 210A101          |
| A11RP19              | 1810-0382      | 1   |     | NETWORK RES 10-SIP 330 OHM X 9         | 01121                              | 210A101          |
| A11RP20              | 1810-0275      | 1   |     | 3                                      | NETWORK RES 10-SIP 1000 OHM X 9    | 01121            |
| A11RP21              | 1810-0275      | 1   | 2   | NETWORK RES 10-SIP 1000 OHM X 9        | 01121                              | 210A102          |
| A11RP22              | 1810-0275      | 1   |     | NETWORK RES 10-SIP 1000 OHM X 9        | 01121                              | 210A102          |
| A11RP23              | 1810-0382      | 1   |     | NETWORK RES 10-SIP 100 OHM X 9         | 01121                              | 210A101          |
| A11RP24              | 1810-0277      | 3   |     | NETWORK RES 10-SIP 2200 OHM X 9        | 01121                              | 210A222          |
| A11RP25              | 1810-0277      | 3   |     | NETWORK RES 10-SIP 2200 OHM X 9        | 01121                              | 210A222          |

See introduction to this section for ordering information

Table 6-2. Replaceable Parts (Cont'd)

| Reference Designator | HP Part Number | C D | Qty | Description                              | Mfr Code | Mfr Part Number |
|----------------------|----------------|-----|-----|--|----------|-----------------|
| A11RP26              | 1810-0382      | 1   |     | NETWORK RES 10-SIP 330 OHM X 9100        | 01121    | 210A33          |
| A11RP27              | 1810-0382      | 1   |     | NETWORK RES 10-SIP 330 OHM X 9100        | 01121    | 210A33          |
| A11U1A               | 1820-3461      | 4   | 9   | IC LINE RCVR ECL QUAD                    | 04713    | MC10H115P       |
| A11U1B               | 1820-3461      | 4   |     | IC LINE RCVR ECL QUAD                    | 04713    | MC10H115P       |
| A11U1C               | 1820-3461      | 4   |     | IC LINE RCVR ECL QUAD                    | 04713    | MC10H115P       |
| A11U1D               | 1820-3461      | 4   |     | IC LINE RCVR ECL QUAD                    | 04713    | MC10H115P       |
| A11U1E               | 1820-3461      | 4   |     | IC LINE RCVR ECL QUAD                    | 04713    | MC10H115P       |
| A11U1F               | 1820-3461      | 4   |     | IC LINE RCVR ECL QUAD                    | 04713    | MC10H115P       |
| A11U1G               | 1820-3461      | 4   |     | IC LINE RCVR ECL QUAD                    | 04713    | MC10H115P       |
| A11U1H               | 1820-3461      | 4   |     | IC LINE RCVR ECL QUAD                    | 04713    | MC10H115P       |
| A11U1I               | 1820-3461      | 4   |     | IC LINE RCVR ECL QUAD                    | 04713    | MC10H115P       |
| A11U1K               | 1820-0806      | 5   | 1   | IC GATE ECL OR-NOR DUAL 4-5-INP          | 04713    | MC10109P        |
| A11U1L               | 1820-2508      | 8   | 2   | IC GATE ECL EXCL-OR QUAD 2-INP           | 04713    | MC10113P        |
| A11U1M               | 1820-2508      | 8   |     | IC GATE ECL EXCL-OR QUAD 2-INP           | 04713    | MC10113P        |
| A11U2B               | 1820-3102      | 0   | 11  | IC CNTR ECL BIN SYNCHRO POS-EDGE-TRIG    | 85008    | MC10H016        |
| A11U2C               | 1820-3102      | 0   |     | IC CNTR ECL BIN SYNCHRO POS-EDGE-TRIG    | 85008    | MC10H016        |
| A11U2D               | 1820-3102      | 0   |     | IC CNTR ECL BIN SYNCHRO POS-EDGE-TRIG    | 85008    | MC10H016        |
| A11U2E               | 1820-3102      | 0   |     | IC CNTR ECL BIN SYNCHRO POS-EDGE-TRIG    | 85008    | MC10H016        |
| A11U2F               | 1820-3102      | 0   |     | IC CNTR ECL BIN SYNCHRO POS-EDGE-TRIG    | 85008    | MC10H016        |
| A11U2G               | 1820-3102      | 0   |     | IC CNTR ECL BIN SYNCHRO POS-EDGE-TRIG    | 85008    | MC10H016        |
| A11U2H               | 1820-3102      | 0   |     | IC CNTR ECL BIN SYNCHRO POS-EDGE-TRIG    | 85008    | MC10H016        |
| A11U2I               | 1820-3102      | 0   |     | IC CNTR ECL BIN SYNCHRO POS-EDGE-TRIG    | 85008    | MC10H016        |
| A11U2J               | 1820-2193      | 7   | 4   | IC FF ECL D-M/S POS-EDGE-TRG COM CLOCK   | 04713    | MC10176L        |
| A11U2K               | 1820-3102      | 0   |     | IC CNTR ECL BIN SYNCHRO POS-EDGE-TRIG    | 85008    | MC10H016        |
| A11U2L               | 1820-3102      | 0   |     | IC CNTR ECL BIN SYNCHRO POS-EDGE-TRIG    | 85008    | MC10H016        |
| A11U2M               | 1820-3102      | 0   |     | IC CNTR ECL BIN SYNCHRO POS-EDGE-TRIG    | 85008    | MC10H016        |
| A11U3A               | 1816-1591      | 8   | 13  | IC RAM 1K X 4                            | 28480    | 1816-1591       |
| A11U3B               | 1816-1591      | 8   |     | IC RAM 1K X 4                            | 28480    | 1816-1591       |
| A11U3C               | 1816-1591      | 8   |     | IC RAM 1K X 4                            | 28480    | 1816-1591       |
| A11U3D               | 1816-1591      | 8   |     | IC RAM 1K X 4                            | 28480    | 1816-1591       |
| A11U3E               | 1816-1591      | 8   |     | IC RAM 1K X 4                            | 28480    | 1816-1591       |
| A11U3F               | 1816-1591      | 8   |     | IC RAM 1K X 4                            | 28480    | 1816-1591       |
| A11U3G               | 1816-1591      | 8   |     | IC RAM 1K X 4                            | 28480    | 1816-1591       |
| A11U3H               | 1816-1591      | 8   |     | IC RAM 1K X 4                            | 28480    | 1816-1591       |
| A11U3I               | 1816-1591      | 8   |     | IC RAM 1K X 4                            | 28480    | 1816-1591       |
| A11U3J               | 1816-1591      | 8   |     | IC RAM 1K X 4                            | 28480    | 1816-1591       |
| A11U3K               | 1816-1591      | 8   |     | IC RAM 1K X 4                            | 28480    | 1816-1591       |
| A11U3L               | 1816-1591      | 8   |     | IC RAM 1K X 4                            | 28480    | 1816-1591       |
| A11U3M               | 1816-1591      | 8   |     | IC RAM 1K X 4                            | 28480    | 1816-1591       |
| A11U4A               | 1826-0718      | 0   | 1   | IC VOLTAGE REGULATOR                     | 28480    | 1826-0718       |
| A11U4B               | 1816-1555      | 4   | 4   | IC RAM 10422-6                           | 28480    | 1816-1555       |
| A11U4D               | 1816-1555      | 4   |     | IC RAM 10422-6                           | 28480    | 1816-1555       |
| A11U4F               | 1816-1555      | 4   |     | IC RAM 10422-6                           | 28480    | 1816-1555       |
| A11U4H               | 1816-1555      | 4   |     | IC RAM 10422-6                           | 28480    | 1816-1555       |
| A11U4J               | 1NB4-5009      | 0   | 1   | IC COUNTER 20 BIT GRAY CODE              | 28480    | 1NB4-5009       |
| A11U4M               | 1826-0271      | 0   | 1   | IC OP AMP GP 8-DIP-P PKG                 | 01295    | SN72741P        |
| A11U5K               | 1820-2193      | 7   |     | IC FF ECL D-M/S POS-EDGE-TRG COM CLOCK   | 04713    | MC10176L        |
| A11U5L               | 1820-2193      | 7   |     | IC FF ECL D-M/S POS-EDGE-TRG COM CLOCK   | 04713    | MC10176L        |
| A11U5M               | 1820-2193      | 7   |     | IC FF ECL D-M/S POS-EDGE-TRG COM CLOCK   | 04713    | MC10176L        |
| A11U6B               | 1826-0753      | 3   | 1   | IC OP AMP LOW-BIAS-H-IMPD QUAD 14-DIP-C  | 04713    | MS34004BL       |
| A11U6C               | 1826-0856      | 7   | 2   | IC CONV 8-BIT-D/A 20-DIP-PKG             | 34335    | AM6080APC       |
| A11U6D               | 1826-0856      | 7   |     | IC CONV 8-BIT-D/A 20-DIP-PKG             | 34335    | AM6080APC       |
| A11U6E               | 1816-3366      | 9   | 4   | IC PROM ELECTRICALLY ERASEABLE (EEPROM)  | 28480    | 1816-3366       |
| A11U6G               | 1816-3366      | 9   |     | IC PROM ELECTRICALLY ERASEABLE (EEPROM)  | 28480    | 1816-3366       |
| A11U6H               | 1816-3366      | 9   |     | IC PROM ELECTRICALLY ERASEABLE (EEPROM)  | 28480    | 1816-3366       |
| A11U6I               | 1816-3366      | 9   |     | IC PROM ELECTRICALLY ERASEABLE (EEPROM)  | 28480    | 1816-3366       |
| A11U6K               | 0960-0530      | 7   | 1   | IC OSCILLATOR 25MHZ                      | 28480    | 0960-0530       |
| A11U6L               | 1820-1173      | 1   | 3   | IC XLTR ECL TTL-TO-ECL QUAD 2-INP        | 04713    | MC10124L        |
| A11U6M               | 1820-1052      | 5   | 4   | IC XLTR ECL ECL-TO-TTL QUAD 2-INP        | 04713    | MC10125L        |
| A11U7B               | 1826-0138      | 8   | 1   | IC COMPARATOR GP QUAD 14-DIP-P PKG       | 01295    | LM339N          |
| A11U7C               | 1820-1216      | 3   | 1   | IC DC DR TTL LS 3-TO-8-LINE 2-INP        | 01295    | SN75LS138N      |
| A11U7D               | 1820-3299      | 6   | 1   | IC BFR TTL HC LINE DRVR DUAL-QUAD        | 28480    | 1820-3299       |
| A11U7E               | 1820-3399      | 7   | 1   | IC FF TTL HC D-TYPE OCTAL                | 04713    | 74HC273         |
| A11U7F               | 1820-1997      | 7   | 1   | IC FF TTL LS D-TYPE POS-EDGE-TRIG PRL-IN | 01295    | SN74LS374N      |
| A11U7G               | 1820-1917      | 1   | 1   | IC BFR TTL LS LINE DRVR DUAL-QUAD        | 01295    | SN74LS240N      |
| A11U7H               | 1820-2096      | 9   | 2   | IC CNTR TTL LS BIN DUAL 4-BIT            | 01295    | SN74LS393N      |
| A11U7I               | 1820-0802      | 1   | 1   | IC GATE ECL NOR QUAD 2-INP               | 04713    | MC10102P        |
| A11U7J               | 1820-3400      | 1   | 1   | IC GATE ECL NOR DUAL 3-INP 3-OUT         | 04713    | MC10H211        |
| A11U7K               | 1820-0817      | 8   | 4   | IC FF ECL D-M/S DUAL                     | 04713    | MC10131P        |
| A11U7L               | 1820-0817      | 8   |     | IC FF ECL D-M/S DUAL                     | 04713    | MC10131P        |
| A11U7M               | 1820-0817      | 8   |     | IC FF ECL D-M/S DUAL                     | 04713    | MC10131P        |
| A11U7N               | 1820-0817      | 8   |     | IC FF ECL D-M/S DUAL                     | 04713    | MC10131P        |
| A11U8C               | 1820-1052      | 5   |     | IC XLTR ECL ECL-TO-TTL QUAD 2-INP        | 04713    | MC10125L        |
| A11U8D               | 1820-1052      | 5   |     | IC XLTR ECL ECL-TO-TTL QUAD 2-INP        | 04713    | MC10125L        |
| A11U8E               | 1820-1052      | 5   |     | IC XLTR ECL ECL-TO-TTL QUAD 2-INP        | 04713    | MC10125L        |

See introduction to this section for ordering information

Table 6-2. Replaceable Parts (Cont'd)

| Reference Designator | HP Part Number | C<br>D | Qty | Description                       | Mfr Code | Mfr Part Number |
|----------------------|----------------|--------|-----|-----------------------------------|----------|-----------------|
| A11U8F               | 1820-1173      | 1      |     | IC XLTR ECL TTL-TO-ECL QUAD 2-INP | 04713    | MC10124L        |
| A11U8G               | 1820-1173      | 1      |     | IC XLTR ECL TTL-TO-ECL QUAD 2-INP | 04713    | MC10124L        |
| A11U8H               | 1820-2096      | 9      |     | IC CNTR TTL LS BIN DUAL 4-BIT     | 01295    | SN74LS393N      |
| A11U8I               | 1820-0810      | 1      | 1   | IC RCVR ECL LINE RCVR TPL 2-INP   | 04713    | MC10116P        |
| A11U8J               | 1820-2891      | 2      | 1   | IC MC10H101P                      | 28480    | 1820-2891       |
| A11U8K               | 1820-0817      | 8      |     | IC FF ECL D-M/S DUAL              | 04713    | MC10131P        |
| A11U8L               | 1820-0803      | 2      | 1   | IC GATE ECL OR-NOR TPL            | 04713    | MC10105P        |
| A11U8M               | 1820-0827      | 0      | 2   | IC DCDR ECL BIN 3-TO-8 LINE       | 0713     | MC10161P        |
| A11U8N               | 1820-0827      | 0      |     | IC DCDR ECL BIN 3-TO-8 LINE       | 0713     | MC10161P        |
| A11UR5A              | 1810-0613      | 1      | 2   | NETWORK RES 8-DIP                 | 28480    | 1810-0613       |
| A11UR6A              | 1810-0613      | 1      |     | NETWORK RES 8-DIP                 | 28480    | 1810-0613       |

See introduction to this section for ordering information

Table 6-2. Replaceable Parts (Cont'd)

| Reference Designator | HP Part Number | C<br>D | Qty | Description                    | Mfr Code | Mfr Part Number |
|----------------------|----------------|--------|-----|--------------------------------|----------|-----------------|
| A12                  | 10273A         | 8      | 3   | STATE SLAVE PROBE (1630G ONLY) | 28480    | 10273A          |
| A12MP1               | 10271-61601    | 9      | 1   | CABLE ASSY-TERMINATED          | 28480    | 10271-61601     |
| A12MP2               | 5041-3185      | 1      | 1   | POD BOTTOM DARK                | 28480    | 5041-3185       |
| A12MP3               | 5041-3189      | 5      | 1   | POD TOP DARK                   | 28480    | 5041-3189       |
| A12MP4               | 10273-63201    | 1      | 1   | CLIP ASSY-10 CHANNEL           | 28480    | 10273-63201     |
| A12MP5               | 10230-62101    | 7      | 11  | GRABBER ASSEMBLY               | 28480    | 10230-62101     |
| A12U1                | 1NB7-8027      | 4      | 1   | HYBRID-10 CHANNEL              | 28480    | 1NB7-8027       |
|                      | 10271-90901    | 3      | 1   | OPERATING NOTE                 | 28480    | 10271-90901     |

See introduction to this section for ordering information

Table 6-3. List of Manufacturers' Codes

| MFR NO. | MANUFACTURER NAME                   | ADDRESS          | ZIP CODE |
|---------|-------------------------------------|------------------|----------|
| 00633   | RIFA                                | BROMMA SE        |          |
| 00167   | FUJITSU LTD                         | TOKYO JP         |          |
| 00000   | ANY SATISFACTORY SUPPLIER           |                  |          |
| 01121   | ALLEN-BRADLEY CO                    | MILWAUKEE WI     | 53204    |
| 01281   | TRW INC SEMICONDUCTOR DIV           | LAWDALE CA       | 90260    |
| 01295   | TEXAS INSTR INC SEMICOND CMPNT DIV  | DALLAS TX        | 75222    |
| 02111   | SPECTROL ELECTRONICS CORP           | CITY OF IND CA   | 91745    |
| 04713   | MOTOROLA SEMICONDUCTOR PRODUCTS     | PHOENIX AZ       | 85008    |
| 06665   | PRECISION MONOLITHICS INC           | SANTA CLARA CA   | 95050    |
| 07263   | FAIRCHILD SEMICONDUCTOR DIV         | MOUNTAIN VIEW CA | 94042    |
| 18546   | VARO SEMICONDUCTOR INC              | GARLAND TX       | 75040    |
| 15454   | AMETEK/RODAN DIV                    | ANAHEIM CA       | 92806    |
| 19701   | MEPCO/ELECTRA CORP                  | MINERAL WELLS TX | 76067    |
| 24546   | CORNING GLASS WORKS (BRADFORD)      | BRADFORD PA      | 16701    |
| 25403   | N.V. PHILIPS-ELCOMA DEPARTMENT      | EINDHOVEN HL     | 02876    |
| 27167   | CORNING GLASS WORKS (WILMINGTON)    | WILMINGTON NC    | 28401    |
| 28480   | HEWLETT-PACKARD CO CORPORATE HQ     | PALO ALTO CA     | 94304    |
| 31585   | RCA CORP SOLID STATE DIV            | SOMERVILLE NJ    |          |
| 34335   | ADVANCED MICRO DEVICES INC          | SUNNYVALE CA     | 94086    |
| 34649   | INTEL CORP                          | MOUNTAIN VIEW CA | 95051    |
| 52763   | STETTNER ELECTRONICS INC            | CHATTANOOGA TN   | 13035    |
| 56289   | SPRAGUE ELECTRIC CO                 | NORTH ADAMS MA   | 01247    |
| 72136   | ELECTRO MOTIVE CORP                 | FLORENCE SC      | 06226    |
| 73138   | BECKMAN INSTRUMENTS INC HELIPOT DIV | FULLERTON CA     | 92634    |
| 75915   | LITTELFUSE INC                      | DES PLAINES IL   | 60016    |



# SECTION VII INSTRUMENT CHANGES

## 7-1. INTRODUCTION

This section contains information describing how this manual documents changes in the instrument. Because of the service philosophy for this instrument, this service manual is not shipped with every instrument. This service manual is therefore required to cover all versions (serial prefixes) of the 1630A/D/G family simultaneously. As a result, the organization of change information is different in this manual than it is in most Hewlett-Packard service manuals.

## 7-2. MANUAL CHANGES

This manual applies directly to the instrument having the same serial prefix shown on the manual title page. If the serial prefix of the instrument is not the same as the one on the title page, adjustments to the information provided will have to be made. An attempt has been made to put change information in close proximity to the information it replaces. For example, changes to an assembly part list are located in Section VI next to the section of the part list affected (see Section VI). Differences in schematics due to changes are located on the schematic changed or in close proximity to it. The purpose chosen for this section, Section VII, is to provide a synopsis of the prefix changes made in the instrument and also document some changes not covered directly by different prefixes.

## 7-3. INSTRUMENT CHANGES

Table 7-1 shows the relationship between serial prefixes and the complement of boards in an instrument as shipped from the factory. Since many boards are directly upgradable to the most recent version, a given instrument may have different boards than it was originally shipped with.

*Table 7-1. Board Complements vs. Serial Prefixes.*

| SERIAL PREFIXES           | BOARD COMPLEMENTS <sup>1</sup>    |                  |                   |                  |                |  |
|---------------------------|-----------------------------------|------------------|-------------------|------------------|----------------|--|
|                           | 1630A/D<br>A - 2247A<br>B - 2234A | 1630A/D<br>2311A | 1630A/D<br>NOTE 2 | 1630A/D<br>2412A | 1630G<br>2415A |  |
| A1 - Power Supply         | 66502                             | 66502            | 66502             | 66514            | 66514          |  |
| A2 - Motherboard          | 66501                             | 66501            | 66501             | 66501            | 66501          |  |
| A3 - CPU                  | 66503                             | 66503            | 66512             | 66522            | 66519          |  |
| A4 - State Master         | 66505                             | 66509            | 66509             | 66518            | 66518          |  |
| A5 - Timing Master        | 66506                             | 66510            | 66510             | 66510            | 66524          |  |
| A6 - Display <sup>3</sup> | 0950-0894                         |                  |                   |                  |                |  |
| A7 - Keyboard             | 66504                             | 66504            | 66504             | 66504            | 66504          |  |
| A8 - Timing Slave         | 66508                             | 66508            | 66508             | 66508            | -----          |  |
| A11- State Slave          | -----                             | -----            | -----             | -----            | 66517          |  |

- NOTES:
1. All board numbers should be prefixed with "01630-".
  2. Serial numbers: 1630A, 2311A00231 and up; 1630D, 2311A00791 and up.
  3. The display board is supported as a complete replacement part only.

Instruments are also up and down-gradable to other versions within the family. For example, A 1630A can be converted to a 1630D or 1630G and the 1630G can be converted to a 1630D. This can cause different relationships between model numbers, serial prefixes, and board complements, than is shown in this manual.

## 7-4. INSTRUMENT FAMILY HISTORY

The following is a history of the major changes in the 1630 models. The first serial prefixes were 2242A for the 1630A and 2234A for the 1630D. The first prefix for the 1630G was 2415A.

1. Parts were changed, on the Master State and Master and Slave Timing boards, to a preferred part. Most (not all) 1820-1788 were changed to 1820-3102. Parts involved were:
  - a) On State Master A4; U3J-L; U6B-E; U7E-H.
  - b) On Timing Master A5; U1K,L; U2K,L; U7C; U9K,L.
  - c) On Timing Slave A8; U2H,I.
  
2. An RFI problem necessitated isolating part of the HP-IL circuitry on the CPU board A3. Several parts were removed from the main board, 01630-66503, and mounted on a small board piggy-backed to the main board. There was no serial prefix change.
  - a) Effective instruments were:
    - 1) 1630A - serial number 2242A00121 and up.
    - 2) 1630D - serial number 2234A00241 and up.
  - b) Parts affected were:
    - 1) Removed from 01630-66503 were C1,2; CR1,2; T1.
    - 2) Piggy-back board was 01630-66511 loaded with the parts listed above.
  
3. Serial prefix change from 2234A (1630A) and 2242A (1630D) to 2311A (1630A/D)
  - a) State Master board changed from 01630-66505 to 01630-66509. The 66509 directly replaces the 66505.
    - 1) U4L changed from 1820-2451 to 1820-2959.
    - 2) U4L circuitry layed out to accomodate the new part (schematic 8C-7).
    - 3) Traces removed between U3N-14 and U4M-4 (schematics 8C-2 and 8C-7).
    - 4) Traces removed between U3N-15 and U4L-10/U6K-5 (schematics 8C-2 and 8C-7).
    - 5) Traces to U6G-12, 13, 14, and 15 removed (schematic 8C-4).
    - 6) U8K changed from 1820-2495 to 1820-2963 (preferred part).
  - b) Timing Master board changed from 01630-66506 to 01630-66510. The 66510 directly replaces the 66506.

The gate of U7D comprised of pins 9, 12, 13 and 15 was swapped with the gate of U7D comprised of pins 2, 4, 5. See Schematic 8D-3.

4. An electrostatic discharge (ESD) problem with the HP-IL chip on the CPU board, A3 01630-66512, necessitated the addition of protective parts. A small PC board was made to hold the HP-IL chip, U2O, and the added parts and that was plugged into the HP-IL chip socket. There was no instrument serial prefix change.
  - a) Effective instruments were:
    - 1) 1630A - serial number 2311A00232 and up.
    - 2) 1630D - serial number 2311A00792 and up.
  - a) The parts added were:
    - 1) PC board, A3A1 01630-66513(includes all parts)
    - 2) Resistor, A3A1R1 0683-4705
    - 3) Capacitor, A3A1C1 0160-5246
    - 4) Diodes, A3A1CR1-4 1901-0050
    - 5) Socket 1200-0567
    - 6) 14 pin post set (2) 1251-5064
  - b) Schematic documentation for this change is on schematic 8B-7.
5. This change incorporated the final fix for the RFI problem on A3 CPU which was corrected without prefix change (#2 above). It also incorporated a change to the reset timing circuitry on the CPU. There was no instrument serial prefix change.
  - a) A3 CPU changed from 01630-66503 to 01630-66512.
  - b) The small piggy-back board was deleted and the parts on it were moved back to the main board.
  - c) The new A3 incorporated a re-layout which moved the connection of U3 pin 11 from U7 pin 1 to U7 pin 7. Schematic changes are noted on schematic 8B-2.
  - d) U2O pin 2 was pulled up to +5V using RP2 pin 9, schematic 8B-7.
6. A turn-on surge problem when running the instrument with 240VAC input was corrected on A1, Power Supply. Transient suppressor RV2 was changed to a higher voltage value. This is a preferred part change and the new part should be used for all replacements.
7. Serial prefix change from 2311A (1630A/D) to 2412A (1630A/D).
  - a) Several mainframe parts were changed to allow more direct retrofit of the 1630A and 1630D to the new 1630G. Changes are noted in the parts list.
  - b) To eliminate turn-on surge problems the fan was changed from a 120V type to a 120/240V model. This also necessitated the change of the power supply board from 01630-66502 to 01630-66514. Schematic changes are on Schematic 8A-1.

## Model 1630A/D/G-Instrument Changes

- c) The CPU board was changed from 01630-66512 to 01630-66522. This allows this board to be used in a 1630G. Schematic changes are noted on Schematic 8B-1.
- d) The Master State board was changed from 01630-66509 to 01630-66518. Schematic changes are noted on Schematic 8C-7. Parts changes are noted in the Parts List.

NOTE: The primary parts changed were U3A-C,E-G,I from 1816-1492 to 1816-1591 and U2B-C,E-I from 1820-1788 to 1820-3102. When replacing any of these parts it should be noted that the new RAM, 1816-1591, will work with the old counter, 1820-1788, but the new counter, 1820-3102, will not work with the old RAM, 1816-1492. Any replacement of counters on older boards must use the older part number.

- 8. Ineffectiveness and reliability problems necessitated the removal of several parts on the power supply board. Neon bulbs A1E1 and A1E2 have been removed from the circuit. In addition, RT1 and RT2, in series with E1 and E2 respectively, have been removed. See the appropriate service note in Appendix E.

- a) Effective instruments were:
  - 1) 1630A - serial number 2412A00809 and up.
  - 2) 1630D - serial number 2412A03411 and up.
  - 3) 1630G - serial number 2415A00172 and up

## **SECTION VIII**

### **SERVICE**

#### **8-1. INTRODUCTION**

The service section provides theory, block diagrams, and schematics for troubleshooting the 1630A/D/G.

This section consists of six sections or service groups:

- 8A - Power Supply and Motherboard
- 8B - CPU, Keyboard, and Display
- 8C - State Master Acquisition
- 8D - Timing Master Acquisition
- 8E - Timing Slave Acquisition
- 8F - State Slave Acquisition

Each service group contains its own table of contents, theory, block diagrams, and schematics pertaining to that subsystem.

#### **8-2. SAFETY CONSIDERATIONS**

Read the Safety Summary at the front of this manual before servicing this instrument. Before performing each procedure, review it for cautions and warnings. For example, when working around the power supply and display circuitry, caution should be taken to avoid potentially lethal voltages.

**CAUTION**

An external cooling fan is required to cool PC boards inserted into the service connector. An adequate fan should be available to any service organization.

### **8-3. BLOCK DIAGRAM THEORY** (see figure 8-1)

**POWER SUPPLY BOARD.** The power supply board supplies +15, +12, -12, +5, -2.4, and -5.2 V to the different boards in the analyzer. The power supply uses the "switching technique" for converting AC to the six DC voltages.

**CPU BOARD.** The CPU board is the interface between the operator and the system. The CPU board provides measurement programming of the state and timing boards, keyboard control, display generation, HP-IB and HP-IL interfacing, and waveform formatting.

**STATE MASTER BOARD.** The State Master board receives 27 bits of data and three clocks from Pods 2, 3, and 4. State may also receive either 8 or 16 more bits of data if one or both of the two timing boards are in the State mode.

**TIMING MASTER BOARD.** The timing master board receives 8 bits of data from a timing pod for timing and glitch analysis. Timing master may be run in the State mode.

**TIMING SLAVE BOARD.** The Timing Slave board is only supplied in a 1630D. The timing slave receives 8 bits of data from its own pod, allowing Timing Analysis to be as much as 16 bits wide. Slave timing may also be run in the State mode. For 35-bit wide state analysis, only the Timing Slave board can be run in the State mode. In the 35-bit mode the Timing Master must be used for timing, since it contains the timing qualification circuitry.

**STATE SLAVE BOARD.** The State Slave board is provided only in the 1630G. The State Slave board takes the place of the Timing Slave in the block diagram. Full coverage of this board is covered in Section 8F. It receives thirty channels of data from the target system and stores it under control of the State Master. Relative and absolute counting of stored states and time is provided by this board. The State Master board also provides non-volatile storage of one instrument set-up and microprocessor disassembler.

**EXTERNAL INTERFACE.** The CPU board may communicate with compatible external devices via HP-IB and HP-IL. HP-IB is a parallel bi-directional form of communication, whereas, HP-IL is a bit-serial unidirectional loop. Devices connected to HP-IB and HP-IL may be either talkers, listeners, or controllers. The 8 switch dip SW1 configures the 1630A/D/G on one of these buses.

The rear panel Port BNC can supply six acquisition signals on a multiplexed basis. An additional BNC supplies a +5 volt output for accessories such as a pre-processor option.

**DISPLAY BOARD AND CRT.** The display driver is an OEM assembly, not serviced by HP. The display assembly receives video and timing information from the CPU board.

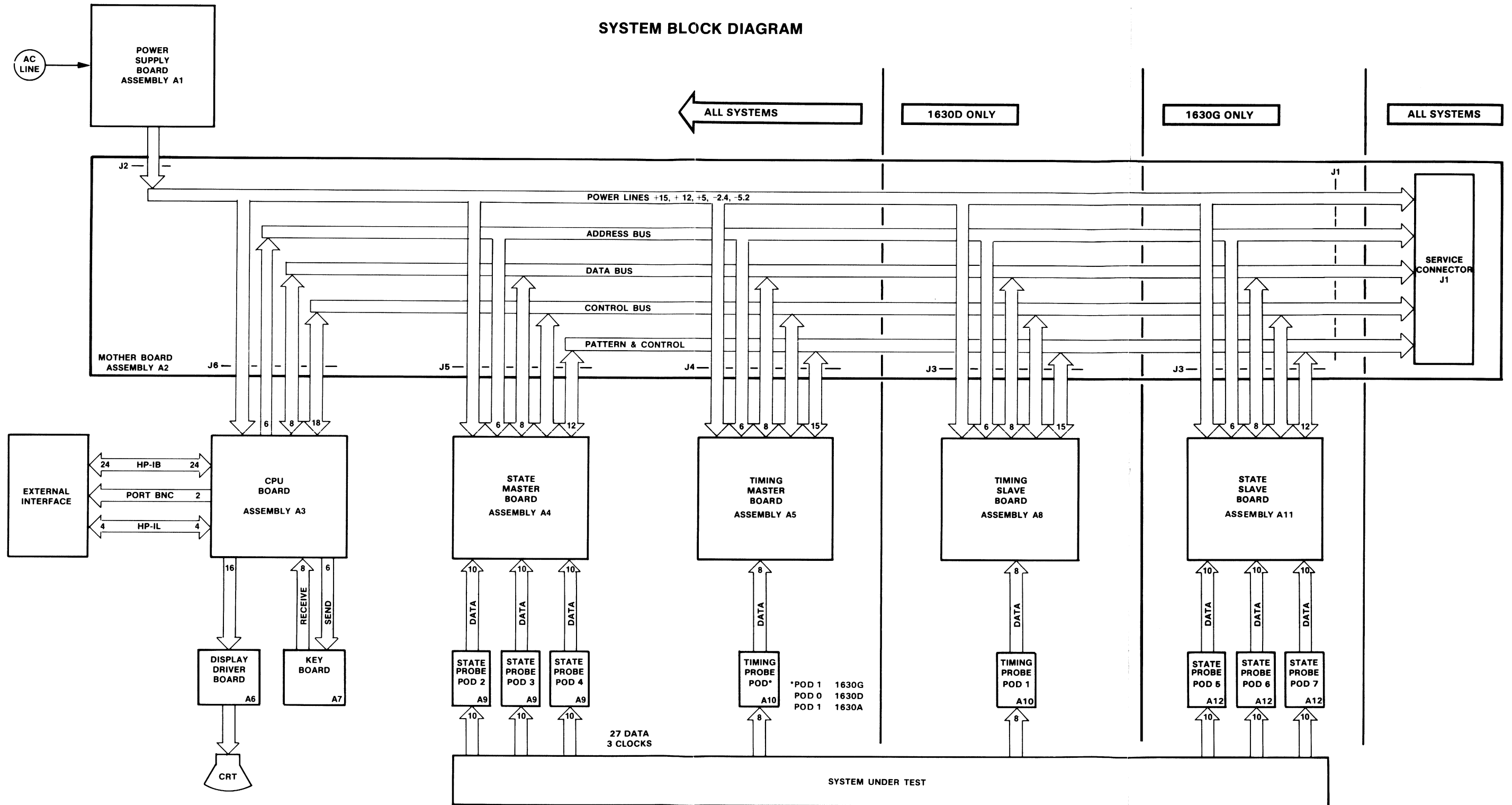


Figure 8-1. System Block Diagram

## 8-4. LOGIC CONVENTION

Logic states are defined as follows:

0-----False, negated, inactive, or unasserted state.

1-----True, active, or asserted state.

Voltage levels representing logic states:

LOW (L)-----The more negative of two voltage levels.

HIGH (H)-----The more positive of two voltage levels.

Signals may be either HIGH true, or LOW true, as indicated by the mnemonics on the schematics.

The 1630A/D/G includes both TTL and ECL ICs. Worst case voltage levels for troubleshooting and signature analysis purpose are as follows (IC data sheet specifications may be more accurate):

| TTL Voltage Levels |                    | ECL Voltage Levels |                      |
|--------------------|--------------------|--------------------|----------------------|
| Level              | Voltage            | Level              | Voltage              |
| LOW                | less than 0.8 V    | LOW                | less than -1.50 V    |
| HIGH               | greater than 2.0 V | HIGH               | greater than -1.10 V |

## 8-5. ECL ATTRIBUTES

Because ECL inputs are pulled down inside the IC, an unconnected ECL input is LOW.

ECL outputs may be tied together in the same way as open-collector TTL outputs. Thus, they may be wire-ANDed or wire-ORed.



Table 8-1. Logic Symbols, (sheet 1 of 3)

**GENERAL**

All signals flow from left to right, relative to the symbol's orientation with inputs on the left side of the symbol, and outputs on the right side of the symbol (the symbol may be reversed if the dependency notation is a single term.)

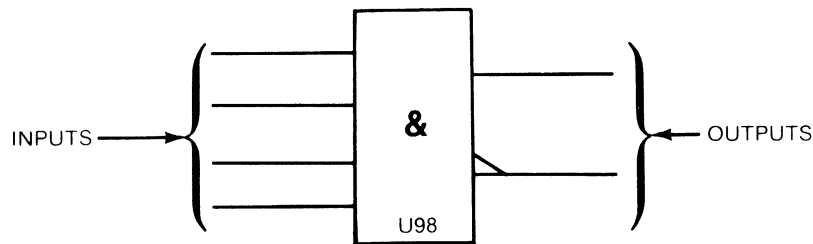
All dependency notation is read from left to right (relative to the symbol's orientation).

An external state is the state of an input or output outside the logic symbol.

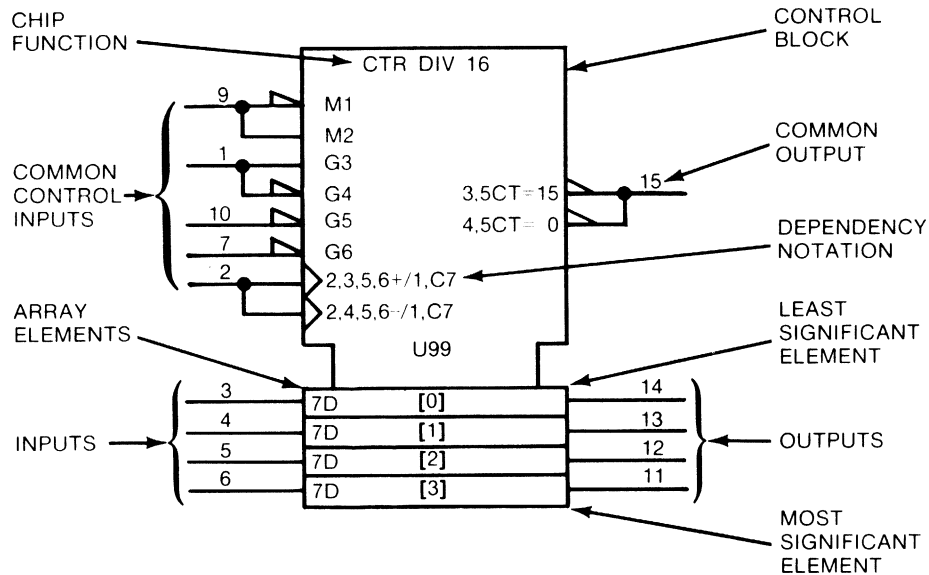
An internal state is the state of an input or output inside the logic symbol. All internal states are True = High.

**SYMBOL CONSTRUCTION**

Some symbols consist of an outline or combination of outlines together with one or more qualifying symbols, and the representation of input and output lines.



Some have a common Control Block with an array of elements:



**CONTROL BLOCK** - All inputs and dependency notation affect the array elements directly. Common outputs are located in the control block. (Control blocks may be above or below the array elements.)

**ARRAY ELEMENTS** -All array elements are controlled by the control block as a function of the dependency notation. Any array element is independent of all other array elements. Unless indicated, the least significant element is always closest to the control block. The array elements are arranged by binary weight. The weights are indicated by powers of 2 (shown in [ ]).

Table 8-1. Logic Symbols, (sheet 2 of 3)

**INPUTS** - Inputs are located on the left side of the symbol and are affected by their dependency notation.

Common control inputs are located in the control block and control the inputs/outputs to the array elements according to the dependency notation.

Inputs to the array elements are located with the corresponding array element with the least significant element closest to the control block.

**OUTPUTS** - Outputs are located on the right side of the symbol and are effected by their dependency notation.

Common control outputs are located in the control block.

Outputs of array elements are located in the corresponding array element with the least significant bit closest to the control block.

**CHIP FUNCTION** - The labels for chip functions are defined, i.e., CTR - counter, MUX - multiplexer.

**DEPENDENCY NOTATION**

Dependency notation is always read from left to right relative to the symbol's orientation.

Dependency notation indicates the relationship between inputs, outputs, or inputs and outputs. Signals having a common relationship will have a common number, i.e., C7 and 7D...C7 controls D. Dependency notation 2,3,5,6+1,C7 is read as when 2 and 3 and 5 and 6 are true, the input will cause the counter to increment by one count....or (/) the input (C7) will control the loading of the input value (7D) into the D flip-flops.

The following types of dependencies are defined:


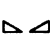
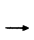

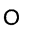


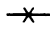



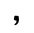
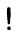











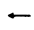
- a. AND (G), OR (V), and Negate (N) denote Boolean relationship between inputs and outputs in any combination.
- b. Interconnection (Z) indicates connections inside the symbol.
- c. Control (C) identifies a timing input or a clock input of a sequential element and indicates which inputs are controlled by it.
- d. Set (S) and Reset (R) specify the internal logic states (outputs) of an RS bistable element when the R or S input stands at its internal 1 state.
- e. Enable (EN) identifies an enable input and indicates which inputs and outputs are controlled by it (which outputs can be in their high impedance state).
- f. Mode (M) identifies an input that selects the mode of operation of an element and indicates the inputs and outputs depending on that mode.
- g. Address (A) identifies the address inputs.
- h. Transmission (X) identifies bi-directional inputs and outputs that are connected together when the transmission input is true.

**DEPENDENCY NOTATION SYMBOLS**

|    |   |   |                            |
|----|---|---|----------------------------|
| A  | Address (selects inputs/outputs) (indicates binary range) | N | Negate (complements state) |
| C  | Control (permits action)                                  | R | Reset Input                |
| EN | Enable (permits action)                                   | S | Set Input                  |
| G  | AND (permits action)                                      | V | OR (permits action)        |
| M  | Mode (selects action)                                     | Z | Interconnection            |
|    |   | X | Transmission               |

Table 8-1. Logic Symbols, (sheet 3 of 3)

**OTHER SYMBOLS**

|   |   |  |
|---|---|--|
|  Analog Signal       |  Inversion                             |  Shift Right (or down)   |
|  AND                 |  Negation                              |  Solidus (allows an input or output to have more than one function)  |
|  Bit Grouping        |  Nonlogic Input/Output                 |  Tri-State   |
|  Buffer              |  Open Circuit (external resistor)      |  Causes notation and symbols to effect inputs/outputs in an AND relationship, and to occur in the order read from left to right. |
|  Compare             |  Open Circuit (external resistor)      |  Used for factoring terms using algebraic techniques.  |
|  Dynamic             | $\geq 1$ OR   |  Information not defined.  |
| $\neq 1$ Exclusive OR   |  Passive Pull Down (internal resistor) |  Logic symbol not defined due to complexity.   |
|  Hysteresis          |  Passive Pull Up (internal resistor)   |  |
|  Interrogation       |  Postponed                             |  |
|  Internal Connection |  Shift Left (or up)                    |  |

**LABELS**

|                     |                               |              |
|---------------------|-------------------------------|--------------|
| BG Borrow Generate  | CO Carry Output               | J J Input    |
| BI Borrow Input     | CP Carry Propagate            | K K Input    |
| BO Borrow Output    | CT Content                    | P Operand    |
| BP Borrow Propagate | D Data Input                  | T Transition |
| CG Carry Generate   | E Extension (input or output) | + Count Up   |
| CI Carry Input      | F Function                    | - Count Down |

**MATH FUNCTIONS**

|   |                                |
|---|--------------------------------|
|  Adder | > Greater Than                 |
| ALU Arithmetic Logic Unit   | < Less Than                    |
| COMP Comparator   | CPG Look Ahead Carry Generator |
| DIV Divide By   | $\pi$ Multiplier               |
| = Equal To  | P-Q Subtractor                 |

**CHIP FUNCTIONS**

|                          |                    |                          |
|--------------------------|--------------------|--------------------------|
| BCD Binary Coded Decimal | DIR Directional    | RAM Random Access Memory |
| BIN Binary               | DMUX Demultiplexer | RCVR Line Receiver       |
| BUF Buffer               | FF Flip-Flop       | ROM Read Only Memory     |
| CTR Counter              | MUX Multiplexer    | SEG Segment              |
| DEC Decimal              | OCT Octal          | SRG Shift Register       |

**DELAY and MULTIVIBRATORS**


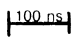
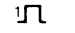
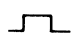













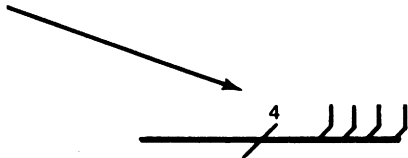
|   |
|---|
|  Astable                     |
|  Delay                       |
|  Nonretriggerable Monostable |
| NV Nonvolatile  |
|  Retriggerable Monostable    |

Table 8-2. Schematic Diagram Notes

|   |  |           |  |
|---|--|-----------|--|
|    | ETCHED CIRCUIT BOARD   | (925)     | WIRE COLORS ARE GIVEN BY NUMBERS IN PARENTHESES USING THE RESISTOR COLOR CODE  |
|    | FRONT PANEL MARKING  |           | [ (925) IS WHT-RED-GRN ]   |
|    | REAR-PANEL MARKING   |           | 0 - BLACK      5 - GREEN<br>1 - BROWN     6 - BLUE<br>2 - RED        7 - VIOLET<br>3 - ORANGE    8 - GRAY<br>4 - YELLOW    9 - WHITE |
|    | MANUAL CONTROL   |           | * OPTIMUM VALUE SELECTED AT FACTORY, TYPICAL VALUE SHOWN; PART MAY HAVE BEEN OMITTED.  |
|    | SCREWDRIVER ADJUSTMENT   |           |  |
|    | ELECTRICAL TEST POINT<br>TP (WITH NUMBER)  |           | UNLESS OTHERWISE INDICATED:<br>RESISTANCE IN OHMS<br>CAPACITANCE IN PICO FARADS<br>INDUCTANCE IN MICROHENRIES                        |
|    | NUMBERED WAVEFORM<br>NUMBER CORRESPONDS TO<br>ELECTRICAL TEST POINT NO.  | $\mu P$ = | MICROPROCESSOR   |
|  | LETTERED TEST POINT<br>NO MEASUREMENT AID<br>PROVIDED  | P/O =     | PART OF  |
|  | COMMON CONNECTIONS. ALL LIKE-DESIGNATED POINTS ARE CONNECTED.  | NC =      | NO CONNECTION  |
|  | NUMBER ON WHITE BACKGROUND = OFF-PAGE CONNECTION.<br>LARGE NUMBER ADJACENT = SERVICE SHEET NUMBER FOR OFF-PAGE CONNECTION.                 | CW =      | CLOCKWISE END OF VARIABLE RESISTOR   |
|  | CIRCLED LETTER = OFF-PAGE CONNECTION BETWEEN PAGES OF SAME SERVICE SHEET.  |           |  |
|  | SOURCE (DESTINATION) OF A SIGNAL FROM (TO) ANOTHER ASSEMBLY. LETTER GIVES SERVICE GROUP AND NUMBER REFERENCES SCHEMATIC WITHIN THAT GROUP. |           |  |
|  | INDICATES SINGLE SIGNAL LINE   |           |  |
|   | NUMBER OF LINES ON A BUS   |           |  |
|   |   |           |  |

## 8-6. REMOVAL AND INSTALLATION OF MAINFRAME COMPONENTS

This section contains removal instructions for the system PC boards and the CRT. Read the Safety Summary at the front of this manual before servicing this instrument. All removal procedures are based on the 1630D system. The removal procedures also apply to the 1630A and 1630G systems except the 1630A contains one less board.

**WARNING**

Hazardous potentials exist on the power supply, the CRT, and on the display driver board. To avoid electrical shock the following procedures should be closely adhered to. Wait at least three minutes for the capacitors on the power supply and display driver boards to discharge before servicing this instrument. Wear safety glasses!!!

**CAUTION**

Never install or remove any circuit board with the power switched ON. Component damage may occur!!!

**NOTE**

When a board is installed verify that it is fully seated into the connector.

## 8-7. Acquisition Board Removal (State and Timing)

- a. Switch power OFF and disconnect the AC power cord.
- b. Completely remove the two screws that secure the rear door. See figure 8-2.
- c. Carefully remove the probe cable plugs by their plastic housing. See figure 8-3.
- d. Remove the four screws that secure the rear cover and remove cover. See figure 8-3.
- e. Carefully remove the desired acquisition board by inserting the "board puller" into the removal holes located at the top-center of the board. See figure 8-4.

An acquisition board can be installed by reversing the removal procedure.

## 8-8. CPU Board Removal

- a. Follow steps (a) through (d) of the Acquisition board removal procedure.
- b. Completely remove the two screws securing the CPU board to the rear panel. See figure 8-5.
- c. Remove the two plastic standoffs and loosen the screw that secures the bottom cover. See figure 8-5.
- d. Carefully tilt the instrument on its side and remove the bottom cover.
- e. Disconnect the cables from the CPU board that go to the keyboard and the display driver board. See figure 8-6.
- f. Carefully remove the CPU board by inserting the "board puller" into the appropriate removal holes located at the rear of the board. See figure 8-4.

The CPU board can be installed by reversing the CPU board removal procedure.

## 8-9. Power Supply Board Removal

### WARNING

Hazardous voltages are present in the power supply, the CRT, and on the display driver board, even with the main line power switch set in the OFF position and power cord removed. Use extreme caution while servicing the unit with the top cover removed. Wait three minutes for the capacitors on the power supply and display driver boards to discharge to a safe voltage.

### CAUTION

Be certain that the perforated side cover is installed on the right-hand side of the instrument (as you face the front of the unit). If the side covers are mis-installed, insufficient air flow will result and component damage may occur.

- a. Follow steps (a) through (d) of the Acquisition board removal procedure.
- b. Completely remove the two screws securing the CPU board to the rear panel. See figure 8-5.

- c. Remove the four plastic standoffs and loosen the two screws that secure the top and bottom covers and remove the covers. See figure 8-7.
- d. Loosen the screw that secures the perforated side panel and remove. See figure 8-7.
- e. Remove the two screws that attach the handle and the side cover to the frame. Remove cover.
- f. Carefully tilt instrument on its side and remove the four screws holding the rear panel to the bottom of the frame. See figure 8-8.
- g. Disconnect the cables from the CPU board to the keyboard and display driver boards. See figure 8-6.
- h. Lay the instrument back on its base. Carefully remove all of the boards from the frame by inserting the "board puller" into the appropriate removal holes located at the rear of each board. See figure 8-4.
- i. CAREFULLY remove the power switch shaft with a 1/4 inch wrench. See figure 8-9.
- j. Remove the two screws by the line plug and the two screws securing the rear panel to the card cage. See figure 8-10.
- k. Remove the four screws that attach the plastic power supply cover and ground strap to the top of the frame. See figure 8-9.
- l. Unplug the fan from the power supply and gently push out on each corner from the inside of the rear panel. The rear panel and the fan assembly should remove as one unit.
- m. Remove the three screws securing the power supply board to the card cage bracket. See figure 8-11.
- n. Pull the power supply board straight back from the motherboard connector and remove from the frame.

The power supply board can be installed by reversing the removal procedure. See figure 8-4 for the card cage slot for each board.

## **8-10. Motherboard Removal**

- a. Follow steps (a) through (n) of the power supply board removal procedure.
- b. Remove the six screws that secure the motherboard to the keyboard cover. See figure 8-12.

The motherboard can be installed by reversing the removal procedure.

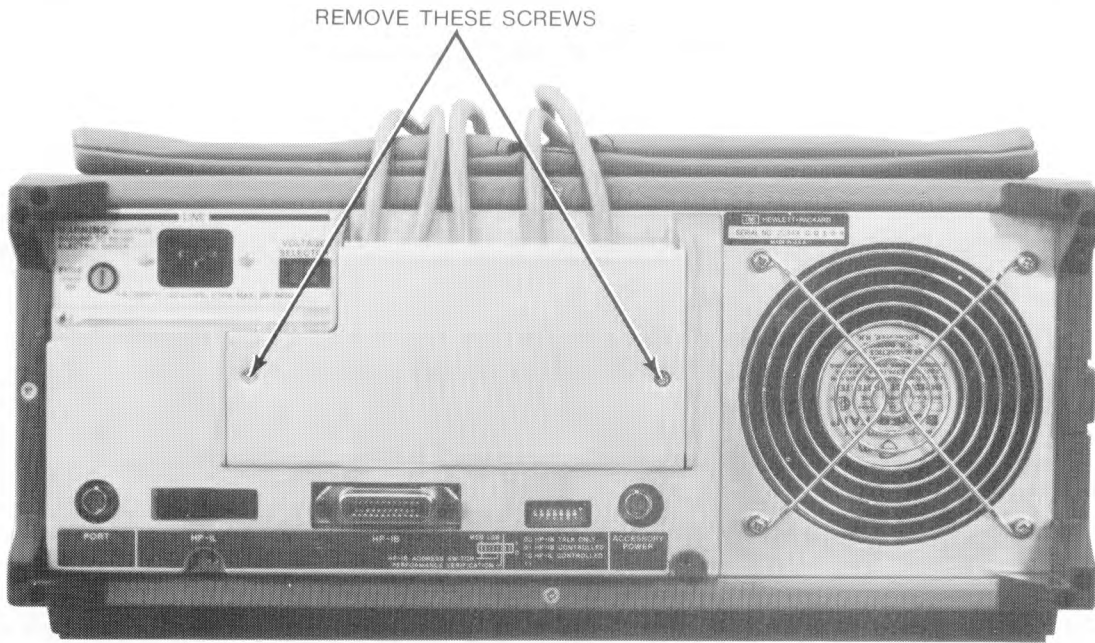


Figure 8-2.

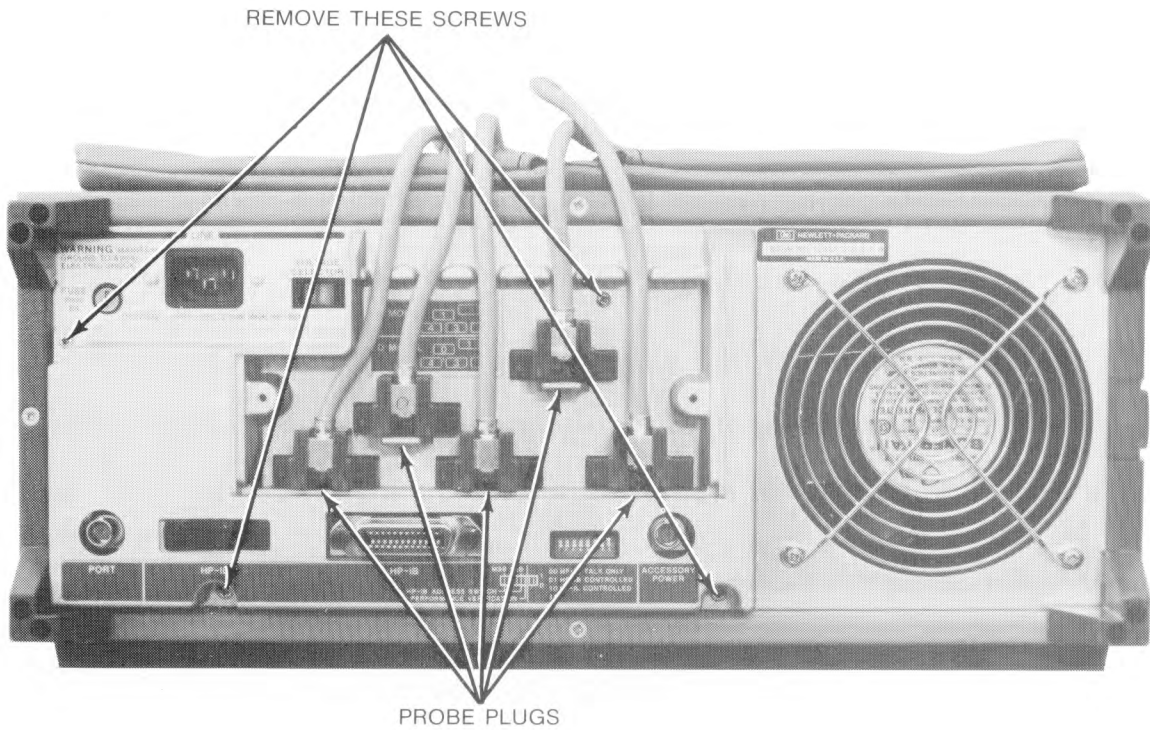
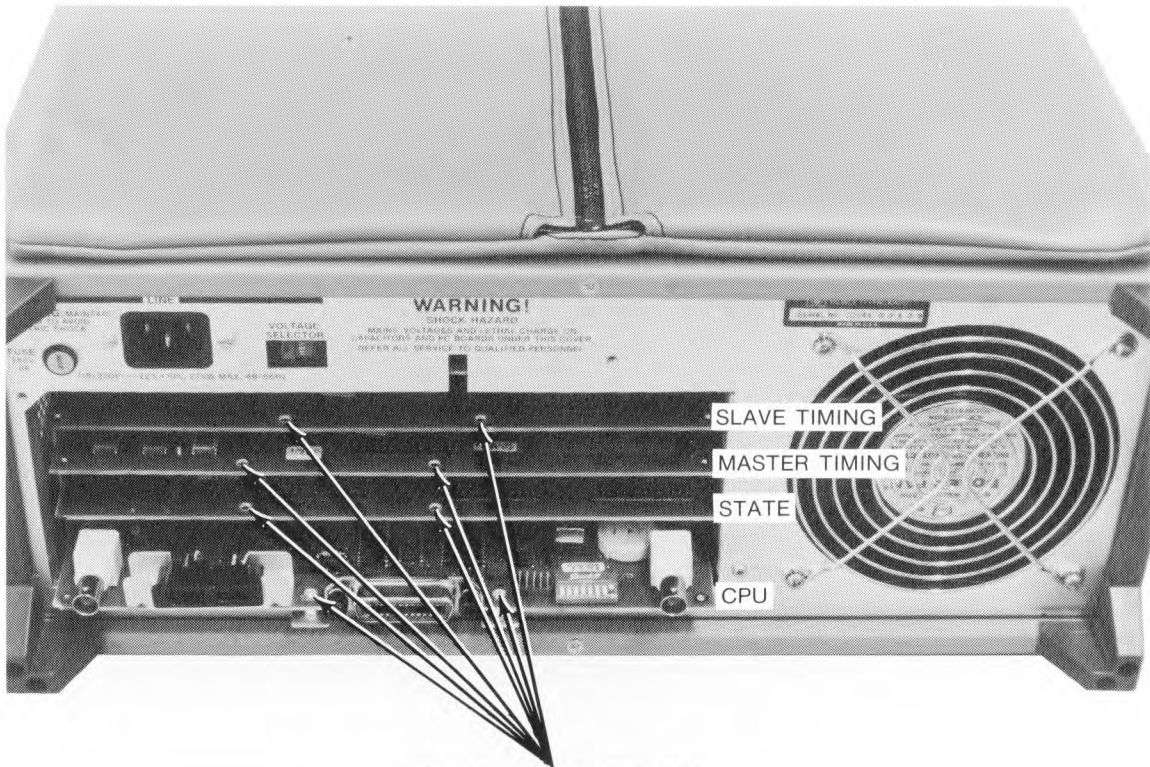


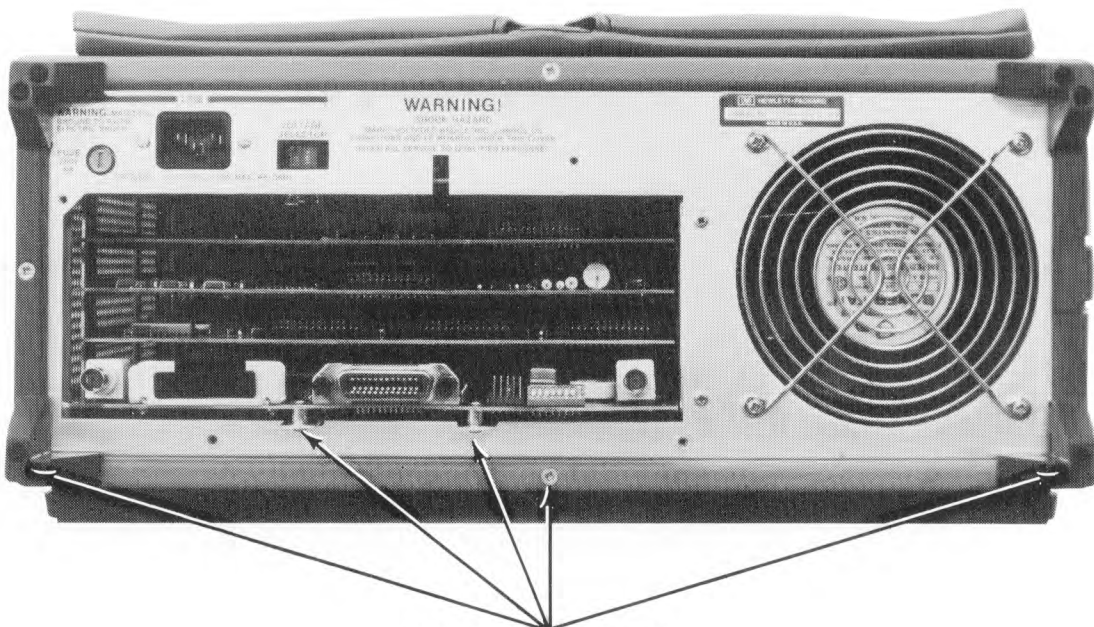
Figure 8-3.





PUT THE "BOARD PULLER"  
IN THESE HOLES TO REMOVE A BOARD

Figure 8-4.



REMOVE THESE SCREWS

Figure 8-5.

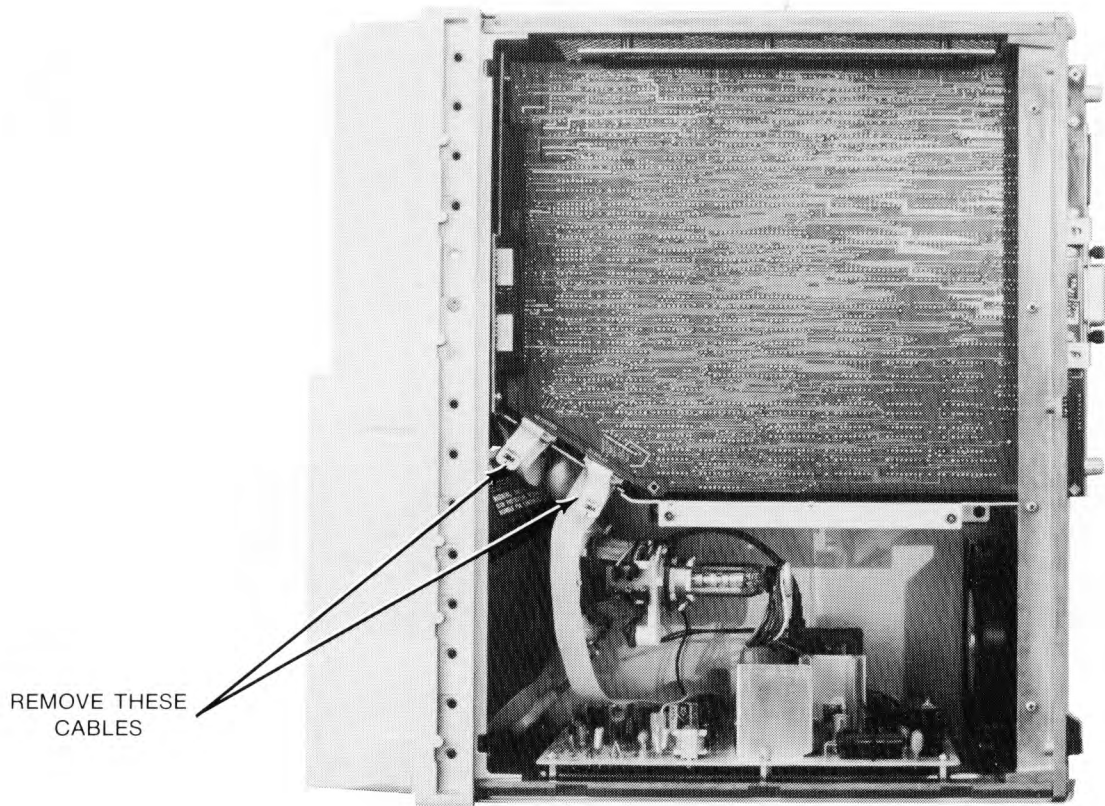


Figure 8-6.

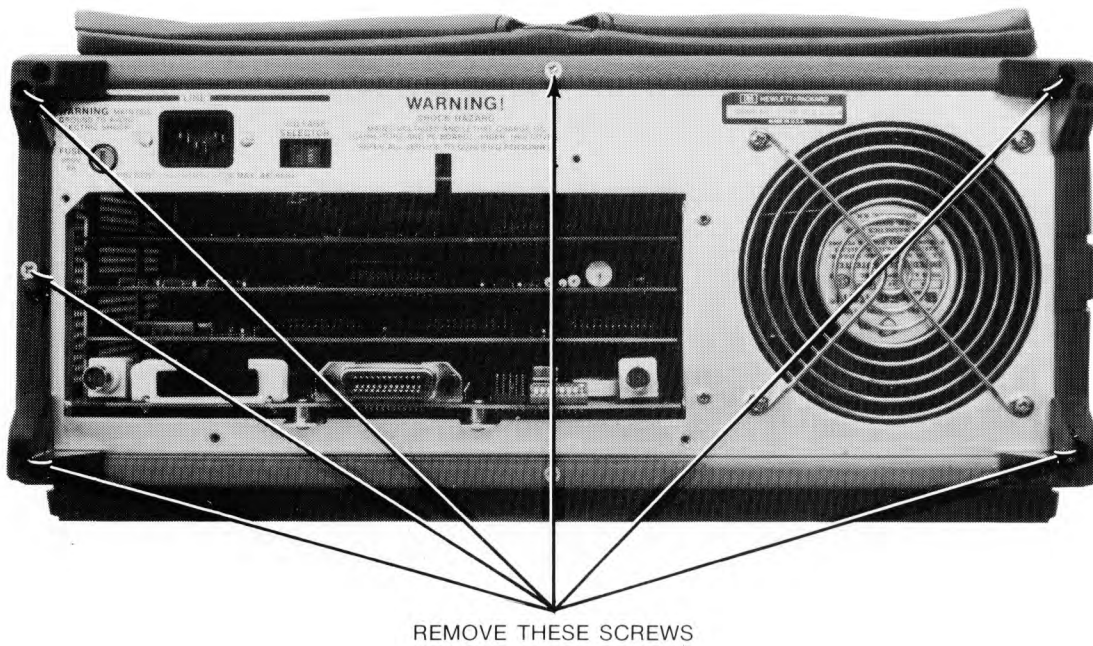


Figure 8-7.

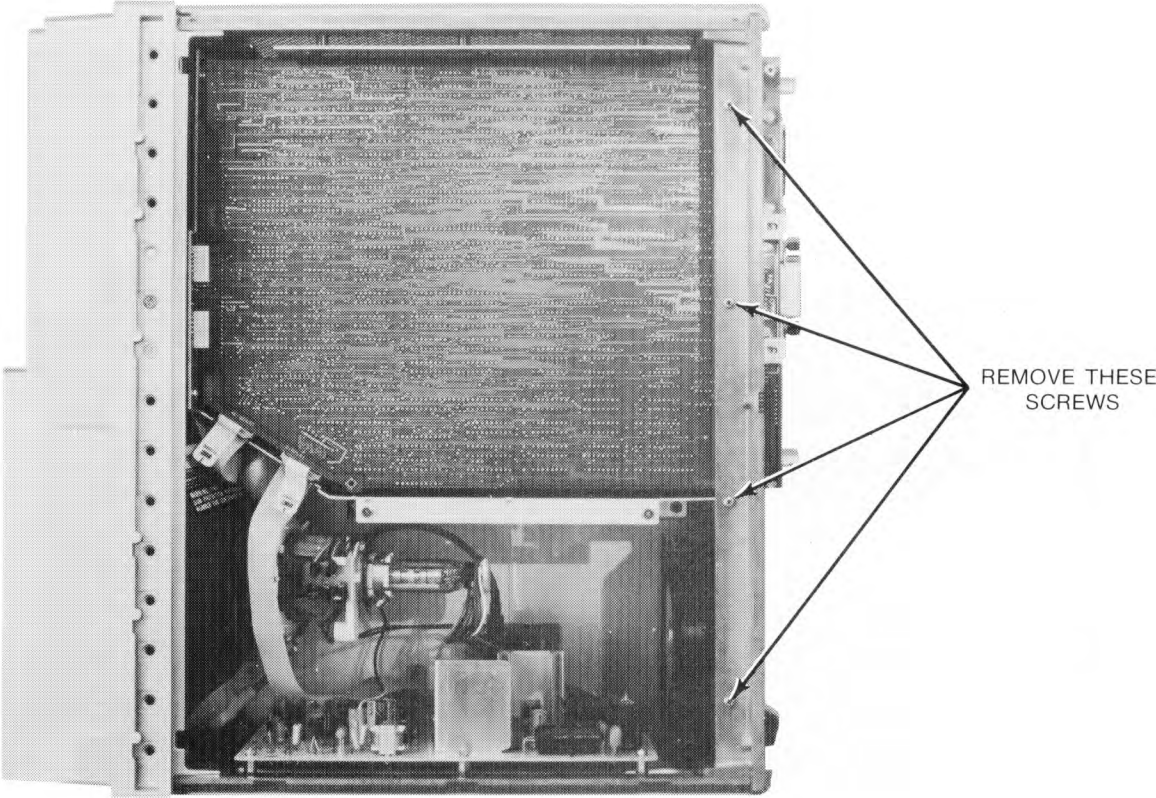


Figure 8-8.

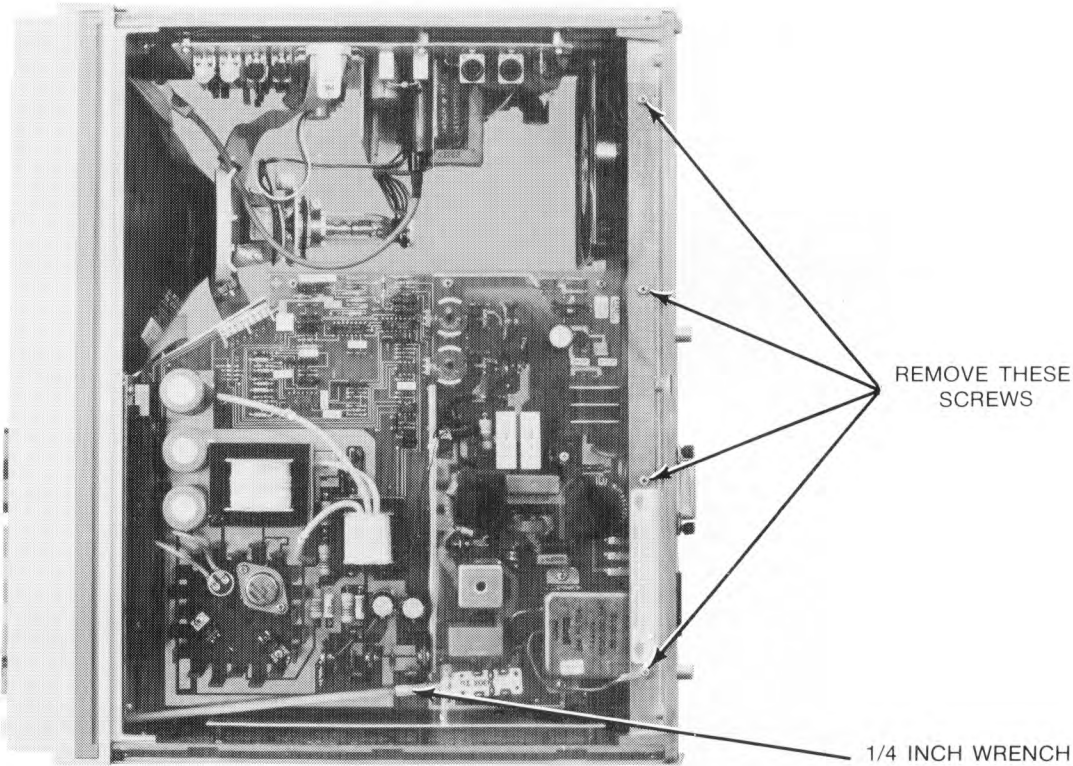


Figure 8-9.

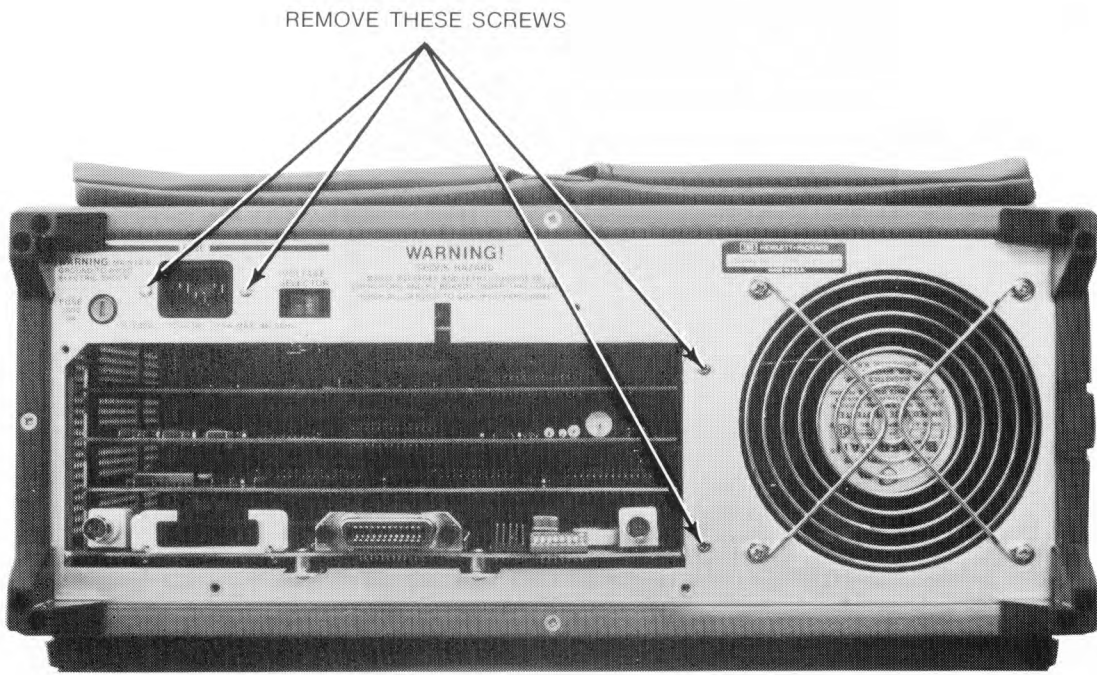


Figure 8-10.

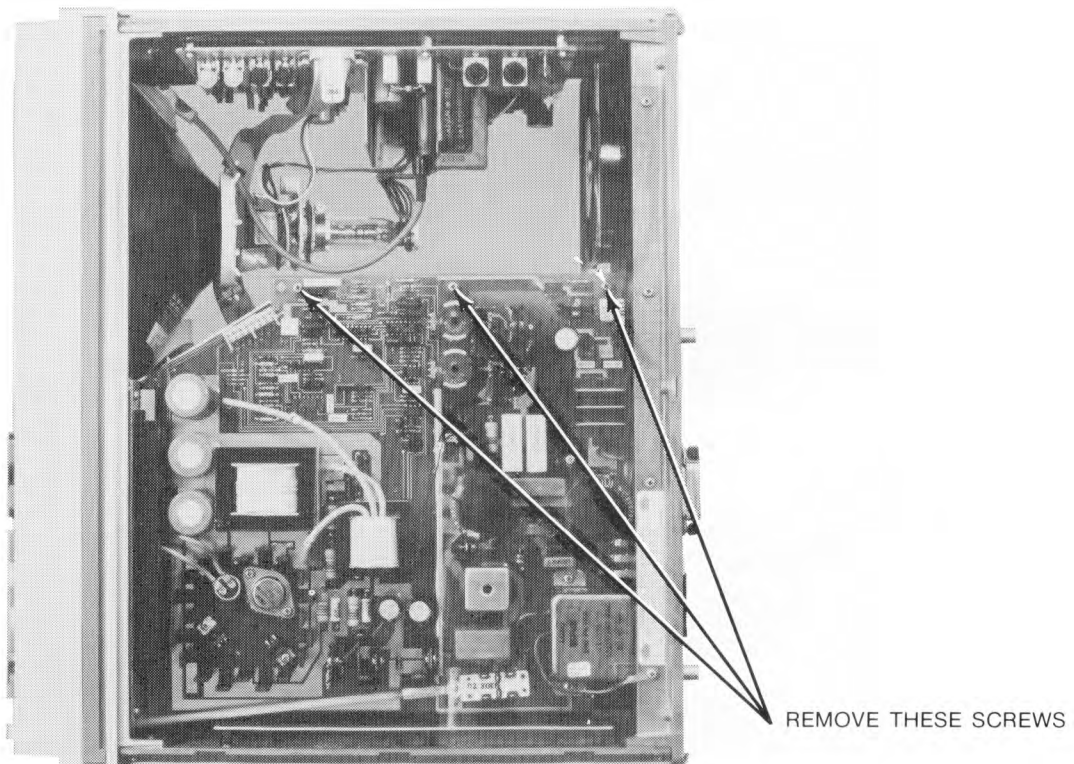


Figure 8-11.

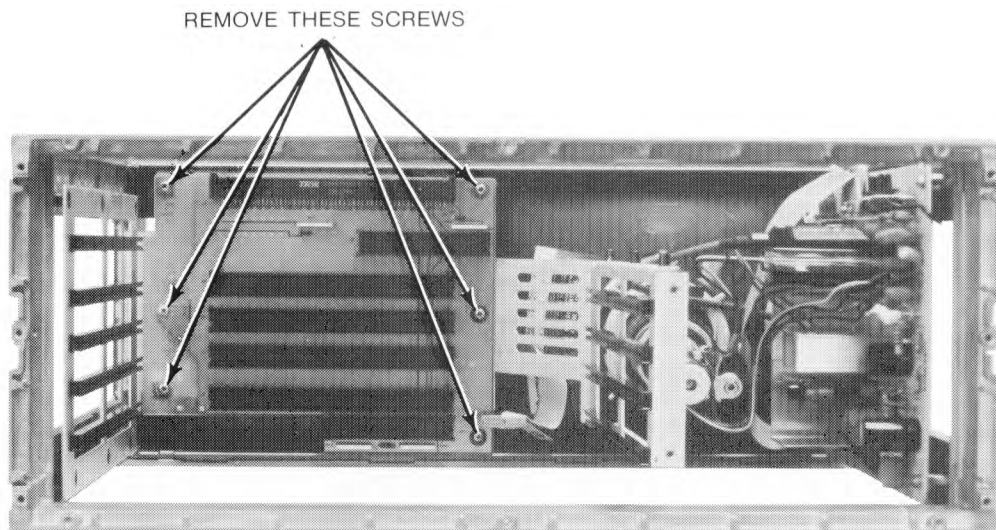


Figure 8-12.

## 8-11. Keyboard Removal

### WARNING

Hazardous voltages are present in the power supply, the CRT, and on the display driver board, even with the main line power switch set in the OFF position and power cord removed. Use extreme caution while servicing the unit with the top cover removed. Wait three minutes for the capacitors on the power supply and display driver boards to discharge to a safe voltage.

- a. Remove the four plastic standoffs and loosen the two screws that secure the top and bottom covers. See figure 8-7.
- b. Tilt the instrument on its side and remove the screw indicated in figure 8-13 and the bottom cover.
- c. Carefully lay unit in its proper bottom down position and remove the top cover.
- d. Carefully pry up and remove the top plastic trim strip and remove the screw indicated in figure 8-14.
- e. Slowly peel the two side vinyl adhesive trim strips being careful not to tear them.

### CAUTION

Discharge the post accelerator lead to the grounding lug ONLY. Component damage will occur if discharged to other areas.

### NOTE

The CRT may charge up by itself even while disconnected. Discharge the CRT by shorting the post accelerator terminal of the CRT to the ground lug with a jumper lead before handling.

- f. Short out the charge on the CRT by connecting a jumper lead between the ground lug of the CRT and the shaft of a screwdriver. Slip the screwdriver under the protective rubber cup of the post accelerator lead and then momentarily touch the screwdriver to the metal clip of the post accelerator lead. See figure 8-14.
- g. Disconnect the post accelerator lead from the CRT by firmly squeezing on the rubber cup until the metal clip disengages from the CRT.
- h. Disconnect the cable connecting the cathode of the CRT to the display driver. See figure 8-14.
- i. Disconnect the two cables connecting the CRT yoke to the display driver. See figure 8-14.

- j. Carefully pull and remove the black wire connecting the CRT ground lug to the display driver. See figure 8-14.
- k. Remove the four side screws (two screws to a side) that secure the front bezel to the frame. These are located under the adhesive side trim strips. See figure 8-15.
- l. Carefully pull the front bezel away from the frame being careful not to scratch the bezel or break the line switch shaft.
- m. Remove the four screws and washers connecting the keyboard to the front bezel. See figure 8-16.

To install a keyboard reverse the removal procedure.

## **8-12. CRT Removal**

- a. Follow steps (a) through (l) of the keyboard removal procedure. All WARNINGS and CAUTIONS apply for the CRT removal procedure.
- b. Remove the four screws and washers securing the CRT to the front bezel. See figure 8-16.

To install a CRT, reverse the removal procedure.

## 8-13. Display Driver Removal

- a. Turn OFF instrument and remove AC power cord.
- b. Remove the two plastic standoffs and loosen the screw that secures the top cover to the frame. Remove top cover. See figure 8-7.
- c. Remove the two screws that connect the handle and the side panel to the frame. Remove side cover.

**CAUTION**

Discharge the post accelerator lead to the grounding lug ONLY. Component damage will occur if discharged to other areas.

**NOTE**

The CRT may charge up by itself even while disconnected. Discharge the CRT by shorting the post accelerator terminal of the CRT to the ground lug with a jumper lead before handling.

- d. Short out the charge on the CRT by connecting a jumper lead between the ground lug of the CRT and the shaft of a screwdriver. Slip the screwdriver under the protective rubber cup of the post accelerator lead and then momentarily touch the screwdriver to the metal clip of the post accelerator lead. See figure 8-14.
- e. Disconnect the post accelerator lead from the CRT by firmly squeezing on the rubber cup until the metal clip disengages from the CRT.
- f. Disconnect the cable connecting the cathode of the CRT to the display driver. See figure 8-14.
- g. Disconnect the two cables connecting the CRT yoke to the display driver. See figure 8-14.
- h. Carefully pull and remove the black wire connecting the CRT ground lug to the display driver. See figure 8-14.
- i. Remove the six screws that mount the display driver on the frame and remove board. See figure 8-17.

To install a display driver board reverse the removal procedure.



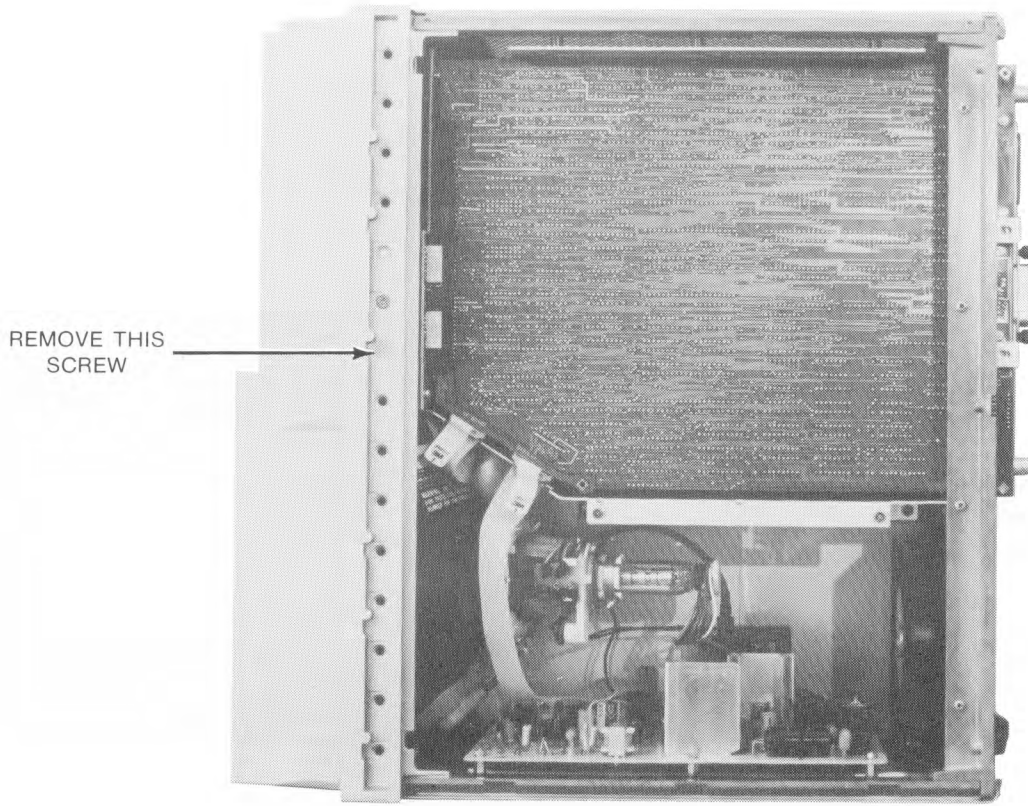
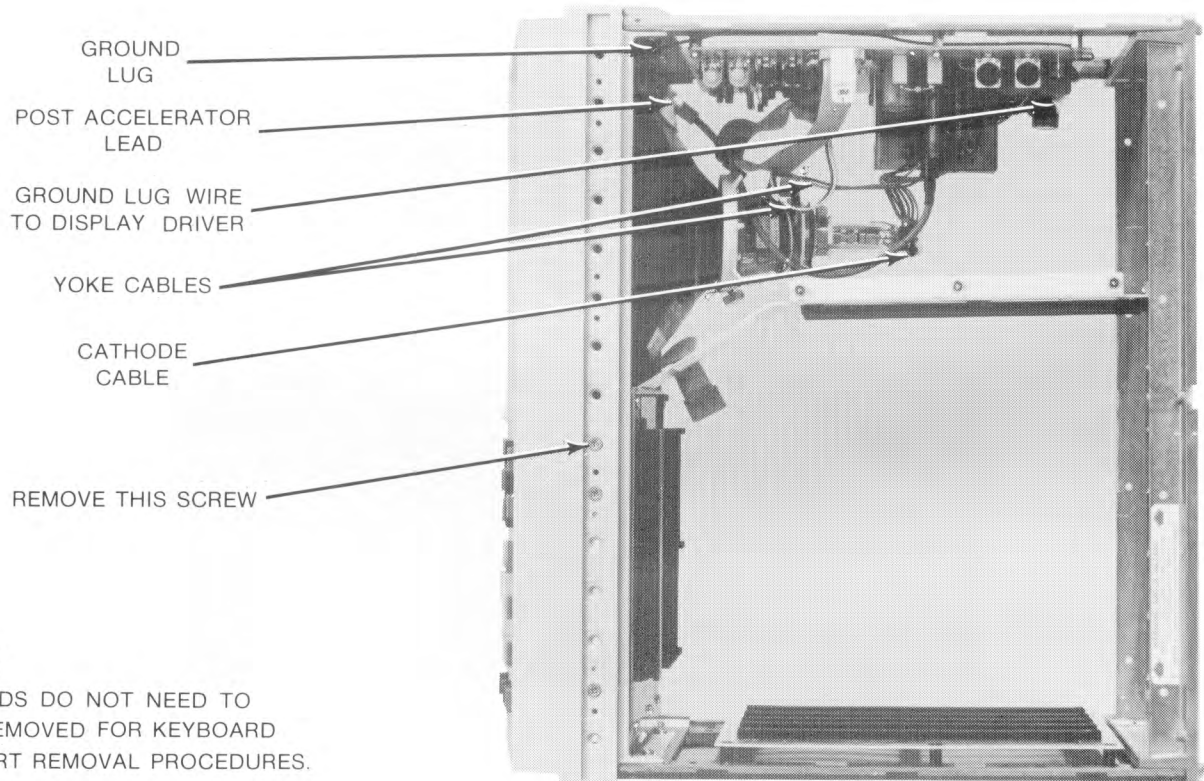


Figure 8-13.



**NOTE**

BOARDS DO NOT NEED TO BE REMOVED FOR KEYBOARD OR CRT REMOVAL PROCEDURES.

Figure 8-14.

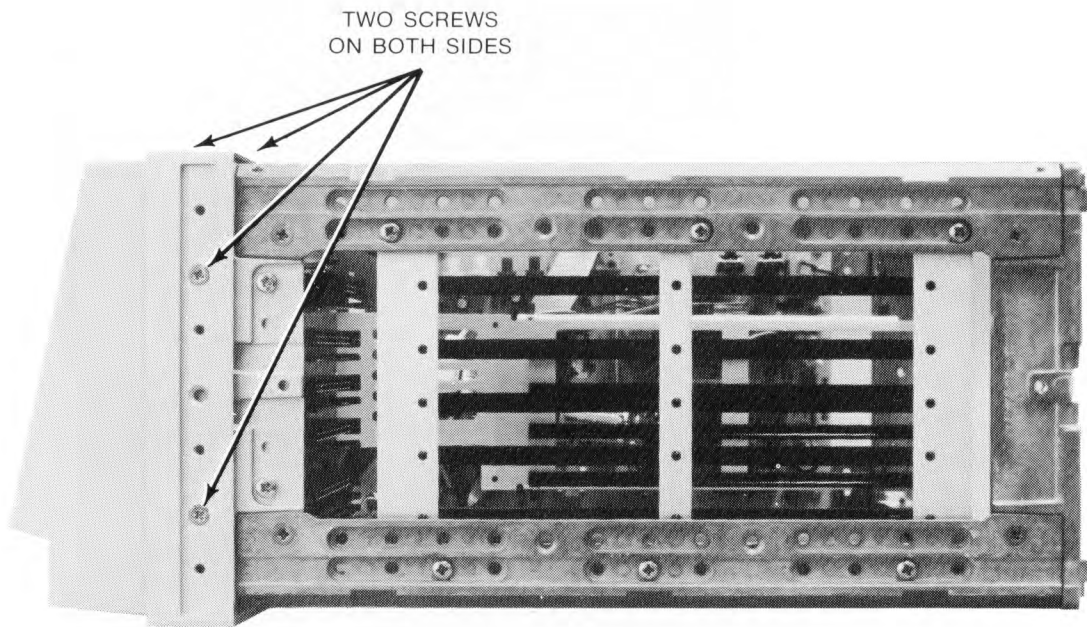


Figure 8-15.

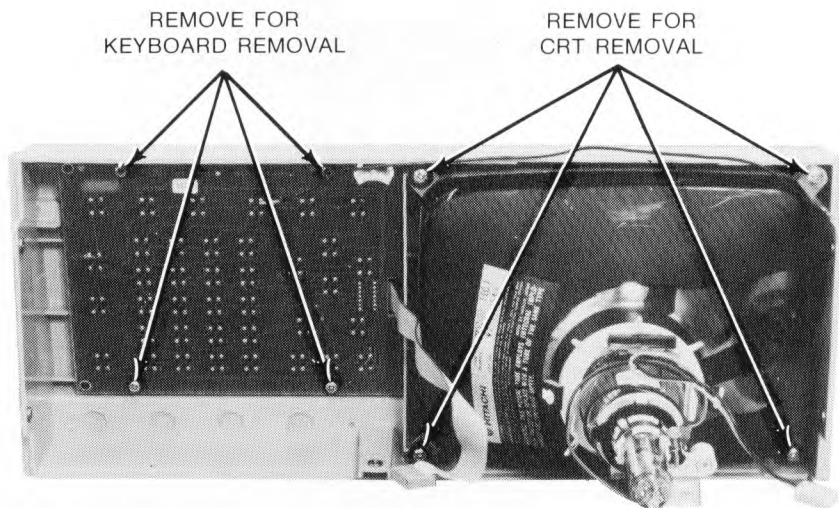


Figure 8-16.

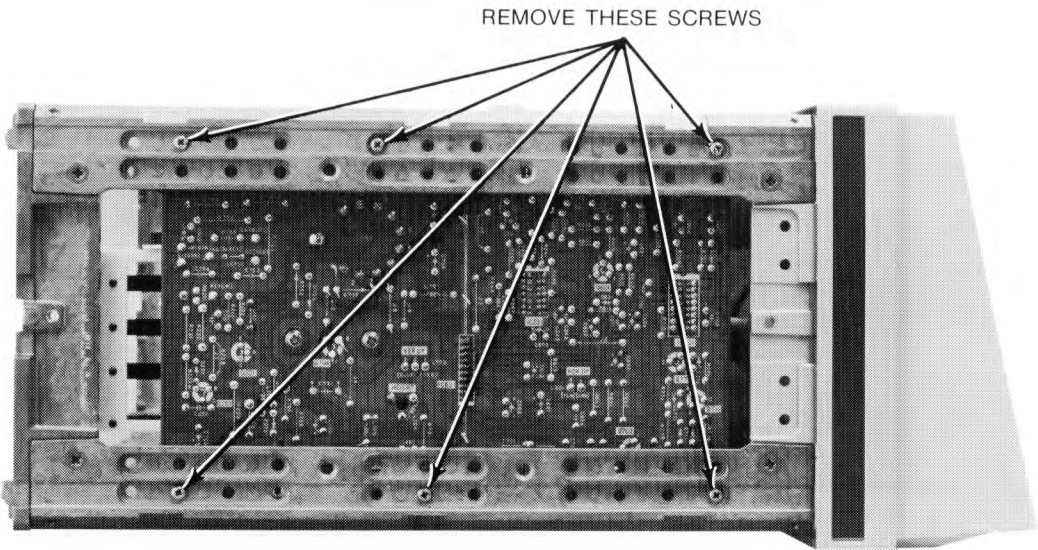


Figure 8-17.

## 8-14. Probe Disassembly (Hybrid Chip From Cable)

This procedure applies to both 10271A, 10272A, and 10273A probes.

- a. Remove the faulty probe cable from the back of the instrument.
- b. Remove the clip assembly from the probe housing.
- c. With the label facing down insert six toothpicks under the clips that hold the top of the probe housing to the bottom. See figure 8-18.
- d. Gently pull the bottom of the probe housing from the top.
- e. Remove the cable assembly and the hybrid chip from the top housing. See figure 8-19.
- f. While holding the hybrid chip gently pull up on the cable connector and pry the connector away with a screwdriver. Avoid excessive pulling on the cable wires. See figure 8-20.

### NOTE

When connecting the probe cable to the hybrid chip make sure that the black wire is in the position indicated on the hybrid chip.

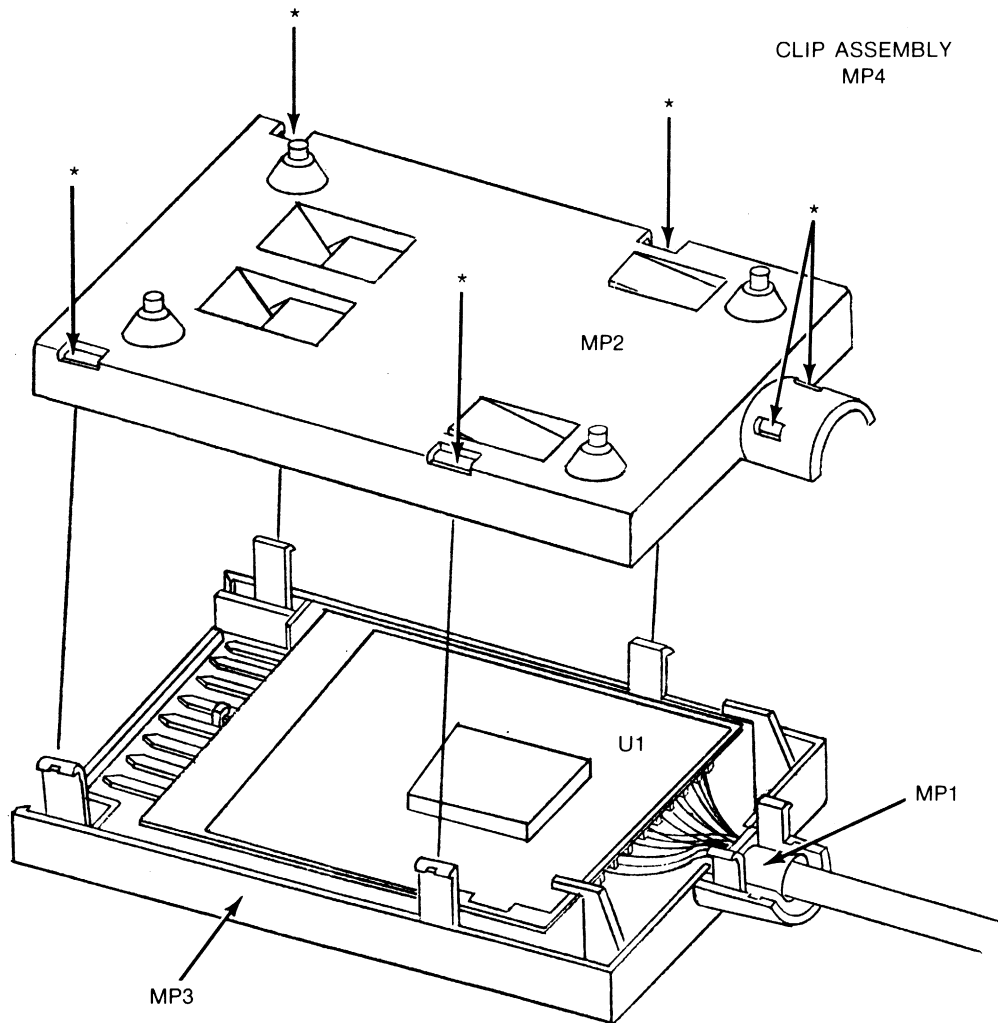
A probe hybrid chip or cable may be installed by reversing the removal procedure.

## 8-15. Macrocell Removal

- a. Gently pry the socket retaining clip away from the heatsink.
- b. Carefully pull the heatsink sideways away from the socket. The macrocell chip may come away with the heatsink.
- c. Remove the macrocell chip if it is still in the socket.

## 8-16. Macrocell Installation

- a. Place the macrocell chip (circuit side down) in the socket. The socket is keyed so that the macrocell chip will fit only one way.
- b. Put a thin coating of thermal compound on the back of the macrocell chip.
- c. Place the two small guide pins on the heatsink into the socket. The heatsink is keyed so it fits only one way.
- d. Gently push down on the heatsink and flip the socket retaining clip up and over the large heatsink guide pins.



\*INSERT TOOTHPICKS AT THESE POINTS

Figure 8-18.

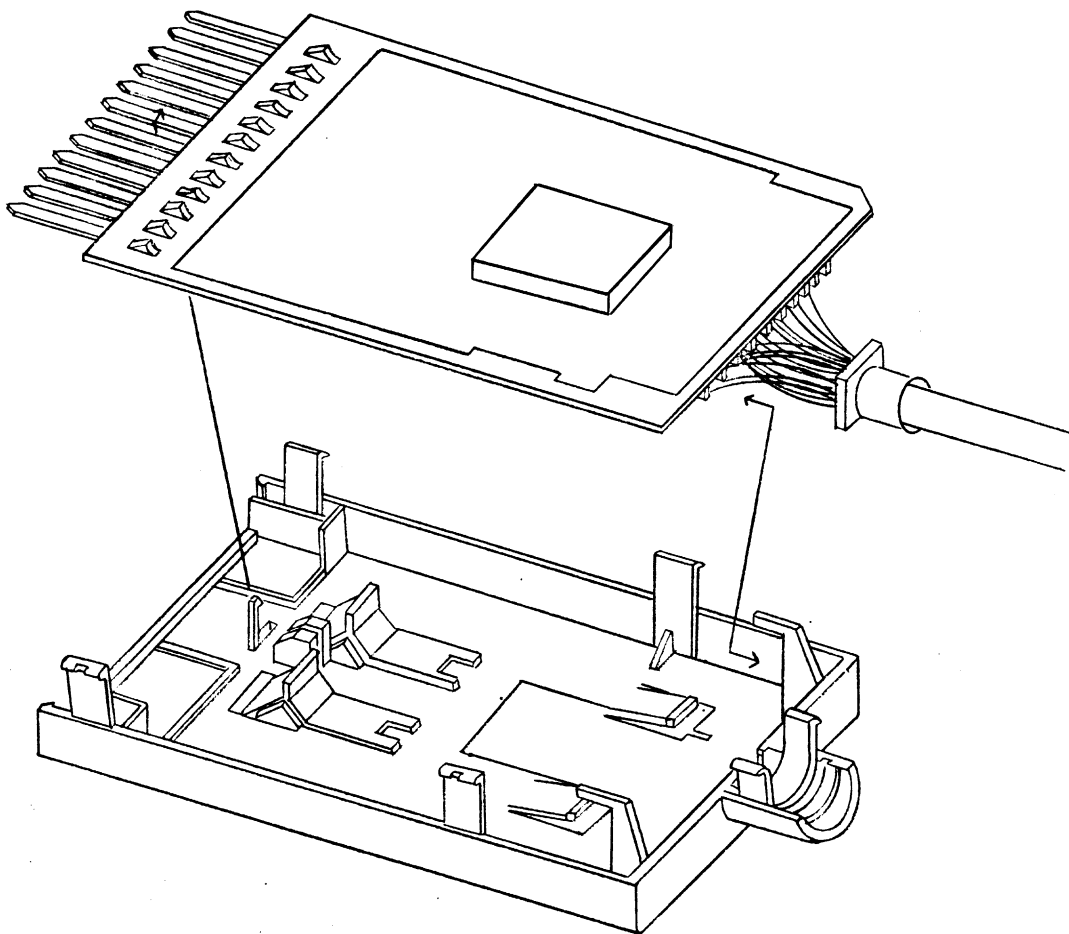


Figure 8-19.

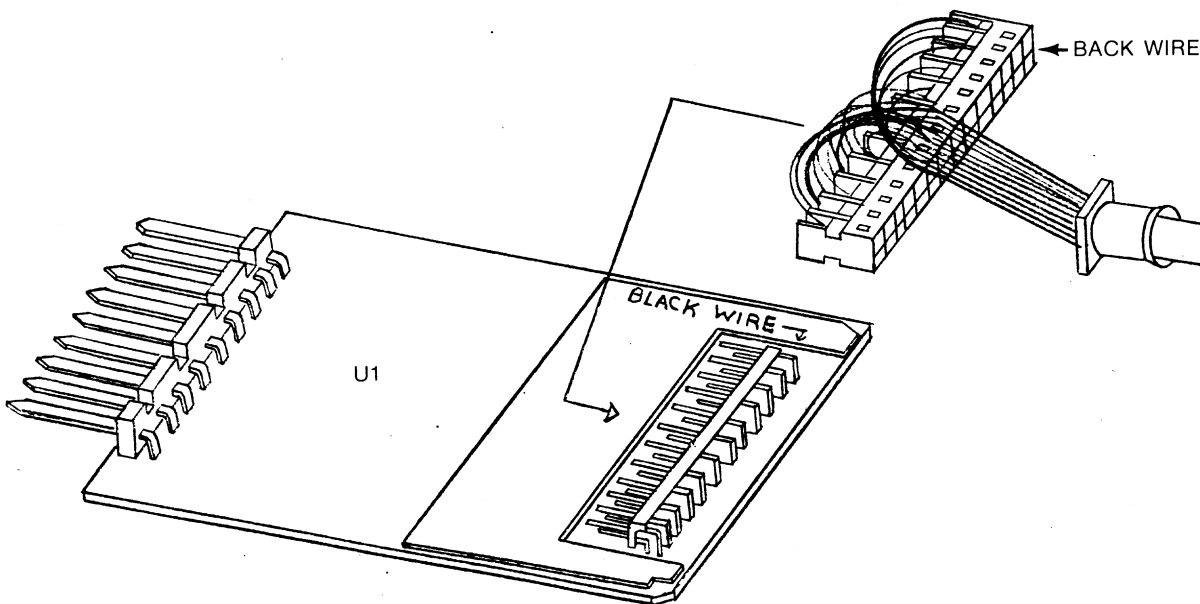


Figure 8-20.

## Service Group 8A Table of Contents

| Paragraph |  | Page  |
|-----------|--|-------|
| 8A-1.     | Introduction . . . . .                     | 8A-1  |
| 8A-2.     | Safety Considerations . . . . .            | 8A-1  |
| 8A-3.     | Specifications . . . . .                   | 8A-1  |
| 8A-4.     | Power Supply Block Diagram . . . . .       | 8A-2  |
| 8A-5.     | Power Supply Theory Of Operation . . . . . | 8A-5  |
| 8A-6.     | Primary Section . . . . .                  | 8A-5  |
| 8A-7.     | 115 VAC Operation . . . . .                | 8A-5  |
| 8A-8.     | 230 VAC Operation . . . . .                | 8A-5  |
| 8A-9.     | Surge Current Protection . . . . .         | 8A-5  |
| 8A-10.    | Overvolt Protection . . . . .              | 8A-5  |
| 8A-11.    | RFI Suppression . . . . .                  | 8A-5  |
| 8A-12.    | Control Section. . . . .                   | 8A-6  |
| 8A-13.    | PWM Overview . . . . .                     | 8A-6  |
| 8A-14.    | Modulation Control . . . . .               | 8A-6  |
| 8A-15.    | PWM Soft Start . . . . .                   | 8A-6  |
| 8A-16.    | PWM Switching Frequency . . . . .          | 8A-7  |
| 8A-17.    | Current Switching Operation . . . . .      | 8A-7  |
| 8A-18.    | Control Power Supply . . . . .             | 8A-7  |
| 8A-19.    | PWM Failure Modes . . . . .                | 8A-7  |
| 8A-20.    | PWM Failure Execution . . . . .            | 8A-7  |
| 8A-21.    | PWM Current Limiting . . . . .             | 8A-8  |
| 8A-22.    | +5 Current Limit . . . . .                 | 8A-8  |
| 8A-23.    | -2.4 Current Limit . . . . .               | 8A-8  |
| 8A-24.    | U3 and U4 Operation . . . . .              | 8A-8  |
| 8A-25.    | Primary Current Limit . . . . .            | 8A-9  |
| 8A-26.    | Thermal Shutdown. . . . .                  | 8A-9  |
| 8A-27.    | +5 Overvoltage . . . . .                   | 8A-9  |
| 8A-28.    | -5.2 Overvoltage . . . . .                 | 8A-9  |
| 8A-29.    | Secondary Section . . . . .                | 8A-10 |
| 8A-30.    | +5, -5.2, And -2.4 Secondaries . . . . .   | 8A-10 |
| 8A-31.    | +15, +12, And -12 Secondaries. . . . .     | 8A-10 |
| 8A-32.    | LED Failure Indications . . . . .          | 8A-10 |
| 8A-33.    | Motherboard Information. . . . .           | 8A-10 |
| 8A-34.    | Mnemonics . . . . .                        | 8A-13 |

## List of Illustrations

| <b>Figure</b> |  | <b>Page</b> |
|---------------|--|-------------|
| 8A-1.         | Power Supply Block Diagram . . . . .                           | 8A-3        |
| 8A-2.         | Functional Block Diagram of a PWM . . . . .                    | 8A-6        |
| 8A-3.         | Foldback Current Limiting . . . . .                            | 8A-8        |
| 8A-4.         | Troubleshooting Flowchart for LED Failure Indicators . . . . . | 8A-11       |
| 8A-5.         | Power Supply Component Locator . . . . .                       | 8A-14       |
| 8A-6.         | Power Supply Schematic . . . . .                               | 8A-15       |
| 8A-7.         | Motherboard Component Locator . . . . .                        | 8A-16       |

## List of Tables

| <b>Table</b> |   | <b>Page</b> |
|--------------|---|-------------|
| 8A-1.        | Power Supply Specifications . . . . .     | 8A-1        |
| 8A-2.        | Mnemonics . . . . .                       | 8A-13       |
| 8A-3.        | Motherboard Signal Distribution . . . . . | 8A-17       |



# SERVICE GROUP 8A

## POWER SUPPLY AND MOTHERBOARD

### 8A-1. INTRODUCTION

This Service Group contains block and component level theory, troubleshooting and schematic information necessary to service the 1630A/D/G power supply and motherboard. Service group 8A is separated into two sections: theory and troubleshooting.

### 8A-2. SAFETY CONSIDERATIONS

Several parts of the power supply have lethal voltage and current potentials associated with them. Primary filter capacitors C10 and C11 are very large and have 300 volts across them, + or - 150 Vdc to ground. This provides a great deal of potential energy. With their respective bleeders R4 and R5, the discharge time constant is 60 seconds so even with the supply turned OFF it can be dangerous! Therefore, wait at least three minutes for the supply to discharge before servicing.

### 8A-3. SPECIFICATIONS

The power supply used in the 1630A/D/G is a switching power supply that converts the AC line input to six regulated DC voltages. Table 8A-1 contains individual specifications for each voltage.

*Table 8A-1. Power Supply Specifications*

| INPUT   |             |                        |
|---|-------------|------------------------|
| 115 volt range: 90 to 127 VAC    Input I <sub>max</sub> = 4 Amps  |             |                        |
| 230 volt range: 180 to 253 VAC    Input I <sub>max</sub> = 2 Amps |             |                        |
| Frequency Range: 48 to 66 Hz in either voltage range.             |             |                        |
| OUTPUT  |             |                        |
| Volts   | % Tolerance | Maximum Current (Amps) |
| +15   | 5           | 0.8                    |
| +12   | 5           | 0.25                   |
| +5  | 5           | 6.0                    |
| -2.4  | 1           | 8.0                    |
| -5.2  | -5, +10     | 25.0                   |
| -12   | 5           | 0.25                   |

## **8A-4. POWER SUPPLY BLOCK DIAGRAM** (see Figure 8A-1)

The 1630A/D/G power supply is separated into three basic sections; Primary, Control and Secondary. The following is a brief outline of each section.

**PRIMARY SECTION.** The primary section is responsible for providing a rectified and conditioned switching source of approximately plus and minus 150 VDC, along with transformation for control power. The primary section also provides protection to the supply from AC input surge current and overvoltage conditions. This section also drives the internal cooling fan.

**CONTROL SECTION.** Control voltage generation, modulation and switching are the main functions of the control section. However, LED failure indication and failure execution is also a function of this section.

**SECONDARY SECTION.** The secondary section is responsible for filtering, rectification and feedback for the DC power supplies. Also, this section outputs all of the supplies to the test connector and the motherboard.

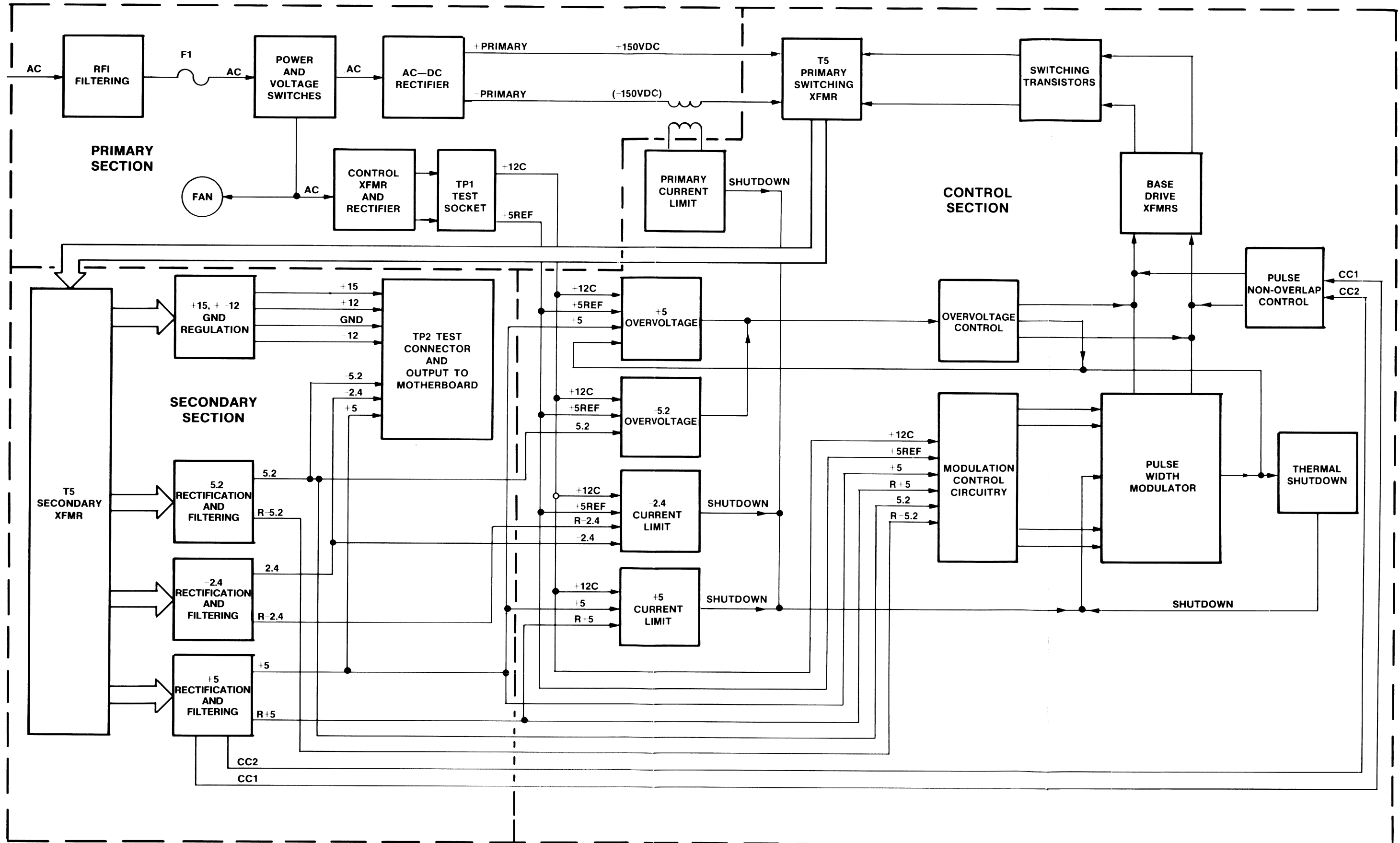


Figure 8A-1. Power Supply Block Diagram  
8A-3

**NOTES**

## 8A-5. POWER SUPPLY THEORY OF OPERATION

The theory of operation gives detailed operation of the circuitry on the power supply board. Refer to power supply schematic figure 8A-6 while reading.

### 8A-6. Primary Section

The power supply begins operation when the power switch (SW2) is turned ON providing AC line to FL1 which filters the AC for radio frequency interference (RFI). According to the setting of the line select switch (SW1), the primary section will operate in two modes, either 115 VAC or 230 VAC.

**8A-7. 115 VAC OPERATION.** Notice the way that the neutral line is wired to the primary output of the bridge rectifier (CR4), only two of the diodes of CR4 are used. These are the two that connect to the AC line input of CR4. This configuration produces ~300 V across the + and - outputs of CR4. During the 115 VAC mode this circuitry forms a half wave voltage doubler. Furthermore, while in the 115 VAC mode the primaries of T1 are in parallel so there is 115 VAC across each primary. The outputs of T1 are in parallel and have the same voltage across them during either the 115 or 230 VAC modes.

**8A-8. 230 VAC OPERATION.** When SW1 is in the 230 VAC mode, all four diodes in the bridge rectifier (CR4) are used. However, the voltage across the + and - outputs of CR4 is still ~300 V. During the 230 VAC mode this circuitry forms a full wave rectifier. While in the 230 VAC mode the primary inputs of T1 will be in series and still have 230 VAC across each primary winding.

The fan, in either the 115 VAC or 230 VAC mode will always have 115 VAC driving it. The varistors RV1 and RV2 on the primary side of T1 are for transient suppression. The thermistor, RT3, provides surge current protection for CR4.

**8A-9. SURGE CURRENT PROTECTION.** Because input filter capacitors C10 and C11 are connected directly across the rectified line, a form of surge current protection is provided to limit line surges during turn on. RT3 provides this protection.

**8A-10. OVERVOLT PROTECTION.** During an AC overvolt situation E1, E2, RT1, RT2 provide protection to the supply. When the neon bulbs (E1 and E2) reach their maximum voltage limit (~240 V), they drop to a low impedance and draw current through the thermistors (RT1 and RT2) and discharge C10 and C11. Note that due to a thermistor's high negative temperature coefficient of resistance, a thermistor presents a fairly high resistance when cold (during turn on) and a very low resistance when hot.

**NOTE:** This circuitry has been removed on later instruments. Please see the appropriate Service note at the back of this manual.

**8A-11. RFI SUPPRESSION.** RFI is generated by unwanted frequency energy caused by the switching components in the power supply. Inductors L2 (balun) and L1 prevent this radio frequency interference from being conducted back into the AC line.

## 8A-12. Control Section

The control section mainly consists of the circuitry needed to control the operation of the pulse width modulator (PWM). Also covered is the error detection and execution circuitry needed to control modulation.

**8A-13. PWM OVERVIEW** (see Figure 8A-2). A pulse width modulator (PWM) requires four signals for proper modulation: a reference voltage, a feedback from the output to compare with the reference voltage for error detection, feedback current from the output for output current limiting, and a predetermined switching frequency.

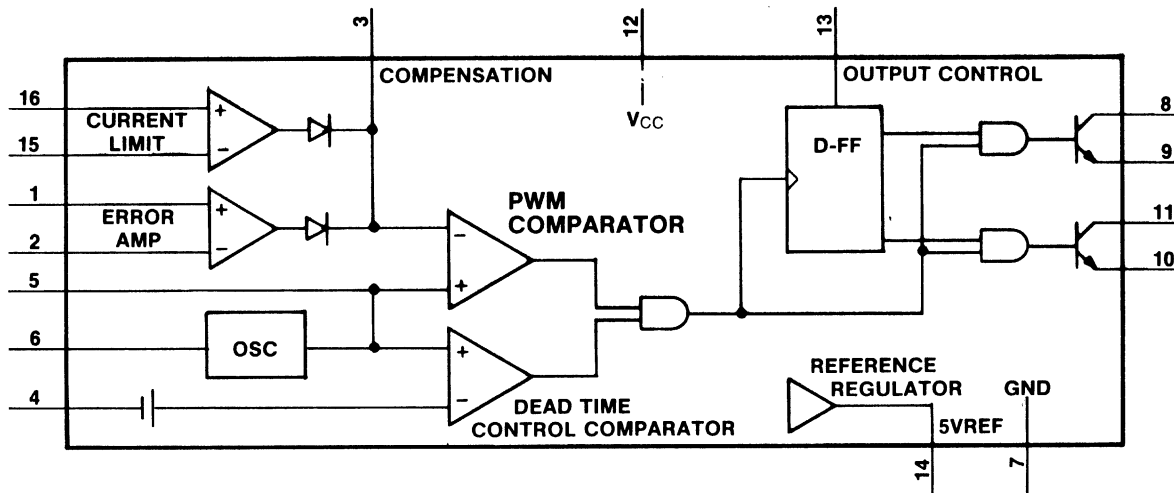


Figure 8A-2. Functional Block Diagram of a PWM

A PWM modulates its output transistors pulse width (ON time) according to the demands of the system. In this manner it controls the amount of current each switching transistor delivers and therefore controls the power. The PWM configuration used by this supply is for push-pull modulation. Push-pull modulation means that each internal open collector output transistor is turned ON alternately by the pulse-steering flip-flop. This configuration is determined by the output control input (OC) pin 13 being tied to the PWM's internal 5V reference regulator, pin 14.

**8A-14. MODULATION CONTROL.** If the +5V feedback voltage at pin 1, U5, is higher than the reference voltage at pin 2, the PWM determines that the output voltage is too high. It then reduces its output transistors pulse widths to within limits.

**8A-15. PWM SOFT START.** When AC is switched ON, capacitor C21 has not charged. This forces the dead-time control input, pin 4 of U5, to follow the 5V reference regulator output, pin 14. Note, when dead-time is high, both outputs are disabled (100% dead-time). While C21 is charging through RP2 (pins 5 and 6), the output pulse widths are allowed to modulate slowly until dead-time is low and 100% modulation is allowed. Soft start is used to prevent large current surges which may occur on power up. Also, a soft start prevents a false signal, possibly created by the control circuitry, from resetting the PWM during power up.

**8A-16. PWM SWITCHING FREQUENCY.** The 42 KHz internal oscillation frequency of the PWM is determined by the RC time constant of R21 and C22 connected to pins 6 and 5 of U5. Therefore, each open collector output transistor (pins 8 and 11) is turning ON and OFF alternately at about 21 KHz.

**8A-17. CURRENT SWITCHING OPERATION** (see figure 8A-6). The open collector outputs, pins 11 and 8 of U5, are complementary and non-overlapping. For zero on-time (zero modulation time), both outputs are high. As demand increases, each output stays low (at different times, non-overlapping) for a longer period until one is going high as the other is going low or until one of the feedback signals limits the pulse duration. Each output is inverted through U2F,G, another open collector device, and alternately causes changing current through the primaries of T2 and T3. These transformers alternately turn Q1 and Q2 ON and OFF which causes the current in the primary of T5 to alternate.

The signals CC1 and CC2 (from U2B,C) prevent or delay the switching of Q1 and Q2. For example, suppose the following condition exists. The power supply is experiencing a heavy demand and must allow close to 100% modulation to meet it. Q1 has turned ON per the request of the PWM and has pulled the one node of T5 to the + primary voltage. Then the PWM tells Q1 to turn OFF and Q2 to turn ON. Q2 can turn ON immediately, but Q1 cannot turn OFF that quickly because of charge storage. The CC2 signal is a feedback signal from the secondary of T5 senses this condition and will not allow Q2 to turn ON until Q1 turns OFF and the voltage on the secondary of T5 stabilizes. To allow Q2 to turn ON sooner would have the effect of shorting the + primary voltage to the - primary voltage for a short period of time (an enormous waste of power not to mention damage to components).

## **8A-18. Control Power Supply**

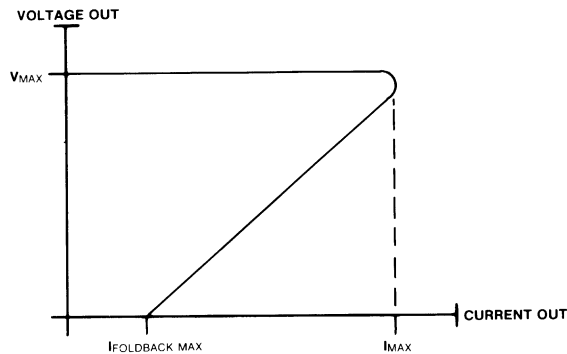
As soon as AC is switched ON, CR1 rectifies AC and starts charging C3, a ripple filter for the 12 volt regulator VR1. The output of VR1 lags the input by about 1 V on power up until it stabilizes at +12 V. VR1 is the power supply for +12C (a control power supply used only on the power supply board). +12C supplies U1 which is the +5 reference source (+5REF).

## **8A-19. PWM Failure Modes**

**8A-20. PWM FAILURE EXECUTION.** There are seven failure execution circuits in the 1630A/D/G power supply. One of these failures, -5.2 current limit, affects the current limit input, U5 pins 15 and 16, of the PWM. Four of the failures affect the Compensation/PWM Comparator input (COMP) pin 3, U5. The COMP input must be allowed to float during normal operation. If an error occurs with the +5 or -2.4 current limit, primary current limit, or thermal shutdown pin 3 will be pulled high and the PWMs' output transistors will be shut OFF. Two of the failures, +5 and -5.2 overvoltage act directly on the drive lines to the Primary Base Drive Transformers.

Several of these failures have LED indicators which indicate the nature of the failure.

**8A-21. PWM CURRENT LIMITING.** This power supply uses fold-back current limiting. The actual current limit value is determined by sensing the DC voltage developed across the internal resistance of T6 pins 2,11 and 3,10 (T6 contains six internal inductors). Current limiting of the -5.2V supply works by developing a voltage across C20 that is equivalent to the maximum load current times the internal resistance of T6 pins 2,11 and 3,10. The voltage across C20 is then compared to the reference voltage at pin 15 of U5. The foldback of the maximum current limit value is determined by the decrease in the voltage across R17. When the voltage across R17 decreases, the voltage required across C20 also decreases. The decrease across C20 causes the PWMs internal comparator to go more positive and reduce modulation until the -5.2 output voltage across R16 increases, allowing C20 to charge to the value of the reference voltage. See figure 8A-3 below.



*Figure 8A-3. Foldback Current Limiting*

**8A-22. +5 CURRENT LIMIT.** This circuit also operates similarly to the PWM except: the DC component is taken from T6 pins 1 and 12; C43 sets the current limit value; R36 sets the foldback limit; and P/O RP3 pins 4 and 3 adjust the foldback limit. When current limit occurs, pin 14 of U6D goes high and biases CR17, which makes pin 3 of U5 more positive and reduces modulation.

**8A-23. -2.4 CURRENT LIMIT.** This circuit operates similarly to the PWM except: the DC component is taken from T6 pins 4 and 9; C45 sets the current limit value; P/O RP3 pins 5 and 6 set the foldback limit; and R40 adjusts the foldback limit. When a current limit occurs, pin 8 of U6C goes high and biases CR16, which makes pin 3 of U5 more positive and reduces modulation.

**8A-24. U3 AND U4 OPERATION.** U3 and U4 are overvoltage sensors. U3 and U4 will turn ON LEDs if an error condition is detected, and both will generate SHUTDOWN. U3 and U4 work in the following manner. When the voltage at pin 2 exceeds the voltage at pin 7 by 2.6 volts, the output pin 8 latches high to turn ON the failure LED and generate SHUTDOWN. The capacitor on pin 3 and pin 4 of U3 and U4 determine the minimum amount of time that an error must exist before they turn ON, thus providing transient protection.



**8A-25. PRIMARY CURRENT LIMIT.** U4 detects an error via T4. The primary side of T4 is in the return loop of the minus primary voltage for the switching transistors. The change of current through the primary of T4 establishes a voltage drop in the secondary, rectified by CR10, divided by R14 and R15, and detected at pin 2 of U4. If the voltage at pin 2 of U4 is greater than 2.6 volts, (a slight delay is provided by C19), U4 latches and turns ON the primary current limit LED "PL" and sets SHUTDOWN high which turns OFF U5.

**8A-26. THERMAL SHUTDOWN.** The circuitry for U3 detects an over temperature condition and generates SHUTDOWN. A normally closed thermal switch (SW3) is mounted on heatsink MP9. When the heatsink exceeds 105 C, the thermal switch opens and U3 detects an error. When pin 8 latches high, the thermal shutdown LED "TH" is turned ON. Then SHUTDOWN is generated and U5 is turned OFF.

**8A-27. +5 OVERVOLTAGE.** An overvoltage failure occurs when the +5 volt supply exceeds 6 volts making the voltage at pin 3 of U6A greater than the 5V reference on pin 2. This in turn makes pin 1 of U6A go high forcing two operations to occur. The first operation biases CR13 which keeps pin 3 of U6A high regardless of the overvolt condition. The second operation biases CR11, thus making the outputs of U2A, U2D and U2E low. With U2E low, the "OV" (overvoltage) LED (P/O DS1) goes ON indicating an overvoltage failure. Furthermore, with U2A and U2D low, U2F and U2G are unable to deliver a switching frequency to the base drive transformers. This turns OFF the supplies. Note, that if an overvoltage failure occurs, the power must be cycled OFF/ON in order to reset the overvoltage circuitry.

**8A-28. -5.2 OVERVOLTAGE.** Except for polarity considerations, the -5.2 overvoltage circuitry operates the same as the +5 overvoltage circuit. This circuit turns OFF at -6.2 volts.

## **8A-29. Secondary Section**

**8A-30. +5, -5.2, AND -2.4 SECONDARIES.** Three of the four switching supply secondaries operate relatively the same. The +5 supply will be used as an example of their operation.

The alternating voltage in the center tapped secondary of T5 is full wave rectified by two Schottky diodes (CR20) mounted on a heatsink (MP9). The R27/C28 combination is a snubber network that limits the dv/dt to protect the diodes. CC1 and CC2 (cross conduction 1 and 2) prevent both switching transistors from being ON at the same time and shorting the + and - primary voltages together. P/O T6 and C49 are the filter for the supply. The LED "NORM" being ON indicates that the supply is operating properly.

Except for polarity and the lack of an LED indicator, the -2.4 and -5.2 supplies are the same as the +5 supply.

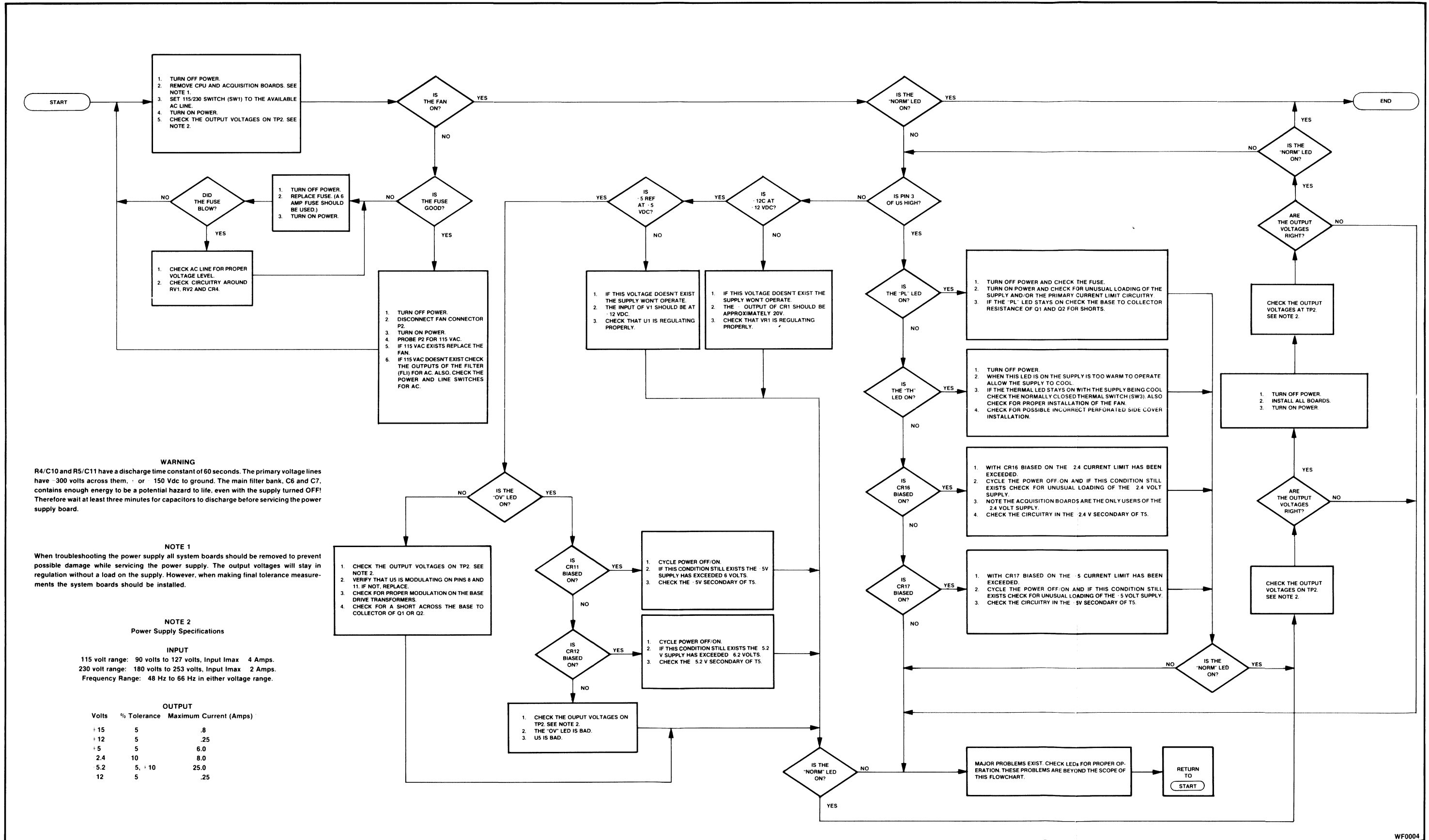
**8A-31. +15, +12, AND -12 SECONDARIES.** The alternating voltage of T5 is full wave rectified by CR15. R24 and C23 form a snubber network to protect CR15. P/O T6, C25 and C26 filter the outputs of CR15 before they are regulated by VR2, VR3 and VR4. The outputs of the regulators are filtered by C29-31 before the +15, +12 and -12 voltages are supplied to the motherboard.

## **8A-32. LED FAILURE INDICATIONS**

Figure 8A-4 is a flow chart that guides the user to the faulty circuit(s) indicated by a power supply failure LED.

## **8A-33. MOTHERBOARD INFORMATION**

The motherboard connects and distributes all of the signals from the power supply, CPU, and State and Timing boards. Figure 8A-7 is a component locator for the parts on the motherboard. Table 8A-3 gives the motherboard connections and instrument signal distribution.



WF0004

Figure 8A-4. Troubleshooting Flow Chart For LED Failure Indicators  
8A-11

**NOTES**

## 8A–34. MNEMONICS

Signals on the 1630A/D/G power supply board have been assigned mnemonics that describe the function of the signal (see table 8–1. Logic Symbols). A prefix letter (H, or L) is used to indicate the active state of the signal and the remaining letters indicate its function. An "H" prefix indicates that the function is active in the "high" state; an "L" prefix indicates that the function is active in the "low" state. The following table is a listing of the mnemonics used on the schematic.

*Table 8A-2. Mnemonics*

| <b>Mnemonic</b> | <b>Description</b>   |
|-----------------|--|
| +12C            | +12 V Control. This is the control voltage used throughout the supply. If +12C is not in regulation, the supply will not operate properly.                             |
| CC1,2           | Cross Conduction 1 and 2. Complementary signals used to prevent both switching transistors from being ON at the same time.   |
| NORM            | Normal. When this LED is ON, the power supply is working correctly.  |
| OV              | Over Voltage. When this LED is ON, either the +5 or –5.2 volt supply has exceeded its voltage limits. When asserted, the PWM U5 will be shut OFF.                      |
| PL              | Primary Limit. When this LED is ON, a non-linear surge in current has occurred in the primary section. When asserted, the PWM U5 will be shut OFF.                     |
| PWM5VREF        | Pulse Width Modulator 5 V Reference. A +5 volt reference from U5's internal reference regulator.   |
| R+5             | Return +5. The voltage on this line is the DC component of the +5 volt supply. It is used to set the current foldback limit of the +5 current limit circuit.           |
| R–2.4           | Return –2.4. The voltage on this line is the DC component of the –2.4 volt supply. It is used to set the current foldback limit of the –2.4 current limit circuit.     |
| R–5.2           | Return –5.2. The voltage on this line is the DC component of the –5.2 volt supply. It is used by the PWM U5 to set the foldback current limit of the –5.2 volt supply. |
| SHUTDOWN        | This signal is generated in several places and is responsible for turning OFF the PWM U5 by pulling pin 3 high.  |
| TH              | Thermal. Thermal switch SW3 opens when the internal temperature of the supply is greater than 105 degrees C. When the TH LED is ON, PWM U5 is turned OFF.              |

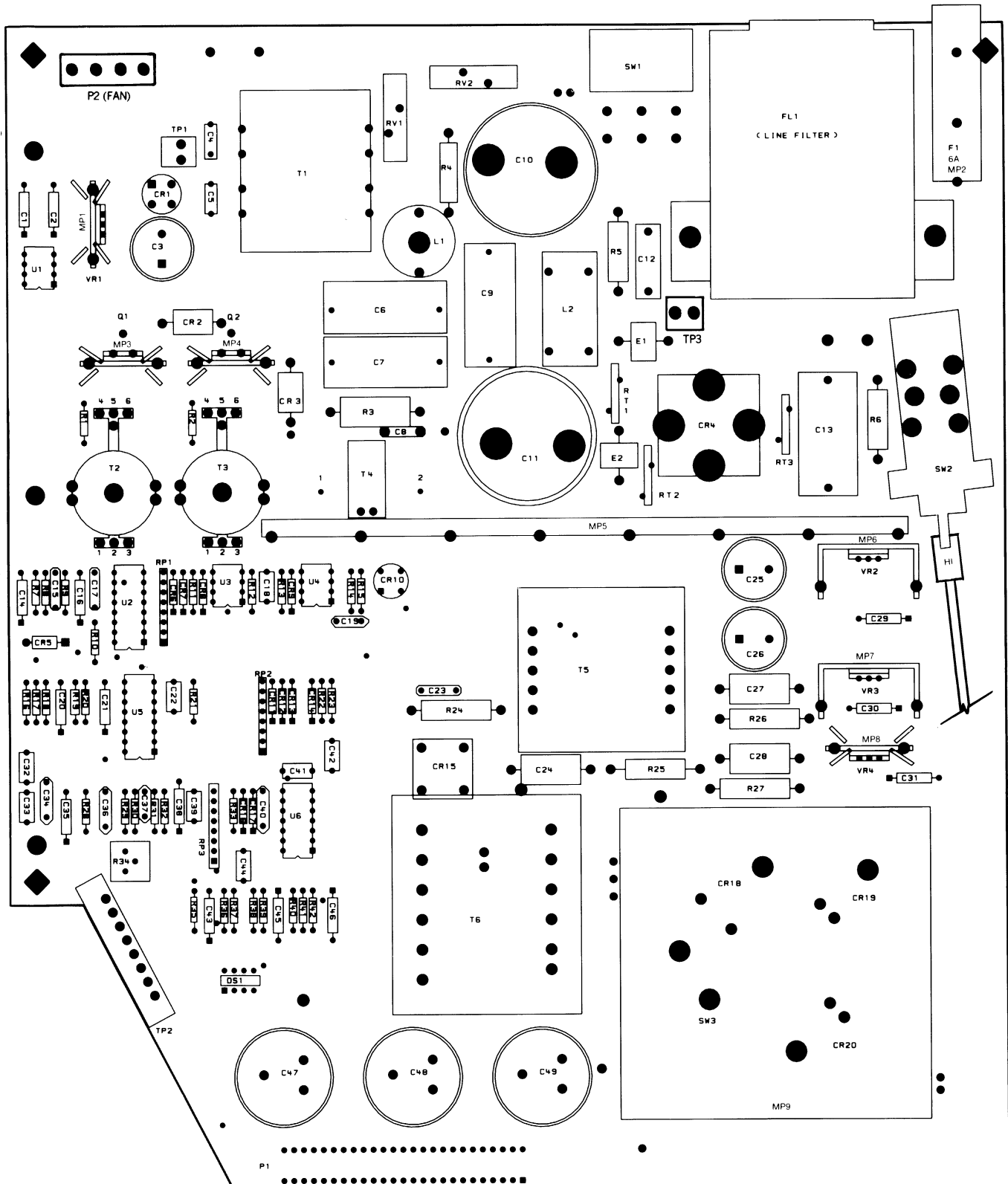


Figure 8A-5. Power Supply Component Locator

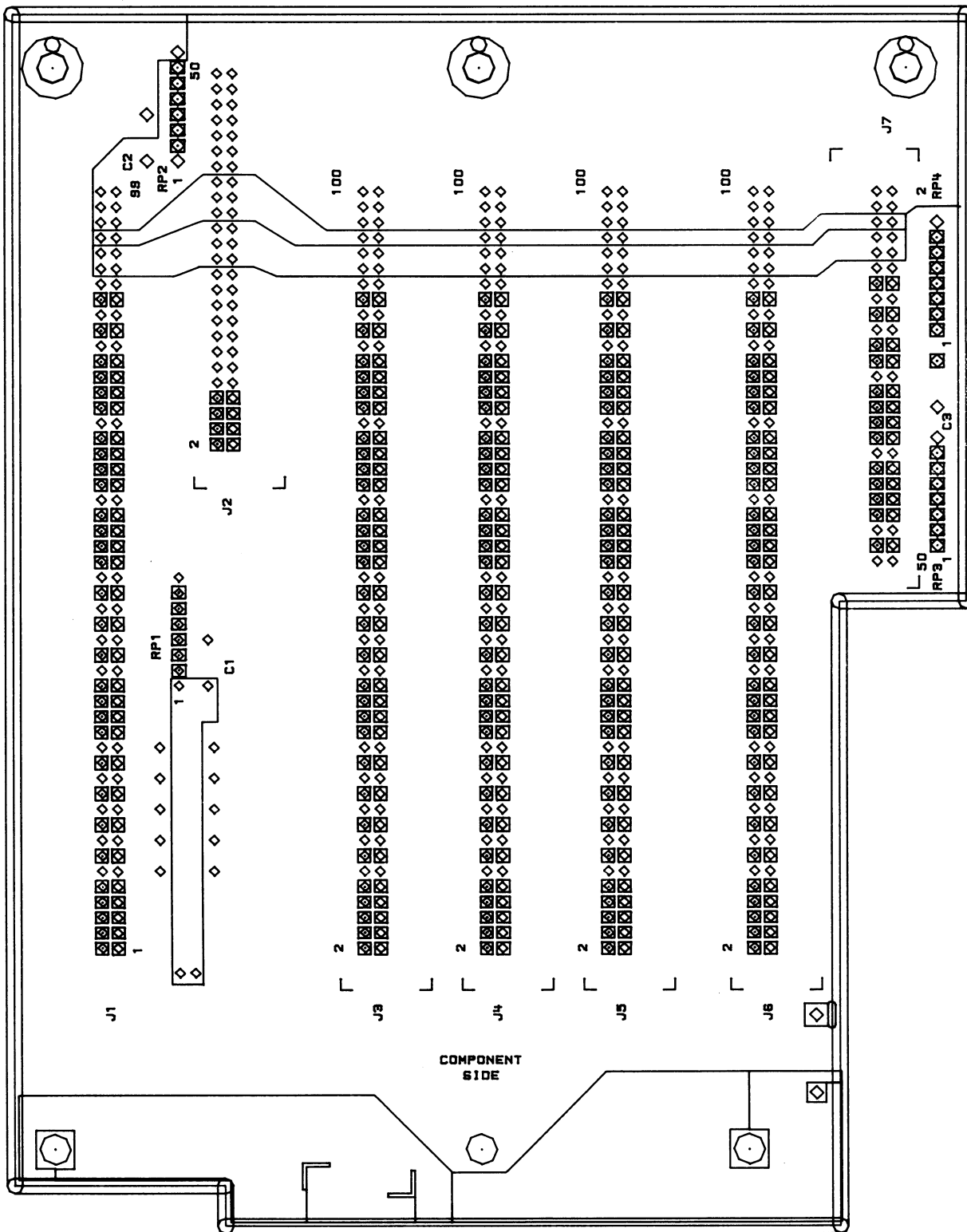
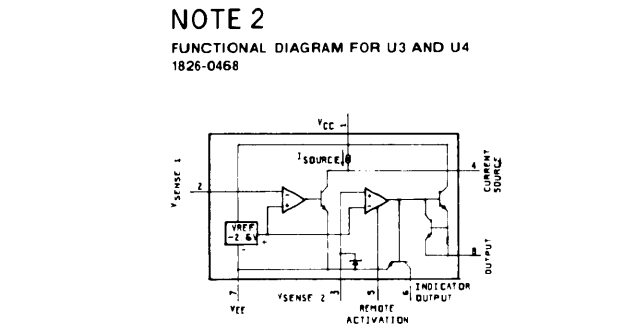
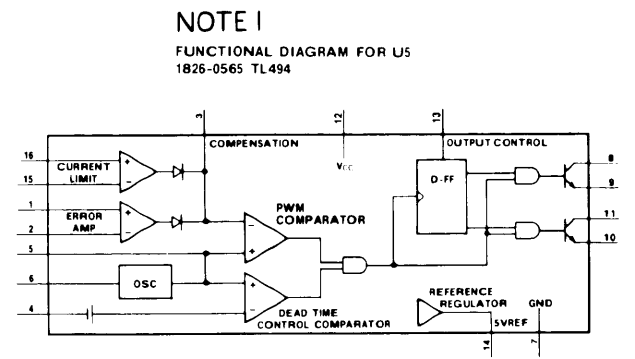


Figure 8A-7. Motherboard Component Locator



**NOTE 3**  
PROBING THESE PINS MAY CAUSE UNWANTED SYMPTOMS.

**NOTE 4**  
BELOW IS THE 120V FAN CIRCUIT USED IN SERIAL PREFIXES BEFORE 2412A.

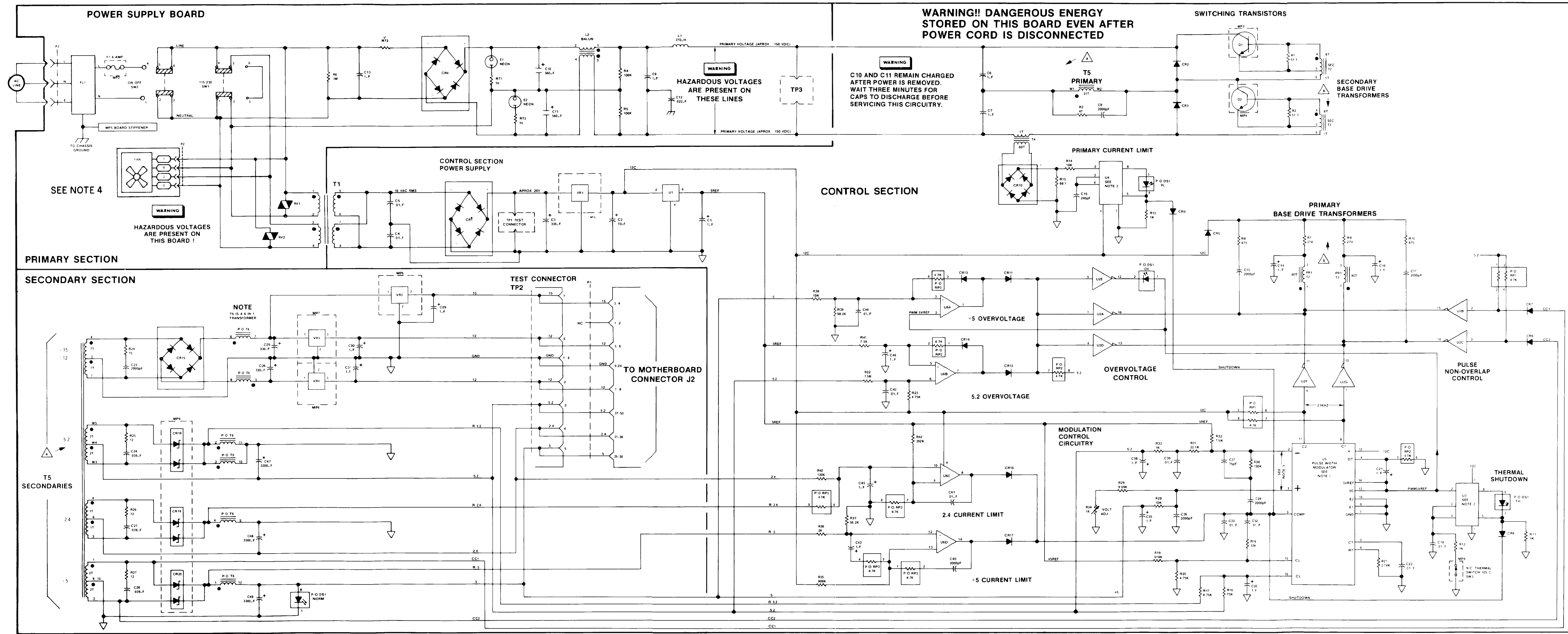
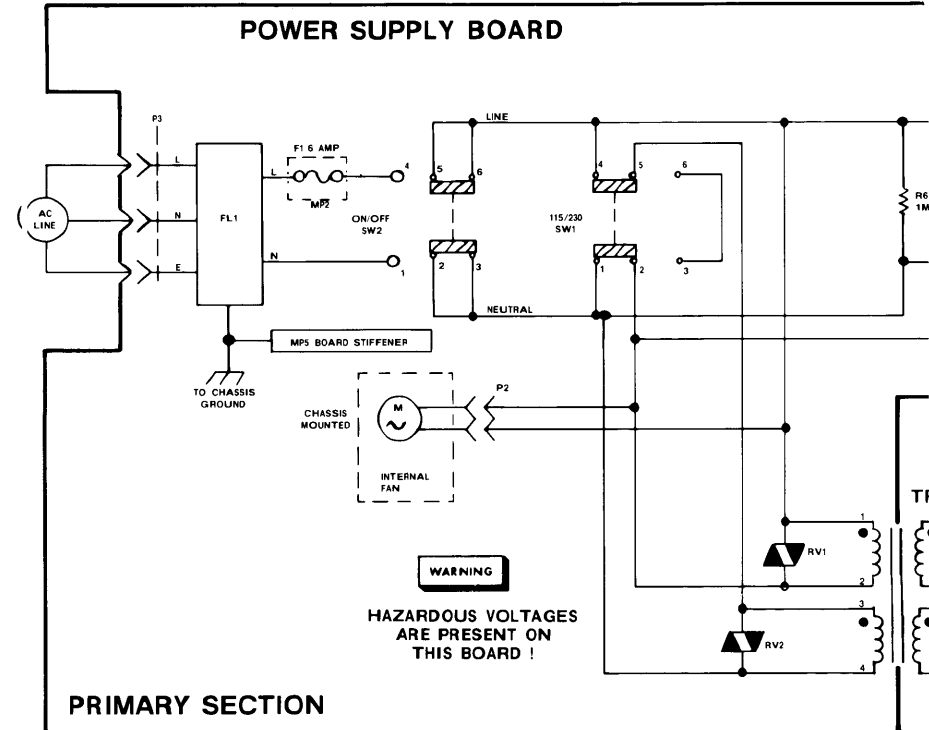


Figure 8A-6. Power Supply Schematic  
8A-15



Table 8A-3. Motherboard Connections &amp; Signal Distribution.

| MOTHERBOARD CONNECTIONS & SIGNAL DISTRIBUTION |        |           |                       |                        |                       |                      |                              |
|---|--------|-----------|-----------------------|------------------------|-----------------------|----------------------|------------------------------|
| SIGNAL  | PIN    | CPU<br>J6 | STATE<br>MASTER<br>J5 | TIMING<br>MASTER<br>J4 | TIMING<br>SLAVE<br>J3 | STATE<br>SLAVE<br>J3 | TERM<br>LOCATION<br>(NOTE 3) |
| GS4   | 1      | B-7       | [C-1]                 |                        |                       |                      |                              |
| THR4  | 2      | [B-7]     | C-1                   |                        |                       |                      |                              |
| GS3   | 3      | B-7       | [C-1]                 |                        |                       |                      |                              |
| THR3  | 4      | [B-7]     | C-1                   |                        |                       |                      |                              |
| GS2   | 5      | B-7       |                       | [D-1]                  |                       |                      |                              |
| THR2  | 6      | [B-7]     |                       | D-1                    |                       |                      |                              |
| GS0   | 7      | B-7       |                       |                        | [E-1]                 |                      |                              |
| THR0  | 8      | [B-7]     |                       |                        | E-1                   |                      |                              |
| GS1   | 9      | B-7       |                       |                        |                       | [F-1]                |                              |
| THR1  | 10     | [B-7]     |                       |                        |                       | F-1                  |                              |
| GND   | 11, 12 |           |                       |                        |                       |                      |                              |
| NOT USED                                      | 13     |           |                       |                        |                       |                      |                              |
| NOT USED                                      | 14     |           |                       |                        |                       |                      |                              |
| GND   | 15, 16 |           |                       |                        |                       |                      |                              |
| HGS   | 17     | NC        | NC                    | D-2                    | [E-1]                 |                      |                              |
| LTS   | 18     | NC        | NC                    | D-2                    | [E-1]                 |                      |                              |
| GND   | 19, 20 |           |                       |                        |                       |                      |                              |
| HSWS  | 21     | NC        | [C-7]                 |                        | E-2                   | F-3                  | F-3                          |
| HSWM  | 22     | NC        | [C-7]                 | D-4                    |                       |                      |                              |
| GND   | 23, 24 |           |                       |                        |                       |                      |                              |
| HSCS  | 25     | NC        | [C-6]                 |                        | E-1                   | F-3                  | F-3                          |
| HSCM  | 26     | NC        | [C-6]                 | D-1                    |                       |                      |                              |
| GND   | 27, 28 |           |                       |                        |                       |                      |                              |
| LDS   | 29     | NC        | C-3                   |                        | [E-1]                 | [F-2]                | C-3                          |
| LDM   | 30     | NC        | C-3                   | [D-1]                  |                       |                      | C-3                          |
| LCS   | 31     | NC        | C-3                   |                        | [E-1]                 | [F-2]                | C-3                          |
| LCM   | 32     | NC        | C-3                   | [D-1]                  |                       |                      | C-3                          |
| LBS   | 33     | NC        | C-3                   |                        | [E-1]                 | [F-2]                | C-3                          |
| LBM   | 34     | NC        | C-3                   | [D-1]                  |                       |                      | C-3                          |
| LAS   | 35     | NC        | C-3                   |                        | [E-1]                 | [F-2]                | C-3                          |
| LAM   | 36     | NC        | C-3                   | [D-1]                  |                       |                      | C-3                          |
| GND   | 37, 38 |           |                       |                        |                       |                      |                              |
| LSTP  | 39     | NC        | NC                    | [D-4]                  | E-2                   |                      |                              |
| HSQ3  | 40     | B-1       | [C-4]                 |                        |                       |                      | 1-3, 3-2                     |
| GND   | 41, 42 |           |                       |                        |                       |                      |                              |
| LTCK  | 43     | [B-1]     |                       | [D-3]                  | E-2                   |                      | 1-5, 3-4                     |
| HTCK  | 44     | [B-1]     |                       | [D-3]                  | E-2                   |                      | 1-4, 3-3                     |
| GND   | 45, 46 |           |                       |                        |                       |                      |                              |
| HACK  | 47     | [B-1]     |                       | [D-3]                  |                       | F-3                  | 1-7, 3-6                     |
| LACK  | 48     | [B-1]     |                       | [D-3]                  |                       | F-3                  | 1-6, 3-5                     |
| GND   | 49, 50 |           |                       |                        |                       |                      |                              |

- NOTES: 1) ALL PINS OF CONNECTORS J1 (SERVICE CONNECTOR), AND J3 THRU J6 ARE BUSED TOGETHER, WITH THE EXCEPTION OF THOSE MARKED "NC".
- 2) X-X (LETTER-NUMBER) INDICATES THE SECTION (BOARD) AND SCHEMATIC THAT A SIGNAL IS FOUND, WITH [ ] INDICATING THE SOURCE OF THE SIGNAL.
- 3) TERMINATION LOCATION SHOWS WHERE A SIGNAL IS PULLED LOW (ECL) WITH X-X (LETTER-#) GIVING SCHEMATIC AND (#-#) GIVING MOTHERBOARD RP# AND PIN#.

Table 8A-3. Motherboard Connections & Signal Distribution (cont.).

| SIGNAL   | PIN     | CPU<br>J6 | STATE<br>MASTER<br>J5 | TIMING<br>MASTER<br>J4 | TIMING<br>SLAVE<br>J3 | STATE<br>SLAVE<br>J3 | TERM<br>LOCATION<br>(NOTE 3) |
|----------|---------|-----------|-----------------------|------------------------|-----------------------|----------------------|------------------------------|
| HD7      | 51      | [B-2]     | C-8                   | D-5                    | E-2                   | F-5                  | B-2                          |
| HD6      | 52      | ↑         | ↑                     | ↑                      | ↑                     | ↑                    | ↑                            |
| HD5      | 53      | ↑         | ↑                     | ↑                      | ↑                     | ↑                    | ↑                            |
| HD4      | 54      | ↑         | ↑                     | ↑                      | ↑                     | ↑                    | ↑                            |
| HD3      | 55      | ↑         | ↑                     | ↑                      | ↑                     | ↑                    | ↑                            |
| HD2      | 56      | ↑         | ↑                     | ↑                      | ↑                     | ↑                    | ↑                            |
| HD1      | 57      | ↓         | ↓                     | ↓                      | ↓                     | ↓                    | ↓                            |
| HD0      | 58      | [B-2]     | C-8                   | D-5                    | E-2                   | F-5                  | B-2                          |
| GND      | 59, 60  |           |                       |                        |                       |                      |                              |
| HA5      | 61      | [B-2]     | C-8                   | D-5                    | E-2                   | F-5                  | B-2                          |
| HA4      | 62      | ↑         | ↑                     | ↑                      | ↑                     | ↑                    | ↑                            |
| HA3      | 63      | ↑         | ↑                     | ↑                      | ↑                     | ↑                    | ↑                            |
| HA2      | 64      | ↑         | ↑                     | ↑                      | ↑                     | ↑                    | ↑                            |
| HA1      | 65      | ↓         | ↓                     | ↓                      | ↓                     | ↓                    | ↓                            |
| HA0      | 66      | [B-2]     | C-8                   | D-5                    | E-2                   | F-5                  | B-2                          |
| HR/LW    | 67      | [B-2]     | C-8                   | D-5                    | E-2                   |                      |                              |
| NOT USED | 68      |           |                       |                        |                       |                      |                              |
| GND      | 69, 70  |           |                       |                        |                       |                      |                              |
| NOT USED | 71      |           |                       |                        |                       |                      |                              |
| NOT USED | 72      |           |                       |                        |                       |                      |                              |
| +15      | 73      | B-1       |                       |                        |                       |                      |                              |
| +15      | 74      | B-1       |                       |                        |                       |                      |                              |
| +12      | 75      | B-1       |                       |                        |                       | F-4                  |                              |
| +12      | 76      | B-1       |                       |                        |                       | F-4                  |                              |
| -12      | 77      | B-1       |                       |                        |                       | F-4                  |                              |
| -12      | 78      | B-1       |                       |                        |                       | F-4                  |                              |
| GND      | 79, 80  |           |                       |                        |                       |                      |                              |
| LSTB     | 81      | [B-2]     | C-8                   | D-5                    | E-2                   | F-3                  | 2-5, 4-3                     |
| LMCI     | 82      | B-6       | [C-4]                 | [D-2]                  |                       |                      | 2-6, 4-2                     |
| GND      | 83, 84  |           |                       |                        |                       |                      |                              |
| HARM     | 85      |           | C-4                   | D-1                    |                       |                      | 2-2, 4-5                     |
| HBNC     | 86      | B-7       | [C-4]                 | [D-2]                  |                       |                      | 2-3, 4-4                     |
| GND      | 87, 88  |           |                       |                        |                       |                      |                              |
| +5       | 89, 90  | B-1       | C-8                   | D-5                    | E-1                   | F-4                  |                              |
| +5       | 91, 92  | ↑         | ↑                     | ↑                      | ↑                     | ↑                    |                              |
| -2.4     | 93, 94  | ↑         | ↑                     | ↑                      | ↑                     | ↑                    |                              |
| -5.2     | 95, 96  | ↓         | ↓                     | ↓                      | ↓                     | ↓                    |                              |
| -5.2     | 97, 98  | ↓         | ↓                     | ↓                      | ↓                     | ↓                    |                              |
| -5.2     | 99, 100 | B-1       | C-8                   | D-5                    | E-1                   | F-4                  |                              |

- NOTES: 1) ALL PINS OF CONNECTORS J1 (SERVICE CONNECTOR), AND J3 THRU J6 ARE BUSED TOGETHER, WITH THE EXCEPTION OF THOSE MARKED "NC".
- 2) X-X (LETTER-NUMBER) INDICATES THE SECTION (BOARD) AND SCHEMATIC THAT A SIGNAL IS FOUND, WITH [ ] INDICATING THE SOURCE OF THE SIGNAL.
- 3) TERMINATION LOCATION SHOWS WHERE A SIGNAL IS PULLED LOW (ECL) WITH X-X (LETTER-#) GIVING SCHEMATIC AND (#-#) GIVING MOTHERBOARD RP# AND PIN#.

## Service Group 8B Table of Contents

| Paragraph |   | Page  |
|-----------|---|-------|
| 8B-1.     | Introduction . . . . .                                    | 8B-1  |
| 8B-2.     | Block Diagram Theory . . . . .                            | 8B-1  |
| 8B-3.     | Theory of Operation . . . . .                             | 8B-7  |
| 8B-4.     | Control Timing . . . . .                                  | 8B-7  |
| 8B-5.     | System Timing Controller . . . . .                        | 8B-7  |
| 8B-6.     | Control Latches . . . . .                                 | 8B-8  |
| 8B-7.     | Microprocessing Circuitry . . . . .                       | 8B-9  |
| 8B-8.     | MPU Operation . . . . .                                   | 8B-9  |
| 8B-9.     | MMU Operation . . . . .                                   | 8B-11 |
| 8B-10.    | Power Up-Master Reset . . . . .                           | 8B-11 |
| 8B-11.    | Acquisition Interface . . . . .                           | 8B-12 |
| 8B-12.    | Acquisition Addressing . . . . .                          | 8B-12 |
| 8B-13.    | Acquisition Data . . . . .                                | 8B-12 |
| 8B-14.    | Full-Field Scanning Generation and Graphics MUX . . . . . | 8B-14 |
| 8B-15.    | Scanning . . . . .  | 8B-14 |
| 8B-16.    | Graphics MUX . . . . .                                    | 8B-14 |
| 8B-17.    | Waveform Formatter . . . . .                              | 8B-15 |
| 8B-18.    | ROM and ROM Selection . . . . .                           | 8B-15 |
| 8B-19.    | RAM Timing Control and RAMs . . . . .                     | 8B-16 |
| 8B-20.    | RAM Timing Control . . . . .                              | 8B-16 |
| 8B-21.    | RAM . . . . .   | 8B-16 |
| 8B-22.    | CRT Control . . . . .                                     | 8B-16 |
| 8B-23.    | CRT Controller (CRTC) Operation . . . . .                 | 8B-17 |
| 8B-24.    | CRTC Interfacing . . . . .                                | 8B-17 |
| 8B-25.    | Horizontal and Vertical Sync . . . . .                    | 8B-17 |
| 8B-26.    | Display Enable and Cursor Outputs . . . . .               | 8B-17 |
| 8B-27.    | RAM Addressing . . . . .                                  | 8B-18 |
| 8B-28.    | Raster Addresses . . . . .                                | 8B-18 |
| 8B-29.    | Character Generation . . . . .                            | 8B-18 |
| 8B-30.    | Character ROM . . . . .                                   | 8B-18 |
| 8B-31.    | Display Data Shift Register . . . . .                     | 8B-18 |
| 8B-32.    | Graphics Output Buffer . . . . .                          | 8B-19 |
| 8B-33.    | Display Data Latches . . . . .                            | 8B-19 |
| 8B-34.    | Display Control . . . . .                                 | 8B-19 |
| 8B-35.    | I/O Decoding . . . . .                                    | 8B-23 |

## Service Group 8B Table of Contents (Cont'd)

| Paragraph  | Page  |
|--|-------|
| 8B-36. Macro I/O Decoding . . . . .  | 8B-23 |
| 8B-37. Micro I/O Decoding . . . . .  | 8B-24 |
| 8B-38. Interrupt Processing . . . . .                                      | 8B-24 |
| 8B-39. HP-Interface Bus (HP-IB) Circuitry . . . . .                        | 8B-25 |
| 8B-40. MPU to HP-IB Interface . . . . .                                    | 8B-25 |
| 8B-41. HP-IB Interface Lines and Operations. . . . .                       | 8B-25 |
| 8B-42. HP-IB Transceivers . . . . .  | 8B-26 |
| 8B-43. System Status Switches. . . . .                                     | 8B-28 |
| 8B-44. BNC Outputs . . . . .   | 8B-28 |
| 8B-45. HP-Interface Loop (HP-IL) Circuitry. . . . .                        | 8B-29 |
| 8B-46. General Information. . . . .  | 8B-29 |
| 8B-47. MPU to HP-IL Interface . . . . .                                    | 8B-29 |
| 8B-48. HP-IL Interface Lines and Operations. . . . .                       | 8B-30 |
| 8B-49. Probe Reference Voltage Adjust. . . . .                             | 8B-30 |
| 8B-50. Probe Threshold Selection . . . . .                                 | 8B-30 |
| 8B-51. Additional Information . . . . .                                    | 8B-30 |
| 8B-52. Keyboard Scanning . . . . .   | 8B-31 |
| 8B-53. MPU to Keyboard Controller Interface . . . . .                      | 8B-31 |
| 8B-54. Keyboard Scan Operations . . . . .                                  | 8B-31 |
| 8B-55. Keyboard Switch Pad . . . . .                                       | 8B-32 |
| 8B-56. Display System Operation Verification and Troubleshooting . . . . . | 8B-33 |
| 8B-57. Mnemonics. . . . .  | 8B-37 |

## List of Illustrations

| Figure |  | Page  |
|--------|--|-------|
| 8B-1.  | CPU Block Diagram . . . . .  | 8B-5  |
| 8B-2.  | Acquisition Write Timing Waveforms . . . . .                           | 8B-12 |
| 8B-3.  | Acquisition Read Timing Waveforms . . . . .                            | 8B-13 |
| 8B-4.  | A Typical 9 x 16 Dot Pattern for a Character . . . . .                 | 8B-19 |
| 8B-5.  | Display Character Area . . . . .                                       | 8B-20 |
| 8B-6.  | Display Timing Waveforms for One MPU Cycle . . . . .                   | 8B-21 |
| 8B-7.  | RAM Timing Waveforms for One MPU Cycle . . . . .                       | 8B-22 |
| 8B-8.  | HP-IB Signal Lines . . . . .   | 8B-27 |
| 8B-9.  | HP-IB Handshake Timing for One Talker and Multiple Listeners . . . . . | 8B-27 |
| 8B-10. | Keyboard Switch to Sensor Matrix Address Locations . . . . .           | 8B-32 |
| 8B-11. | CPU Board Component Locator . . . . .                                  | 8B-42 |
| 8B-12. | CPU Schematics . . . . .   | 8B-43 |

## List of Tables

| Table |   | Page  |
|-------|---|-------|
| 8B-1. | Control Latch Bit Assignments . . . . .               | 8B-8  |
| 8B-2. | Physical Address-to-Function Allocation . . . . .     | 8B-10 |
| 8B-3. | Macro I/O Physical Address-to-Function . . . . .      | 8B-23 |
| 8B-4. | Micro I/O Physical Address-to-Function . . . . .      | 8B-24 |
| 8B-5. | CPU to Display Driver Cable Pin Assignments . . . . . | 8B-33 |
| 8B-6. | Applicable Electrical Specifications . . . . .        | 8B-34 |
| 8B-7. | Typical Operating Voltages for the CRT . . . . .      | 8B-36 |
| 8B-8. | Mnemonics . . . . .                                   | 8B-37 |



# SERVICE GROUP 8B

## CPU, KEYBOARD, AND DISPLAY

### 8B-1. INTRODUCTION

This service group contains block and component level theory, service and troubleshooting information necessary to service the CPU and keyboard. Service group 8B is separated into two sections; theory and troubleshooting.

The Display System used by the 1630A/D/G is an OEM assembly and is not serviced by HP. The Display Driver, yoke, and CRT are each given a separate HP part number and should be ordered that way. The DISPLAY SYSTEM OPERATION VERIFICATION AND TROUBLESHOOTING section of this Service Group will aid the service person in determining whether or not the Display System or the CPU system is failing.

Note, the terms MPU and processor will be used throughout this manual in reference to the MC68B09E MICROPROCESSOR used on the CPU board.

### 8B-2. BLOCK DIAGRAM THEORY (see Figure 8B-1)

The block theory for service group 8B is focused at the CPU board because the control circuitry for the keyboard and display board is located on the CPU board. The order in which each block is described is also the order that each block is functionally described in the detailed theory of operation.

**CONTROL TIMING.** The control timing section provides the CPU board with fifteen timing waveforms. Each waveform and its complement has a frequency of 1.27 MHz and the delay between each adjacent phase group is 50 nS. For example PH1N and PH1 lead PH2N and PH2 by 50 nS.

**SYSTEM TIMING CONTROLLER.** The system timing controller (STC) is a processor programmable timer. It also provides a 2 MHz clock for the HP-IL controller, synchronization for a real-time clock, measurement time for the acquisition system, and a signal source for an audio feedback speaker.

**CONTROL LATCHES.** The processor uses these latches to control and/or enable eleven functions on the CPU board.

**MICROPROCESSOR UNIT (MPU).** The processor uses the 8-bit bi-directional data bus HDRW0-7 to communicate with and control devices in this system. Addresses A11-15 are used to select tasks from the Memory Management Unit (MMU). Physical Addresses 0-10 (HPA0-10) combine with addresses HPA11-20 from the MMU to form the Physical Address bus. Clocking of the MPU E and Q clock inputs is provided by the Control Timing Section.

**MEMORY MANAGEMENT UNIT (MMU).** Expanding the 64K addressable space of the processor, write protection, mapping and allocation of memory are some of the functions of the MMU. The MMU, controlled by the processor, outputs the Physical Addresses 11-20.

**ACQUISITION ADDRESS INTERFACE.** The processor uses this block to convert TTL logic address and control information into ECL logic for the all-ECL acquisition boards.

**ACQUISITION DATA INTERFACE.** In order for the processor to send data to or from the ECL logic acquisition boards, the data must be converted from TTL-to-ECL, or from ECL-to-TTL. This block also forms the 8-bit write only data bus labeled HDWO-7.

**POWER UP MASTER RESET.** The purpose of this block is to keep certain key devices on the CPU board OFF while the power supply is turning ON. Different reset logic levels are provided.

**FULL-FIELD SCANNING GENERATION AND GRAPHICS MUX.** This block provides the X and Y scanning information for RAM when graphics information is required in the full-field graphics area of the display. Also, RAM refresh is provided during retrace.

**WAVEFORM FORMATTER.** The purpose of the Waveform Formatter circuitry is to sample state and/or timing data and convert it into waveform information. The data is sampled for a high or low level, an edge, or a glitch. The information or symbols that make a waveform are then displayed in the full-field graphics area via RAM and the graphics buffer.

**ROM AND ROM SELECTION.** The eight 8K word x 8 bit ROMs used by this system are each selected by an addressable 1 of 8 demultiplexer.

**MPU ADDRESS MULTIPLEXER.** This block multiplexes the first 16 Physical Addresses into 8 RAM address lines HRAA0-7. This allows the processor to address RAM during the proper processor cycle.

**RAM TIMING CONTROL.** This block generates the timing signals (LCAS and LRAS) necessary to read and write from RAM. The Address Multiplexer Select (AMS) signal allows one group of devices, either MPU, graphics, or CRT controller, to address RAM at a given time. Also generated is a 20 MHz clock used to clock control timing, the display data shift register and display data latches.

**RAM.** The CPU board uses eight 64K word x 1 bit dynamic RAMs. RAM is addressed by three groups of devices (MPU, Graphics, or CRT) during a processor cycle time. The data from the eight RAM data lines (HRAD0-7) is used by the CRT Controller (CRTC), Character ROM, and graphics buffer.

**CRT CONTROLLER (CRTC) AND CRT CONTROL MUX.** The CRTC is the interface between the Display System and the processor. Controlling CRT scanning, retrace execution, and cursor positioning are some of the functions of the CRTC. Like the MPU, and the full-field scanning generator the CRTC is only allowed to address RAM at the proper time in a processor cycle. This is determined by the ON time of the CRT control multiplexers.

**CHARACTER ROM.** The Character ROM converts the ASCII code for a given character into the 9 x 16 dot pattern used by this system to display characters. The data output is loaded into the display data shift register where it is serialized and sent to the display.

**DISPLAY DATA SHIFT REGISTER AND DISPLAY DATA LATCHES.** This block takes parallel display information from the character ROM and the graphics buffer. The information is converted into a serial data stream and mixed with cursor and video brightness information. This data is then captured by the display data latches and supplied as video information to the display driver.

**GRAPHICS OUTPUT BUFFER.** The graphics output buffer routes graphics information from the waveform formatter (via RAM) into the display data shift register. When scanning of the full-field graphics area is occurring this circuit will be ON and the character ROM will be OFF.



**DISPLAY CONTROL.** Video brightness, cursor timing, and enabling and disabling of the character ROM and graphics output buffer are the functions of this block.

**I/O DECODING.** Input/output operations function in two separate levels according the amount of memory reserved to execute an I/O operation; these are macro and micro. A macro operation reserves thirty-two Physical Addresses to execute an I/O operation and a micro operation reserves two or less Physical Addresses. This circuit controls read and write operations of I/O devices.

**INTERRUPT PROCESSING.** This circuitry is responsible for sampling and masking interrupts. The status of all interrupting devices is available to the processor. The processor sets the priority of each interrupt, masks out lower priority interrupts, and services the interrupt with the highest priority. The priority and masking of each interrupt is determined by firmware.

**HP-IB AND SYSTEM STATUS SWITCHES.** Communication between separate systems is done over a high speed communications link called HP-IB. The Hewlett-Packard Interface Bus requires a device address, and a talk-only or a controlled status on the bus. The status is determined by the settings of the system status switches.

**BNC OUTPUTS.** Two BNC ports are provided for the user. The BNC labeled PORT supplies one of seven signals from the acquisition system on a multiplexed basis. The other labeled ACCESSORY POWER is a regulated +5 volt supply for use by a preprocessor option.

**HP-IL.** The Hewlett-Packard Interface Loop is used as a low speed form of communication between separate systems. Whether the 1630A/D/G is HP-IL controlled or not is determined by the settings of the system status switches.

**PROBE REFERENCE VOLTAGE ADJUST.** User data can be sampled at voltage levels ranging from plus to minus 9.9 volts. This block adjusts the comparator switching point (threshold) of each probe hybrid chip so that data is sampled at the specified voltage threshold. The return ground sense lines adjust the threshold level so that data is sampled with respect to the ground level of the user's system. The processor adjusts the probe reference voltages via the keyboard controller.

**KEYBOARD CONTROLLER.** Scanning the keyboard and controlling probe reference voltage adjustments is the function of this block. The keyboard controller scans each row and column of the keyboard for a closed switch. When a closed switch is found the processor is sent an interrupt request.

**KEYBOARD SWITCH PAD.** The keyboard is a switch pad consisting of 38 keys, or switches, wired in a 6 x 8 row/column matrix.

**NOTES**

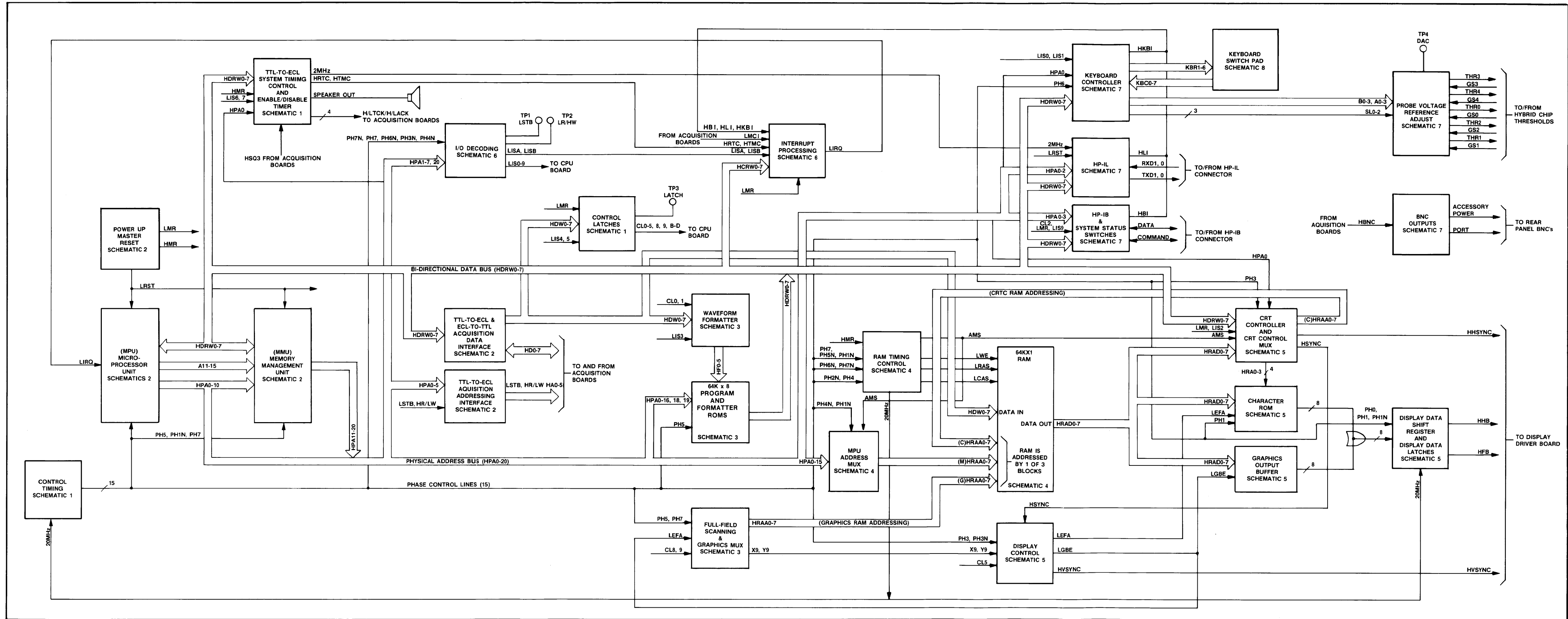


Figure 8B-1. CPU Block Diagram  
8B-5

### 8B-3. THEORY OF OPERATION

The Theory of Operation for this Service Group pertains to the CPU, which includes the interfacing of the keyboard and Display System to the CPU. Refer to the schematic referenced by the secondary heading while reading the Theory of Operation. The theory will begin with the circuitry drawn on the first CPU schematic and continue contiguously to the last.

### 8B-4. Control Timing (see schematic 8B-1)

The circuit configuration of U7F and U8F is that of an 8-bit twisted-ring shift register. This circuit operates as follows: eight ones and then eight zeros are shifted through the register by a 20 MHz clock. The Q output of each phase is the input for the next phase, thus the output of PH0 is the input of PH1, PH1's output feeds PH2...and PH7N's output feeds back to the PH0 input. Each phase and it's complement are used to control various operations on the CPU board. The frequency of each phase is 1.27 MHz and the delay between adjacent phases is 50 nS. U2D forces this circuit to power up in a twisted-ring configuration.

### 8B-5. System Timing Controller (see schematic 8B-1)

U6M, a System Timing Controller (STC) chip, is a programmable timer that is configured in the 8-bit mode for reading and writing with the processor. The STC provides the 1630 with a 2 MHz clock for HP-IL, interrupt for a real-time clock, a timing measurement clock for the timing board, and a signal source for the piezoelectric speaker LS1.

UY6Q is an external 4 MHz TTL oscillator that drives the STC. FOUT is a continuous 2 MHz clock used by the HP-IL chip. OUT1 is a 20 mS variable width pulse (HRTC) that the processor synchronizes on for the real-time clock display.

The enable/disable timer circuit provides the time count from the first enable to the first disable of a measurement. An interrupt to the processor is generated at the time of the first disable. The time reference is a 32-bit binary counter clocked at 4 MHz by UY6Q.

The operation of the enable/disable timer circuit occurs as follows: Prior to a timing measurement, HSQ3 and LIS8 are low making the G2 and G2A inputs of U6M high. This in turn disables U6M, allowing the MPU to configure U6M and enable the control latch output CL3 of U6P. When the processor is ready, HSQ3 and LIS8 are pulled high making G2 and G2A of U6M low enabling the STC output OUT4 to be ON for the desired measurement time. When a measurement is complete, HSQ3 and LIS8 are pulled low disabling U6M. Then HTMC, an interrupt request, is sent to the processor via the interrupt processing circuit to indicate a measurement was completed. The processor will then interrogate the STC to determine the time it took for a measurement.

U7M is a TTL-to-ECL translator and U9M is an ECL NOR gate. Note, all of the parts on the acquisition boards are high speed emitter-coupled logic (ECL) parts.

## 8B-6. Control Latches (see schematic 8B-1)

The processor loads control information into U6P and/or U6O with data from the HDW0-7 bus and clocks the desired part via LIS4 and/or LIS5. The resultant outputs are then used to control various system functions. Each control latch bit assignment is given in table 8B-1.

*Table 8B-1. Control Latch Bit Assignments*

| Data Bit | Bit Name | Logic Level | Function   |
|----------|----------|-------------|--|
| HDW0     | CL0 U6P  | L           | Enables MPU to address ROM 0 instead of W Formatter. |
| HDW1     | CL1 U6P  | H           | Enables W Formatter to address ROM 0 instead of MPU. |
| HDW2     | CL2 U6P  | H           | Allows 1630 to be an HP-IB controller.               |
| HDW3     | CL3 U6P  | H           | Enables MPU to drive low speed timing sample clock.  |
| HDW4     | CL4 U6P  | H           | Not Used   |
| HDW5     | CL5 U6P  | H           | Enables graphics display area.                       |
| HDW6     | CL6 U6P  | X           | Spare  |
| HDW7     | CL7 U6P  | X           | Spare  |
| HDW0     | CL8 U6O  | *           | Graphics Page LSB                                    |
| HDW1     | CL9 U6O  | *           | Graphics Page MSB                                    |
| HDW2     | CLA U6O  | X           | Spare  |
| HDW3     | CLB U6O  | H           | Enables HVSYNCR (Delays HVSYNCR until CRT is loaded) |
| HDW4     | CLC U6O  | **          | CRT controller (CRTC) page LSB                       |
| HDW5     | CLD U6O  | **          | CRT controller (CRTC) page MSB                       |
| HDW6     | CLE U6O  | X           | Spare  |
| HDW7     | CLF U6O  | H/L         | Used for signature analysis LATCH test point.        |

\* or \*\* - The combination of these two lines determine which 16K byte segment of 64K bytes of RAM is displayed.

| MSB | LSB | kilo byte segment |
|-----|-----|-------------------|
| 0   | 0   | 0-16              |
| 0   | 1   | 16-32             |
| 1   | 0   | 32-48             |
| 1   | 1   | 48-64             |

## 8B-7. Microprocessing Circuitry (see schematic 8B-2)

The processor used by the 1630 Analyzer is a MC68B09E microprocessor unit (MPU). The MPU is an 8-bit processor capable of addressing 64K bytes of memory. However, along with the MC68B29 Memory Management Unit (MMU), another 64K bytes of memory is addressable. Table 8B-2 is the Physical Address-to-function allocation (memory map).

**8B-8. MPU OPERATION.** The MPU U6I communicates and controls the system via an 8-bit bi-directional data bus HDRW0-7. The processor addresses the system via 16 output lines. The first 8 address lines (A0-7) are latched by U6J to provide hold considerations and buffering for these lines. The next 3 lines (A8-10) are buffered by P/O U5J. The remaining 5 address lines from U6J are then used as the 7 register select lines (RS0-6) for the MMU U6L. HPA7-10 are also used to address ROM, RAM, and I/O.

The clock inputs to the MPU are Q and E. The 1.27 MHz quadrature clock Q leads the E clock by approximately 200 nS. These clocks are also used by the MMU for synchronization.

The read/write output indicates the direction in which data is being transferred on the HDRW0-7 data bus. When this line is high, data is being read on the bus. When the read/write output is low, the MPU is writing to the bus.

The Bus Available (BA) and Bus Status (BS) outputs from the MPU provide the MMU with information about the class of bus operation for each cycle. The following is the MPU state truth table for the BA, BS outputs:

| BA | BS | Definition of MPU States                    |
|----|----|---|
| 0  | 0  | Normal Running Mode                         |
| 0  | 1  | Interrupt Acknowledge (LRST or LIRQ)        |
| 1  | 0  | SYNC Acknowledge (not used by the 1630A/D)  |
| 1  | 1  | HALT or Bus Grant (not used by the 1630A/D) |

The NMI, FIRQ, and HALT interrupt inputs to the processor are not used. However, the Interrupt Request line (LIRQ) to the processor is. When an interrupt is detected in the interrupt mask circuitry, the LIRQ line is pulled low. With LIRQ low, the processor then initiates an interrupt sequence, provided the condition code register mask bit (I) is clear.

The LRST input to the processor, when asserted low, will RESET the processor until the LRST line is high. Note, the processor will execute the present bus cycle before going to a RESET state.

*Table 8B-2. Physical Address-to-Function Allocation*

| Physical Address | Function |
|------------------|----------|
| 000000H          | Not Used |
| 05FFFFH          |          |
| 060000H          | I/O      |
| 07FFFFH          |          |
| 080000H          | Not Used |
| 11FFFFH          |          |
| 120000H          | ROM      |
| 13FFFFH          |          |
| 140000H          | RAM      |
| 15FFFFH          |          |
| 160000H          | Not Used |
| 1FF7FFH          |          |
| 1FF800H          | ROM      |
| 1FFEFFH          |          |
| 1FFF00H          | MMU      |
| 1FFF7FH          |          |
| 1FFF80H          | ROM      |
| 1FFFFFH          |          |

**8B-9. MMU OPERATION.** The Memory Management Unit (MMU) U6L is used to expand the 64K byte addressable space of the processor. Expansion is done by applying the upper five address lines from the processor (A11-15), along with the contents of a 5-bit task register, to an internal mapping RAM. The MMU outputs ten Physical Address lines (PA11-20) which are combined with HPA0-10 from the processor to form the address bus HPA0-20.

The bi-directional data bus HDRW0-7 is used when the MMU registers are written to or read from. The register and byte of information to be selected is determined by RS0-6. Furthermore, the location of the MMU registers is determined by a low on the Register Access (RA) line, providing the current task number is zero and A11-15 are all ones.

Clocking and resetting of the MMU is synchronous with the processor via the E, Q, and reset inputs. Also, the processor determines read/write status of the MMU via the Low Write/High Read (LW/HR) input.

### **8B-10. Power-Up Master Reset** (see schematic 8B-2)

The purpose of this circuit is to keep some key circuitry on the CPU board OFF while the power supply is turning ON. Upon power up U7P pin 5 is at essentially zero volts and charging through R17, 19 and C26, whereas U7P pin 4 is at or near 4.55 volts. This keeps U7P pin 2 and 1 low, holding the reset mode ON. When U7P pin 5 exceeds 4.75 volts, pin 2 will go high, charging C35 for 10 mS. As the voltage on U7P pin 7 exceeds the voltage on pin 6, pin 1 will go high thus removing the reset mode.

The Low Reset line (LRST) is for MOS devices requiring a higher set voltage. The High/Low Master Reset (HMR, LMR) lines are used for other devices requiring a certain reset level. Note that all clocks are turned OFF until the reset mode is removed.



### 8B-11. Acquisition Interface (see schematic 8B-2)

**8B-12. ACQUISITION ADDRESSING.** U9I and U9J are TTL-to-ECL translators that convert the HPA0-5, LSTB and HR/LW signals to ECL logic levels. This allows the processor to address and control circuitry on the ECL acquisition boards.

**8B-13. ACQUISITION DATA.** The processor communicates with the acquisition system via a bi-directional data bus HD0-7. A data read occurs when: there is a high on the High Read/Low Write line (HR/LW), a Low Strobe (LSTB) occurs, and the Enable Data Transfer line (ENDT) is asserted low. With these qualifications met, converted data (ECL-to-TTL) from U8K and U9K, seen at the inputs to U7K, is then read onto the bi-directional data bus HDRW0-7. The processor will do a data write when: there is a low on the HR/LW line, LSTB is asserted, and ENDT is low. Write data is then seen on the outputs of U7L (HDW0-7). This information is then converted to ECL levels by U8L and U9L and used on the acquisition boards. See figure 8B-2 and 8B-3 for the timing waveforms between the acquisition system and the MPU during read/write operations.

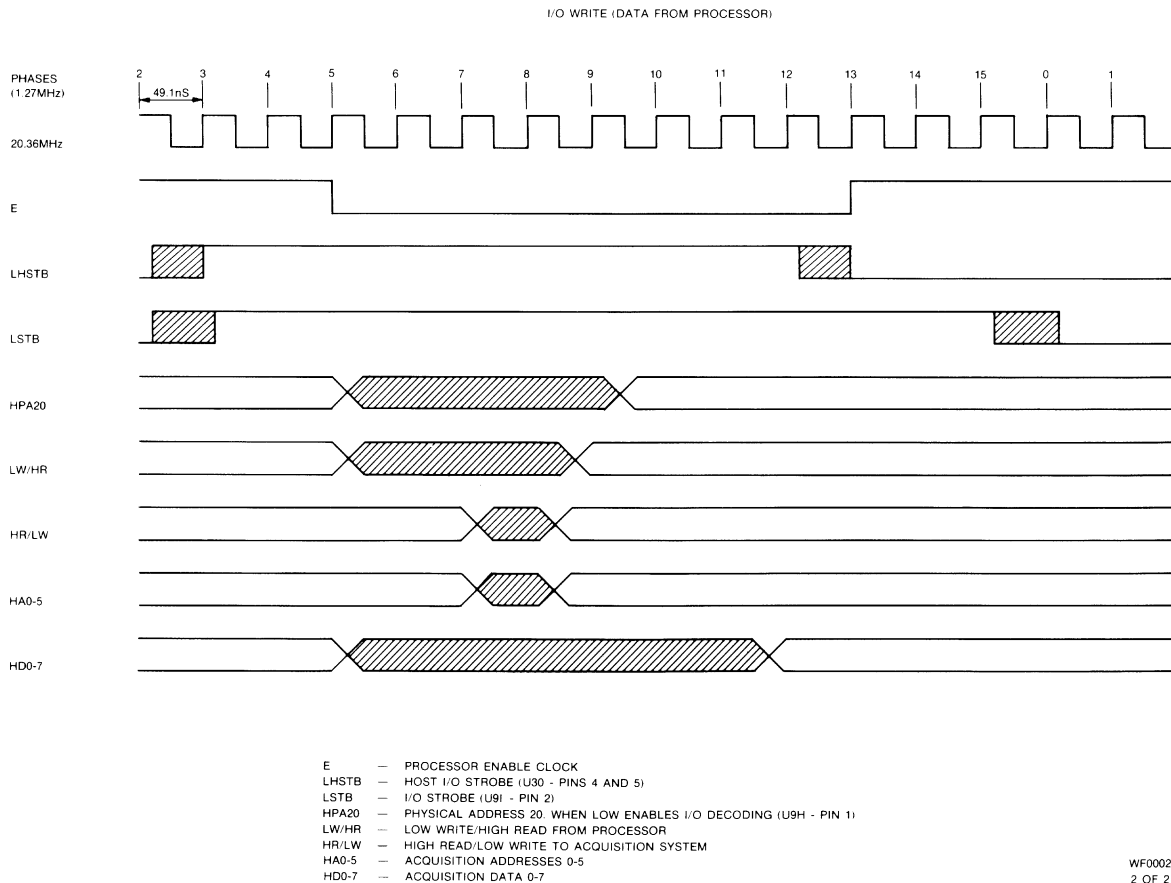


Figure 8B-2. Acquisition Write Timing Waveforms

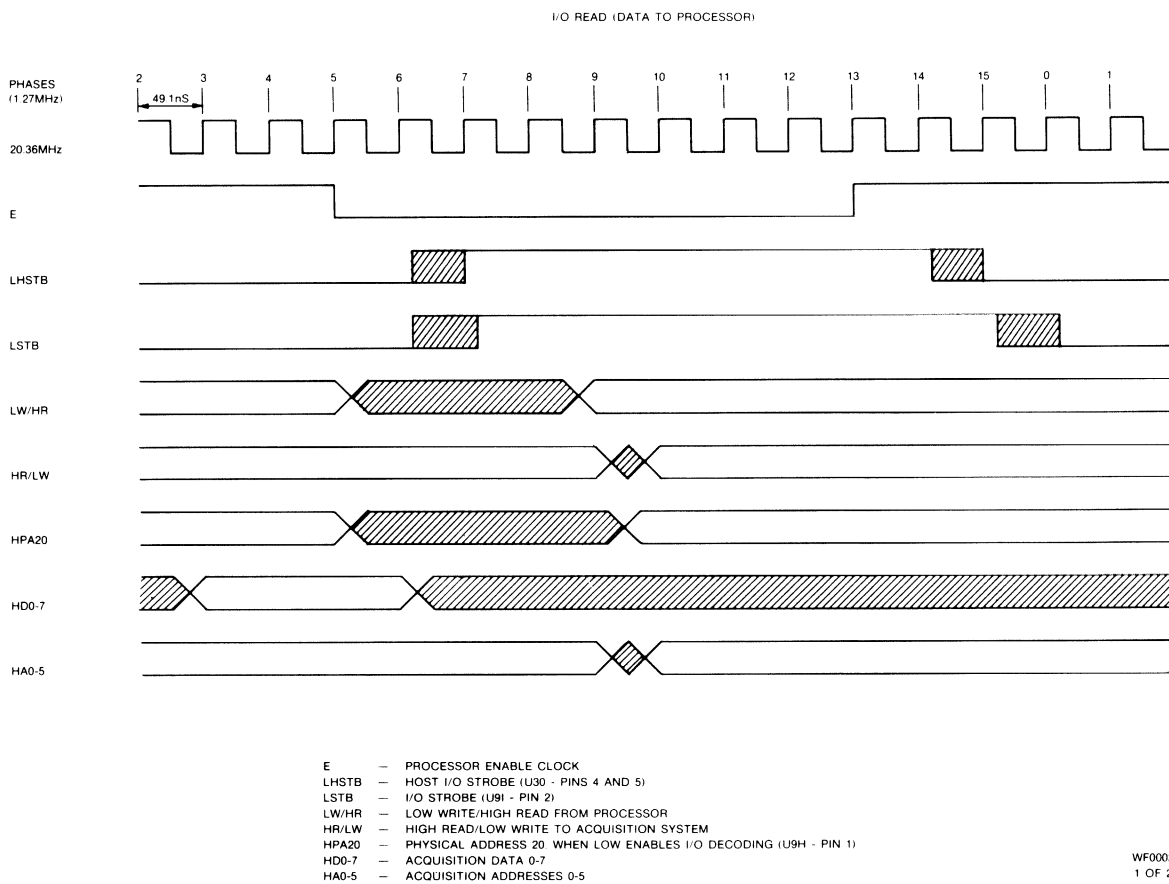


Figure 8B-3. Acquisition Read Timing Waveforms

## 8B-14. Full-field Scanning Generation and Graphics MUX (see schematic 8B-3)

The full-field scanning generator provides scanning information necessary to display graphics in the 16K bit graphics area shown in figure 8B-5. Display timing waveforms are given in figure 8B-6.

**8B-15. SCANNING.** Scanning of the full-field graphics display area is done five binary counters (U3F-A,B, U4F-A,B, and U4G) that are cascaded together in a ripple carry configuration. U3F is the high speed Y counter that provides the vertical sweep speed and character frequency of 1.27 MHz (PH5), whereas U4F and U4G form the slow speed X counter that produces the horizontal frame frequency of 60 Hz.

Y counter U3F is cleared by HCY (the decoded display enable (DE) output of the CRT controller) at the end of a line (every 27.5  $\mu$ S). The Y8 output, pin 11 of U3F-B, indicates the end of a line and is also used to clock U7A-A.

The X counter U4F is cleared by HCX at the end of a frame, as indicated by the X9 output from U4G. The load X counter (LLX) input to U4G is used to load 07 hex into the counter while low, and count from 07 hex when high. The LLX line is the complement of the high clear X counter (HCX) line.

**8B-16. GRAPHICS MUX.** The multiplexers, U6F and U5F, are used to generate RAM addresses while in the graphics mode and provide RAM refresh during retrace. These devices are enabled by a low level on the low enable full-field display line (LEFD). The input that is selected is determined by the logic level of the address MUX select line (AMS).

The combination of the CL9 and CL8 inputs to U6F determine which 16K byte segment of 64K bytes of RAM is displayed as shown below:

| CL8 | CL9 | kilo byte segment |
|-----|-----|-------------------|
| 0   | 0   | 0-16              |
| 0   | 1   | 16-32             |
| 1   | 0   | 32-48             |
| 1   | 1   | 48-64             |

## **8B-17. Waveform Formatter** (see schematic 8B-3)

Basically, the Waveform Formatter (Formatter) is responsible for taking state and/or timing waveform information from the acquisition system and generating waveform display symbols. The hardware portion of the Formatter generates addresses that are referenced to fourteen, 256-byte look-up tables in the Formatter ROM. The Formatter ROM then outputs the proper waveform display symbol either a high or low level, an edge, or a glitch. The Formatter is used to increase the waveform display update rate.

When a waveform display is requested by the user, the processor clocks acquisition data stored in RAM into data latches U5D, U5P and U5Q. The processor then enables multiplexers U4O, U4P, and U4Q with control latch line CL1; at the same time disabling U3N (via CL0) allowing the Waveform Formatter to address the Formatter ROM, U3K. Then, according to: the users choice of magnification (X1, X2, or X>2); number of channels to be processed; glitch or no glitch; the processor will address a look-up table stored in U3K, and set the multiplexers to mask out the non-effective bits. The look-up table chosen then samples the data from the Waveform Formatter (HF0-5 and HPA0,1), and generates the proper waveform display symbols. The processor then puts this display information into RAM where it is later routed through the graphics buffer, U6AZ, and shifted out of the display data shift register, U6B, to the display.

## **8B-18. ROM and ROM Selection** (see schematic 8B-3)

U4N, a 1 of 8 addressable demultiplexer, is used to enable one of eight 8K word x 8-bit program ROMs for addressing. U7I and U8D determine if U4N is selected and the combination of HPA13-15 select which ROM is enabled.

## **8B-19. RAM Timing Control and RAMs** (see schematic 8B-4)

**8B-20. RAM TIMING CONTROL.** This circuitry is responsible for creating the Row and Column Address Strobes (RAS and CAS) needed for RAM data transfers. LRAS and LCAS, generated by the gating action of U2E, U2C, U2B, and U2A, are needed during read, write, and page mode read cycles of RAM. Figure 8B-7 shows the timing relationships of these signals.

The Address Multiplexer Select (AMS) signal lags LRAS by 25 nS and is used to enable the right group of RAM address multiplexers (MPU, graphics or CRT) at the proper time during a processor cycle time. The 20 MHz output of U2A, used to clock the control timing circuit and U2C, is half the frequency of the master clock UY1D.

**8B-21. RAM.** The CPU board uses eight 64K word x 1 bit dynamic RAMs. The RAMs require three external control signals LRAS, LCAS and LWE in order to insure proper data transfers. RAM is controlled by three different cycles; read, write, and page mode read. Note, the page mode read pulse is imbedded in the LCAS waveform and is used while in the graphics mode when two page reads from RAM are needed. The LWE signal controls read/write operations. See Figure 8B-7 for these timing waveform relationships.

Outputting data from RAM occurs as follows: When LCAS is high, the data-out lines from the RAM go to the high impedance state. Note that as LCAS goes high, RAM data latch U5B outputs previously stored data. When LCAS is low the inputs to U5B will be OFF and data will be output from RAM.

RAM refresh is done during a memory cycle at each of the 128 contiguous row addresses within a 2 mS time interval.

## **8B-22. CRT Control** (see schematic 8B-5)

This system uses the vertical scanning method to display information. With this type of scanning, the electron beam scans from top to bottom and from left to right. After each vertical scan the beam is moved horizontally to display another 23 characters. The non-interlace mode is the type of raster scanning used. This means that one field per frame is scanned before the electron beam is returned to the top left hand corner of the display.

For resolution the characters generated on a frame must be continually repeated in order to display them on the CRT. The character code stored in ROM and loaded into RAM is in ASCII and must be converted for use on the CRT. Since ASCII characters cannot be directly displayed, a character ROM (U6C) is used to convert the ASCII codes into the 9 x 16 dot pattern used to generate characters. See figure 8B-4 for a typical dot pattern for a character.

## 8B-23. CRT Controller (CRTC) Operation (see schematic 8B-5)

The CRTC is the interface between the MPU and the display system. The CRTC U6C contains nineteen programmable registers. These registers are initialized by the processor via the HDRW0-7 data bus. The MPU configures the CRTC to generate horizontal and vertical sync, raster addresses for the character ROM, a display enable signal, and a cursor asserted signal. However, there are several control inputs whose signals contribute to the initialization process. These are described in the following paragraphs.

**8B-24. CRTC INTERFACING.** The bi-directional data bus D0-7 is used for data transfers between the MPU and one of the internal registers of the CRTC. The high read/low write (HR/LW) line is used to determine whether a register is written to or read from. The register selected is determined by the state of HPA0 that is tied to the register select (RS) line. When HPA0 is low the address register is selected. When HPA0 is high, one of the data registers can be accessed. The enable (E) input is used to clock data to and from the data input/output buffers. The processor controls the E input with LIS2 which is the read/write CRTC line.

The clock (CLK) input is used mainly to synchronize the horizontal sync registers. The clock rate input is equal to the character rate of 1.27 MHz.

The low master reset (LMR) line is tied to the reset input of the CRTC. When a low level is on this line, the CRTC is forced into the following state:

- a. The display operation stops and all CRTC counters are cleared.
- b. All outputs go low.
- c. The control registers remain unchanged and unaffected.

**8B-25. HORIZONTAL AND VERTICAL SYNC.** The sync signals are generated by the CRTC timing registers. The horizontal registers are programmed in character time (785.79 nS) units with respect to the left-most displayed character. Note that the horizontal sync (HSYNC) signal from the CRTC is NANDed with the control latch bit B (CLB) signals. CLB will go high when the processor is finished initializing the CRTC. The HSYNC signal then becomes the vertical sync (HVSYNC) for the display driver board. The CRT's vertical sync timing registers are programmed in character line time (27.5  $\mu$ S) and are referenced to the top character position. Note that the vertical sync (VSYNC) signal from the CRTC becomes the horizontal sync (HHSYNC) signal for the display driver board. See figure 8B-6 for the timing relationships of these signals.

**8B-26. DISPLAY ENABLE AND CURSOR OUTPUTS.** Display enable (DE) is an active high output that indicates that addressing in the active display area is being provided by the CRTC. The cursor (CUR) output signal is determined by the initialization of the CRTC cursor registers. CUR is an active high signal that is exclusive-ORed with HRAD7 to provide inverse/non-inverse display blinking on a character.

**8B-27. RAM ADDRESSING.** The 14 memory addresses, MA0-13, from the CRTC are multiplexed together by U6E and U5E and used to address a 16K byte segment of dynamic RAM. The combination of the CLD and CLC inputs to U6E determine which 16K byte segment of RAM is available to the CRTC.

| CLD | CLC | kilo byte segment |
|-----|-----|-------------------|
| 0   | 0   | 0-16              |
| 0   | 1   | 16-32             |
| 1   | 0   | 32-48             |
| 1   | 1   | 48-64             |

**8B-28. RASTER ADDRESSES.** The CRTC provides 4 outputs, RA0-3, to be used by the character ROM U6C as the column address (1 of 9) for a character. In other words, RA0-3 position the Character ROM so that the correct character dots are displayed in the correct location on the raster.

## **8B-29. CHARACTER GENERATION** (see Figure 8B-12, schematic 5).

The circuitry responsible for the final processing of a character is the Character ROM, graphics output buffer, the display data shift register, display control circuitry, and the display data latches.

**8B-30. CHARACTER ROM.** The 121-bit Character ROM address consists of a 7-bit binary ASCII code (HCRA 0-6) that represents a standard symbol, i.e., a letter, number, or a symbol. Also, a column address (HRA0-3) that corresponds to the dot column that is to be output, and a timing qualifier, PH1. When character ROM U6C is enabled by LRE and the low output of U8D pin 6, the proper 8 dot segment for a given character is output to the display data shift register. A dot represents one logical bit.

The dot matrix size for each character is 9 dots wide by 16 dots high. The following is an example of how a single character is displayed on the CRT. Note that there are 23 characters to a character column on the raster (refer to figure 8B-5). The output dot sequence for a character is in 8 dot segments from top to bottom, left to right. The character ROM outputs the first 8 bits to the shift register U6B. When U6B serializes these, another 8 bits is loaded. Then the character ROM is given a new dot column address and the dot output routine is repeated. This is done 9 times for each character. Thus, the 9 x 16 character dot pattern. Note that a high from U6C is equal to a dot being on. See figure 8B-4 for a typical dot pattern.

**8B-31. DISPLAY DATA SHIFT REGISTER.** This device is responsible for converting parallel display information into a serial data stream. U6B can be configured for either shift left or parallel loading operations. This is determined by the level on pin 1.







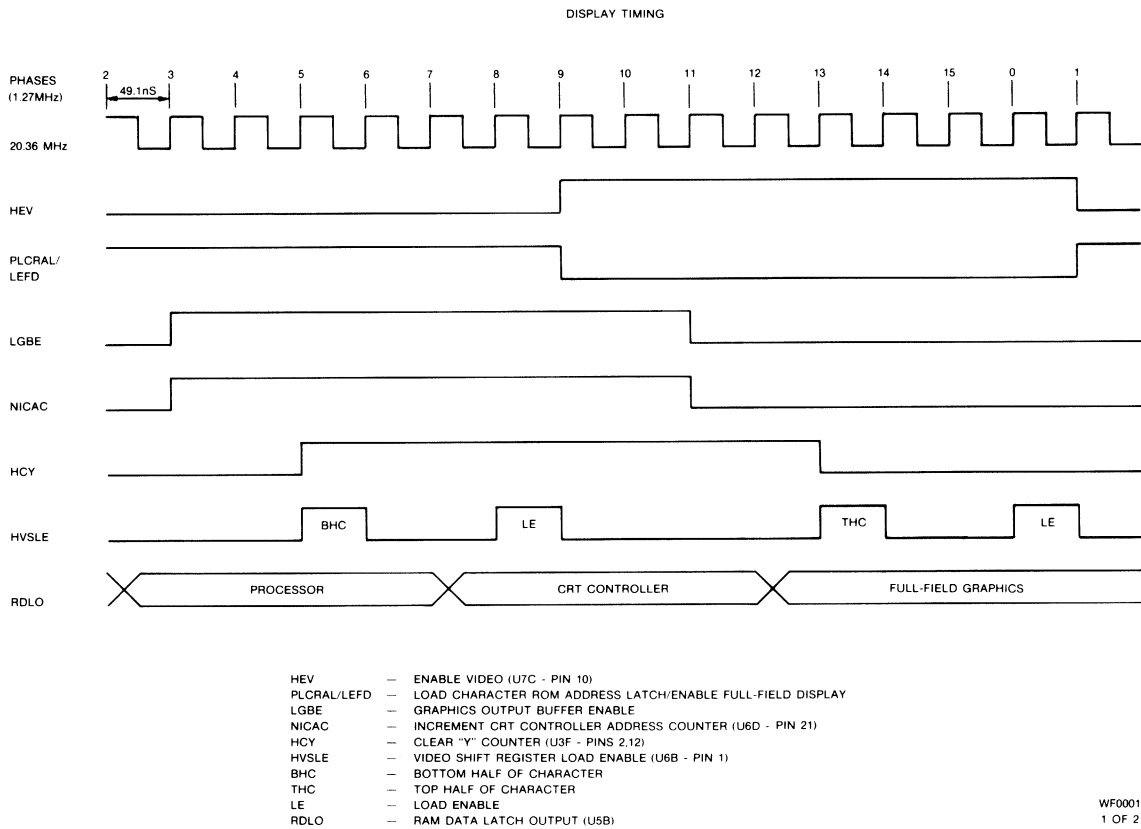


Figure 8B-6. Display Timing Waveform For One MPU Cycle



**8B-35. I/O Decoding** (see schematic 8B-6)

The Input/Output decoding circuitry is separated into two levels of decoding; macro and micro. I/O operations are enabled by a low level on the HPA20 address line from the MMU. Each level of decoding is outlined in the following.

**8B-36. MACRO I/O DECODING.** Macro decoder U30 is a 1 of 8 addressable demultiplexer. U30 is used to select, or enable, an I/O device that requires more than 2 Physical Addresses to perform a specific I/O function, i.e., read or write operations. Macro I/O is memory mapped into a 256 word space as shown in table 8B-3. Each macro I/O function, when selected by U30, is given 32 words of ROM space. However, the acquisition system is given a total of 64 words, two outputs from U30 which are ORed together by U7I-A to form Low Strobe (LSTB).

*Table 8B-3. Macro I/O Physical Address-to-Function*

| Physical Address | I/O Function     | Strobe Mnemonic |
|------------------|------------------|-----------------|
| 06XX00H          | Acquisition Sys. | LSTB            |
| 06XX40H          | Micro I/O        |                 |
| 06XX60H          | HP-IL Write      | LHLW            |
| 06XX80H          | HP-IL Write      | LHLR            |
| 06XXA0H          | HP-IB            | LHBS            |
| 06XXC0H          | Spare            |                 |
| 06XXE0H          | Not used         | LSS             |

**8B-37. MICRO I/O DECODING.** Micro decoders U5N and U6N are 1 of 8 addressable demultiplexers. U5N and U6N are used to select, or enable, an I/O operation and/or device that requires 2 Physical Addresses or less to perform an I/O operation. The I/O strobe line to function is given in table 8B-4.

*Table 8B-4. Micro I/O Physical Address-to-Function*

| Physical Address | I/O Function                  | Strobe Mnemonic |
|------------------|-------------------------------|-----------------|
| 06XX40H          | Keyboard Read Data            | LIS0            |
| 06XX41H          | Keyboard Read Status          | LIS0            |
| 06XX42H          | Keyboard Write Data           | LIS1            |
| 06XX43H          | Keyboard Write Status         | LIS1            |
| 06XX44H          | Read/Write CRTC               | LIS2            |
| 06XX46H          | Write Formatter               | LIS3            |
| 06XX48H          | Write Control Latch U6P       | LIS4            |
| 06XX4AH          | Write Control Latch U6O       | LIS5            |
| 06XX4CH          | Read Counter U6M              | LIS6            |
| 06XX4EH          | Write Counter U6M             | LIS7            |
| 06XX50H          | Reset Enable/Disable Timer FF | LIS8            |
| 06XX52H          | Read HP-IB Address            | LIS9            |
| 06XX54H          | Read Interrupt Status         | LISA            |
| 06XX56H          | Write Interrupt Mask          | LISB            |
| 06XX58H          | Spare                         | LISC            |
| 06XX5AH          | Spare                         | LISD            |
| 06XX5CH          | Spare                         | LISE            |
| 06XX5EH          | Spare                         | LISF            |

### **8B-38. Interrupt Processing** (see schematic 8B-6)

When an interrupt is generated by a device, a high will be sensed at the inputs to the interrupt mask and the read interrupt status buffer U1M. The interrupting device(s) is determined by the output of U1M. Each interrupt is given a specific firmware priority so that if two interrupts occur simultaneously, one will be serviced before the other. Interrupt priority is done by masking out the lower priority interrupts with a zero, from U1L, on the other input of their respective interrupt mask NAND gate. The highest priority interrupt is given a one (thus, making the low interrupt request (LIRQ) line low to the processor). The processor will then service the interrupt, clear the device's interrupt request line, read the interrupt status buffer, and change the interrupt mask to sample the next highest priority interrupt.

## 8B-39. HP-Interface Bus (HP-IB) Circuitry (see schematic 8B-7)

The Hewlett-Packard Interface Bus transfers data and commands between systems via 16 signal lines. The interface functions for each system component are performed within the component so only passive cabling is needed to connect systems. The cables connect all instruments, controllers, and other components of the system in parallel. The following is a description of the inputs to the HP-IB controller, and the outputs as they relate to interface operations.

**8B-40. MPU TO HP-IB INTERFACE.** HP-IB controller U2G communicates via thirteen memory mapped registers. Six of the registers are read from, and seven are written to. The registers are used to pass control data to, and status information from, a system component. HPA2-0, connected to the register select (RS2-0) lines, are used to select a particular register. A low on the chip enable line (CE) indicates that the processor is doing either a read or write from the selected register. Note that each combination of RS2-0 can indicate one of two different registers depending on whether a read or write operation is occurring. For example, a write operation with RS2-0 = 110 indicates a Parallel Poll register access, but a read to the same location indicates a Command Pass Through register access.

Reading or writing to a register is indicated by the level of HPA3. A high indicates an MPU read and the Data Bus In (DBIN) line will be asserted. When low, the Write Enable line (WE) is asserted and the MPU will write to a register. Data transfers are via the bi-directional data lines HDRW0-7 attached to the D0-7 lines of U2G.

**8B-41. HP-IB INTERFACE LINES AND OPERATIONS.** The eight data I/O lines (DIO1-8) are reserved for the transfer of data and other messages in a byte-serial, bit-parallel manner. Data and message transfer is asynchronous and is coordinated by three handshake lines: Data Valid (DAV), Not Ready For Data (NRFD), and Not Data Accepted (NDAC). The other five lines are for management of bus activity. See figure 8B-8 for HP-IB signal lines.

Devices connected to the bus may be talkers, listeners, or controllers. The controlling device dictates the role of each of the other devices on the bus by setting the ATN (attention) line true (low true) and sending talk or listen addresses on the data lines.

The MPU reads the rear panel switches to determine its device bus address and loads this into the HP-IB controller. While the ATN line is true, all devices must listen to the data lines. When the ATN line is false, only devices that have been addressed will actively send or receive data; all others ignore the data lines.

Several listeners can be active simultaneously but only one talker can be active at a time. Whenever a talk address is put on the data lines (while ATN is true), all other talkers are automatically unaddressed.

Information is transmitted on the data lines under sequential control of the three handshake lines (DAV, NRFD and NDAC). No step in the sequence can be initiated until the previous step is completed. Information transfer can proceed as fast as devices can respond, but no faster than the slowest device presently addressed as active. This permits several devices to receive the same message byte concurrently. For HP-IB handshake timing, see figure 8B-9.

The ATN line is one of the five management lines. When ATN is true, addresses and universal commands are transmitted on only seven of the data lines using ASCII codes. When ATN is false, any code of 8 bits or less understood by both talker and listener(s) may be used. The Interface Clear (IFC) line places the interface system in a known quiescent state via the abort message. The Remote Enable (REN) line is used with the remote, local and clear lockout/set local messages to select either local or remote control of each device. Any active device can set the Service Request (SRQ) line true. This indicates to the MPU that the device on the bus wants attention. The End Or Identify (EOI) line is used by a device to indicate the end of a multiple-byte transfer sequence. When the controlling device sets both the ATN and EOI lines true, each device capable of a parallel poll indicates its current status on the DIO line assigned to it.

The Interrupt (INT) line indicates an interrupt request when low. This signal is then inverted by U3P-B and routed to the interrupt mask where the MPU branches to a subroutine to service this interrupt.

**8B-44. HP-IB TRANSCEIVERS.** All of the input/output signals from the HP-IB controller are routed through two octal bus management transceivers U1I, and U1H. These devices are controlled by CONT (controller), TE (talk enable), and CL2 (system controller). U1I controls the direction of command and data transfer signals. The direction of the command signals ATN, SRQ and EOI is determined by the CONT line, but IFC, and REN are directed by CL2. Data transfer signals NRFD, NDAC, and DAV are controlled by TE. The direction of data flow through U1H is determined by ATN or EOI, while TE controls whether U1H is tri-stated or in the open-collector (enabled) mode.

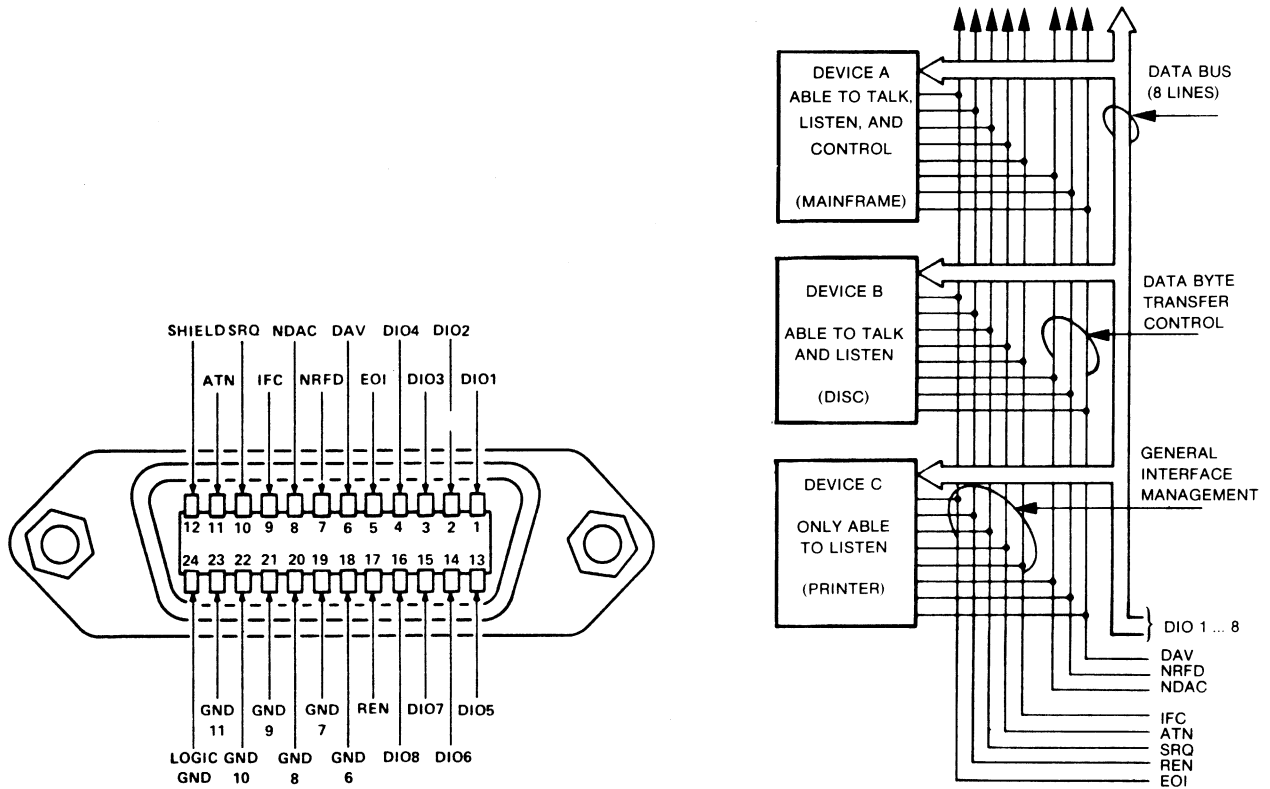


Figure 8B-8. HP-IB Signal Lines

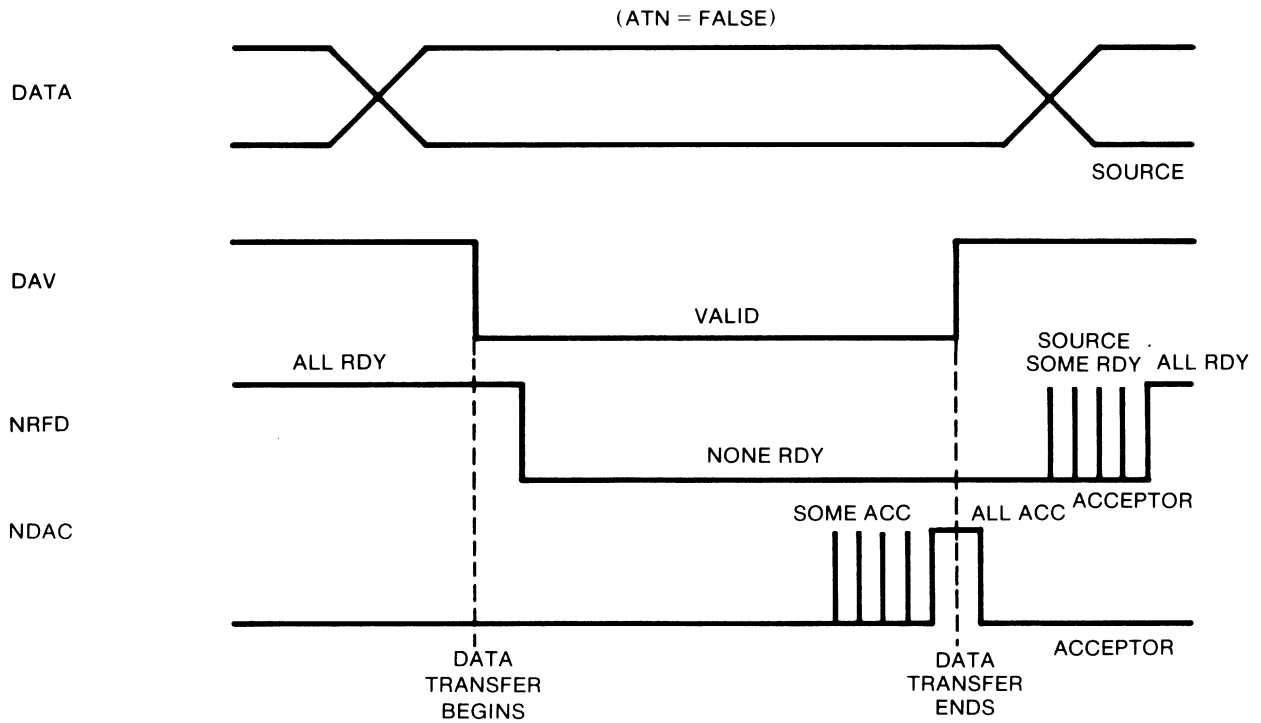


Figure 8B-9. HP-IB Handshake Timing For One Talker And Multiple Listeners



### **8B-43. System Status Switches** (see schematic 8B-7)

SW1, an 8 switch dip package, is mainly used to configure the 1630 on a system bus, i.e., HP-IB and HP-IL. Switch 6 of 8 is used to access a self test (ST) routine for testing some of the functions of the 1630. See Section 3 (Operation) for configuring the 1630 for HP-IB and HP-IL operations and Section 4 (Performance Tests) for initiating ST.

Switches 1 through 5 of 8 are used to select an address on the HP-IB interface bus. The combination of switches 7 and 8 select HP-IB talk only, HP-IB controlled, HP-IL controlled.

During power-on, the processor reads the status of SW1 by enabling U1E via LIS9. Then according to the switch settings the processor will either initiate self test (ST), write the HP-IB address and status into the HP-IB controller, or indicate to the HP-IL controller whether or not it is to be controlled by an outside device.

#### **NOTE**

The processor samples the setting of the system status switches ONLY during turn-on. Changing SW1 to "1" after turn-on will not initiate SELF TEST. Cycling the power OFF/ON will reset the switch status. After ST is executed, however, the ST switch may be set to a "0" allowing the System Specification menu to be displayed without cycling power.

### **8B-44. BNC Outputs** (see schematic 8B-7)

The rear panel BNC labeled PORT is used to supply the following seven signals from the acquisition system on a multiplexed basis. The other BNC labeled ACCESSORY POWER provides a regulated + 5 volt power supply for use by a preprocessor option.

#### Signal to BNC

- a. Pulse on State Trace Point
- b. High until State Trace Point
- c. Low until State Trace Point
- d. High on last Sequence
- e. Constant High
- f. Constant Low
- g. High on Timing Pattern

## **8B-45. HP-Interface Loop (HP-IL) Circuitry**(see schematic 8B-7)

**8B-46. GENERAL INFORMATION.** HP-IL is a bit-serial, uni-directional loop. Information is re-transmitted by each device; each device supplies only enough power to drive the message on to the next device. Also, HP-IL protocol provides for excellent error detection (meaning that commands and data make a complete circuit of the loop.) The originating device receives the information back after all other loop devices have received and transmitted it. By comparing returning information with what was sent out, errors along the loop are automatically detected.

HP-IL is capable of transmission speeds of up to 5,000 bytes per second. This speed is equivalent to about one printed page per second.

Three different roles are defined for HP-IL devices: Controller, talker and listener. Any device not assigned one of these roles is inactive. The controller is the one device in the loop that can designate the roles of devices and control the loop's operation. The system controller is the device that controls and initiates loop communication. It can transfer control to another device, which then becomes the controller on the loop (the active controller). Likewise, an active controller can transfer control to another device.

In order to distinguish between devices in the loop, each device must have an address (a number from 1 to 30). The controller uses the addresses to specify and control the devices. Even though each HP-IL device has a built-in address, the system controller always assigns new sequential addresses to each loop member. These addresses begin with address one for the device that follows the controller. Each device then stores its assigned address internally.

Information is in two categories: commands and data. Each piece of information, a command or data, is initiated by a device and sent around the loop. Each subsequent device, in turn, receives the information and either sends the information to the next device, or processes the information and then sends the information on to the next device.

**8B-47. MPU TO HP-IL INTERFACE.** The HP-IL controller U20 is used to interface the 1630 to devices that work at relatively low data rates, i.e., a digital cassette drive. U20 serves the purpose of converting signals back and forth from HP-IL to the MPU. The processor communicates with U20 through memory or I/O read and write cycles. The HP-IL chip has a Chip Select line (CS) and three address lines (RS0-2) to permit data transfers to and from eight internal registers. Note that some of the register bits are read-only, or write-only while some have bits that are both.

A write operation occurs when Low HP-IL Write (LHLW) from the macro decoder goes low, then the register selected by RS0-2 will be written to by the processor via the HDRWO-7 data bus. Read operations operate the same as a write operation except the Low HP-IL Read (LHLR) line will be asserted low.

The 2 MHz clock from the system timing controller provides the clock for the HP-IL chip. A low reset (LRST) from the power up master reset circuit will shut off the internal oscillator allowing the processor to initialize the chip.

**8B-48. HP-IL INTERFACE LINES AND OPERATIONS.** The signals from the previous device come into the receive data inputs RXD0 and RXD1 through a small pulse transformer in UT1 which provides a voltage step-up and isolates this device from the loop. R3 and R6 from the receiver inputs provide the proper load for the loop.

Each of the transmitter outputs TXD0 and TXD1 pass through a low-pass filter and impedance matching network consisting of C2, R5 and C1, R4. The signals then go through a pulse transformer which steps down the voltage to the proper loop level and isolates this device. Zener diodes CR1-4 are provided for transient suppression.

Whenever one or more of the interrupt bits together with the corresponding enable bit in the interrupt register is high, the interrupt request line HLI will be low. This signal is then inverted by U3P and seen in the interrupt mask. The MPU will respond, clearing or masking the bit, and IRQ will return to its normal high state. Unless the interrupt flag bit is cleared or masked, no further interrupts can occur since the interrupt line will remain in its low state.

### **8B-49. Probe Reference Voltage Adjust** (see schematic 8B-7)

The thresholds (THRO-4) for each pod are reference power supplies that specify the comparator switching points on the pod hybrid chip. Each of the five processor programmable supplies consist of a sample/hold circuit selected by U7O, and adjusted by U9N, a programmable DAC. Data can be specified in ranges of plus to minus 9.9 volts in 0.1 volt increments.

**8B-50. PROBE THRESHOLD SELECTION.** The following is a brief example of this circuit's operation for selecting one probe threshold: The user can request a specific threshold for sampling data on each pod, either TTL, ECL, or a level equal to or less than +/- 9.9 volts (this system defaults to TTL sample levels). After a threshold is selected the processor will program U9N (via U9E), a digital-to-analog converter (DAC) for a current level proportional to the threshold. This current level is then converted by U8O to a voltage level proportional to the required threshold. A probe threshold driver is selected by U7O. The selected reference threshold level is then used by the pod hybrid chip. The probe threshold driver will hold a reference level until it is refreshed or updated.

**8B-51. ADDITIONAL INFORMATION.** The DAC is configured for write only operation. The processor writes information into the DAC via the keyboard controller U9E. When BD is high, write information is presented to the DAC, and a probe threshold driver is selected by U7O (via the scan line outputs SLO-2 of U9E). Then, when BD goes low it is delayed in the voltage reference circuitry. When U7P pin 13 goes low, the DAC latches the data on its input, converts it, and presents it to U7O. When U7P pin 14 goes high, the selected probe threshold driver samples the converted data. Then, in 100 mV increments, a reference voltage (THRO-4) proportional to the user threshold sample voltage is output. The reference voltage is refreshed or updated every keyboard scan time. A keyboard scan time is 5 mS or every time BD goes low.

The ground sense lines, GS0-4, compensate for the difference in ground levels between systems. For example, if the voltage on GS0 was able to form a voltage drop across R4 of UR9P then the voltage on THRO would increase proportionally. This insures that data is being sampled at the user selected threshold level with respect to the users system ground.

The Voltage Reference circuit provides a precision +5 volt supply for the DAC and a voltage reference (VR) for U7P in the Power-Up Master Reset circuit.

## **8B-52. Keyboard Scanning** (see schematic 8B-7)

The keyboard controller, U9E, is used to scan the keyboard and control probe reference voltage adjustments. U9E is programmed and controlled by the processor for each of these functions. The following will describe the keyboard scanning functions of U9E.

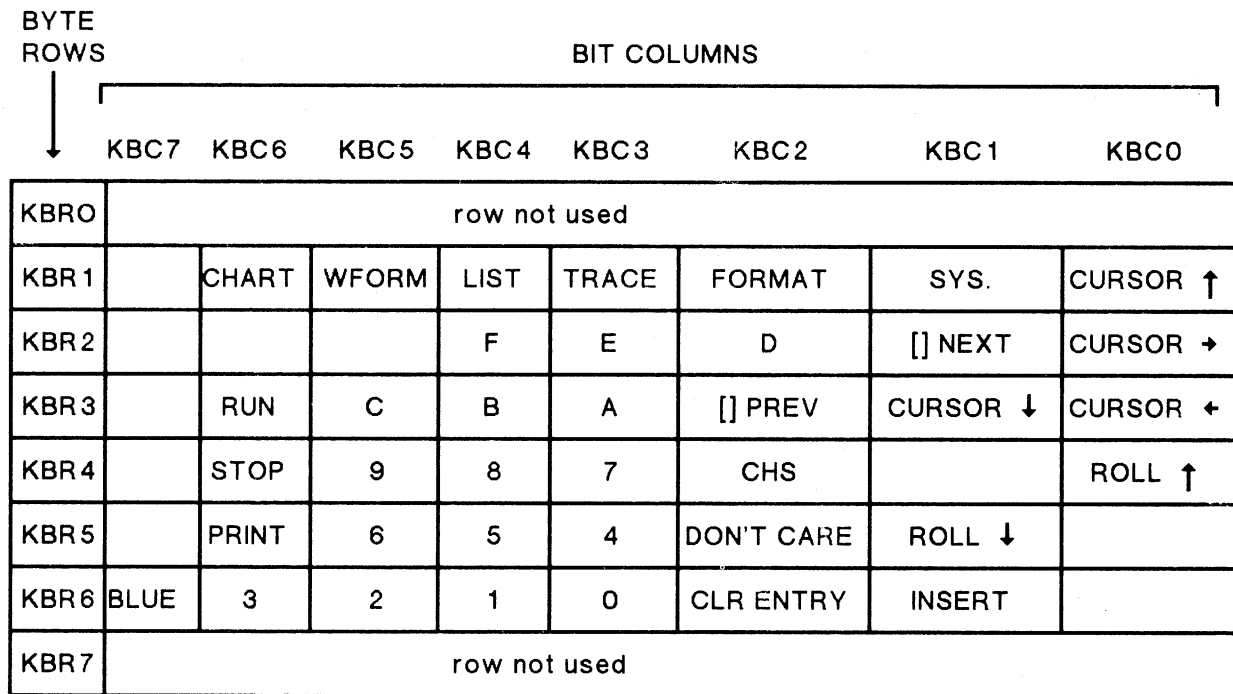
**8B-53. MPU TO KEYBOARD CONTROLLER INTERFACE.** The I/O control section of U9E uses four signals to control data flow to and from several internal registers and buffers via the HDRW0-7 data bus. With chip select (CS) tied, low bi-directional data flow is always enabled. A high on the A0 line indicates that the information going in or out to the MPU is command or status, whereas a low means the information transferred is data. When LIS0 is low, data or status is read (RD) into U9E. When LIS1 is low, data or status is written (WR) into U9E.

The 1.27 MHz PH6 signal ties to the clock (CLK) input of U9E. By programming U9E, this frequency is divided internally to 100 KHz which yields a 5 ms keyboard scan time or a 200/sec scan rate.

The Reset Line (RST) is tied to the power up master reset circuit via the High Master Reset line (HMR).

**8B-54. KEYBOARD SCAN OPERATIONS.** The keyboard controller uses the sensor matrix mode for scanning the keyboard. This means that each switch is given a specific sensor matrix location in an 8 bit x 8 bit sensor RAM on U9E. Thus, the sensor RAM keeps an image of the state of the switches in the sensor matrix. In this mode debouncing of the switches is not done. However, the advantage is that the MPU can determine how long a switch is depressed. The interrupt request line (HKBI) will go high, and stay high at the end of a sensor matrix scan if a location has changed value.

The following is an example of a sensor matrix scan: Scanning the rows of the sensor matrix, or keyboard, is done with the combination of the encoded scan lines, SLO-2. These lines will count from zero to seven in binary enabling U9F, a 1 of 8 demultiplexer. U9F will low select the proper row (KBR1-6) of switches that corresponds to the proper row, or byte, in the sensor RAM matrix. Then, while each row is asserted, each column (KBC0-7) in the sensor matrix is sampled and loaded into their respective bit locations in the sensor RAM. If a low was sensed on a column line, then the intersection of that row and column indicates a switch closed in the sensor matrix. The IRQ line will then go high indicating to the processor that a switch was pressed. The processor will service the interrupt and IRQ will go low. See figure 8B-10 for the keyboard switch to sensor matrix address locations.



**NOTES**

- a. Keys do not exist for blank spaces above
- b. KBC0-7 = Keyboard column 0-7
- c. KBR0-7 = Keyboard row 0-7

*Figure 8B-10. Keyboard Switch to Sensor Matrix Address Locations*

**8B-55. Keyboard Switch Pad** (see schematic 8B-8)

The keyboard is a 6 x 8 matrix consisting of 6 rows labeled KBR1-6 that are enabled one at a time, and 8 columns (KBC0-7) that are sampled each row time for a closed switch. The 38 keys used are single-pole single-throw switches. The keyboard interfaces with the keyboard controller, U9E, on the CPU board.

## 8B-56. DISPLAY SYSTEM OPERATION VERIFICATION AND TROUBLESHOOTING

The following procedure and information is used to determine if the CPU, Display Driver, or CRT is faulty. The first section determines if the CPU board is bad, the second determines if the CRT or Display Driver is faulty.

### CPU INTERFACE OPERATION VERIFICATION

#### NOTE

The following procedure assumes that there is NO video information being displayed on the CRT.

- a. Turn OFF the 1630A/D.
- b. Remove the two plastic standoffs and loosen the screw that secures the top cover. Remove cover. For more information refer to the installation and removal procedures in Section II.
- c. At the Display Driver board disconnect the 16-pin ribbon cable (W2) going to the CPU board.
- d. See table 8B-5 for cable pin assignments. Probe these pins while referencing tables 8B-5 and 8B-6.
- e. See table 8B-6 for applicable electrical specifications if problems exist.

*Table 8B-5. CPU To Display Driver Cable Pin Assignments*

Pin 1 is the red wire

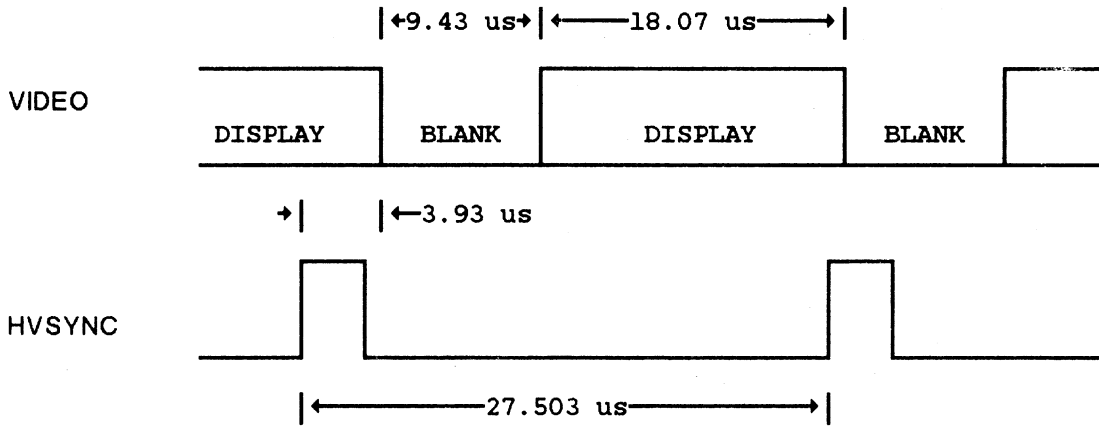
|             |        | ----- |   |    |        |
|-------------|--------|-------|---|----|--------|
| (VER. SYNC) | HVSYNC | 1     |   | 2  | GROUND |
| (HOR. SYNC) | HHSYNC | 3     |   | 4  | GROUND |
| (VIDEO B)   | HFB    | 5     | P | 6  | GROUND |
| (VIDEO A)   | HHB    | 7     | I | 8  | GROUND |
| (SOURCE)    | +5V    | 9     | N | 10 | GROUND |
| (SOURCE)    | +12V   | 11    | S | 12 | GROUND |
| (SOURCE)    | +15V   | 13    |   | 14 | GROUND |
| (SOURCE)    | +15V   | 15    |   | 16 | GROUND |
|             |        | ----- |   |    |        |

Table 8B-6. Applicable Electrical Specifications

**Vertical Sync. (fast axis)**

- a. Single-ended TTL input: HVSYNC
- b. Sync signal timing characteristics.

Pulse width and position relative to the video. Timing is indicated below:

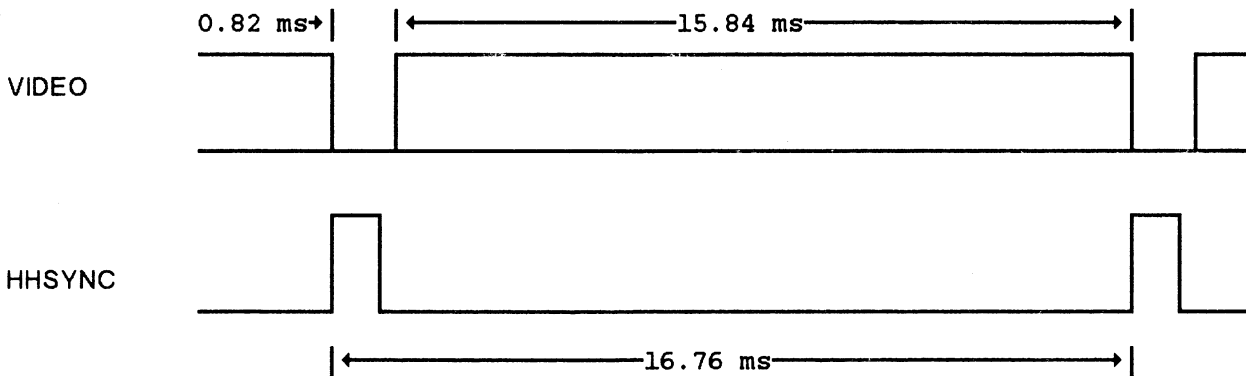


- c. Scan direction is top to bottom.

**Horizontal Sync. (slow axis)**

- a. Single-ended input: HHSYNC
  - 1. Low level signal is less than or equal to 0.4 volts.
  - 2. High level signal is 5.0 volts +/- 5%.
- b. Sync signal timing characteristics.

Pulse width and position relative to the video. Timing is indicated below:



- c. Scan direction is left to right.

Table 8B-6. Applicable Electrical Specifications (cont'd)

**Video information**

## a. Single-ended TTL inputs

1. Half-bright: HHB
2. Full-bright: HFB

## b. Truth Table

| HFB | HHB | Video Output |
|-----|-----|--------------|
| 0   | 0   | OFF          |
| 0   | 1   | Half-Bright  |
| 1   | 0   | Full-Bright  |
| 1   | 1   | Full-Bright  |

## c. Dot period is 49.1ns

**Power Supplies**

## a. +5 volts +/-5%

b. +12 volts +/-5%; I<sub>max</sub> is 0.085 Amps  
(+12 volts used only for CRT filament)c. +15 volts +/-5%; I<sub>max</sub> is .8 Amps average  
1.5 Amps peak  
.65 Amps typical

(+15 volts used for horizontal and vertical deflection)



**DISPLAY DRIVER OPERATION VERIFICATION**

The following procedure will help determine if the Display Driver or the CRT is faulty.

- a. Verify that the 16 inputs from the CPU board meet the specifications given in table 8B-5 and 8B-6.
- b. If there is correct video information on the CRT, perform the Display System Adjustments procedure given in Section V (Adjustments). If any display adjustment cannot be performed, check the typical operating voltages for the CRT given in the table 8B-7. Use a HIGH VOLTAGE PROBE for these measurements.
- c. If the voltages to the CRT are correct, the Display Driver is bad and should be replaced.
- d. If there is incorrect video information on the CRT, check the display generation circuitry on the CPU board, i.e., CRT Controller, Character ROM, etc.
- e. If there is NO video information on the CRT and the typical operating voltages for the CRT (see table 8B-7) are correct, then the CRT and Display Driver are suspect.

*Table 8B-7. Typical Operating Voltages For The CRT*

**NOTE**

Unless otherwise specified, voltage values are positive with respect to Grid 1\*.

| NAME     | CRT BASE PIN # | CRT BASE CONNECTOR WIRE COLOR | TYPICAL OPERATING VOLTAGES |
|----------|----------------|-------------------------------|----------------------------|
| Grid 4   | 7              | blue wire                     | 0 to 400 Vdc               |
| Grid 2   | 6              | red wire                      | 500-800 Vdc; Typ. 700 Vdc  |
| Grid 1   | 5              | not connected                 |                            |
| Heater   | 4              | black wire                    | 0 V                        |
| Heater   | 3              | brown wire                    | 12 Vdc; 13.2 Vdc Max.      |
| Cathode  | 2              | yellow wire                   | 48-82 V                    |
| Grid 1 * | 1              | green wire                    | 0 V                        |
| Anode    |                | red post accelerator lead     | 8-12 KVdc; Typ. 10 KVdc    |

## 8B-57. MNEMONICS.

Signals on the 1630 CPU board have been assigned mnemonics in alphabetical order that describe the active state and function of the signal (see table 8-1 Logic Symbols). A prefix letter (H, or L) is used to indicate the active state of the signal and the remaining letters indicate its function. A "H" prefix indicates that the function is active in the "high" state; a "L" prefix indicates that the function is active in the "low" state. Table 8B-8 is a listing of the mnemonics used on the schematics.

*Table 8B-8. Mnemonics*

| Mnemonic | Description   |
|----------|---|
| 20MHZ    | 20 MHz clock used to derive the 1.27 MHz clock rates of the control timing circuit. This signal also determines the dot rate for character generation.  |
| 2MHZ     | 2 MHz clock from the system timing controller for use by the HP-IB control chip.  |
| 4MHZ     | 4 MHz clock from the system timing controller for use by the HP-IB control chip.  |
| AMS      | Address MUX Select. AMS selects which group of RAM address multiplexers control the RAM address lines during an MPU cycle. Multiplexers isolate each functional group (MPU, CRTIC, or Graphics) from the RAM address bus HRAA0-7. |
| ATN      | Attention. Ties to HP-IB ATN line via transceiver. Defines type of data on the data bus (addresses/commands or data).   |
| CLO-CLD  | Control Latch 0-D. Used by the MPU to control various system functions. See table 8B-1 for the Control Latch Bit assignments.   |
| DO-7     | Data outputs from the Character ROM and graphics output buffer to the display data shift register.  |
| DAV      | Data Valid. Ties to the HP-IB DAV line via transceiver chip. Indicates availability and validity of data on the data bus.   |
| DIO1-8   | Data I/O Bits 1-8. Connected to HP-IB I/O lines via transceiver.  |
| ENDT     | Enable Data Transfer. When high, allows data to be written to the acquisition system. When low, allows data to be read from the acquisition system.   |
| EOI      | End Of Identify. Bi-directional line that ties to the HP-IB EOI line via transceiver. Indicates end of data transfer or identifies initiation of polling operation.   |
| GSO-4    | Ground Sense 0-4. Return ground sense lines adjust the threshold level so that data is sampled with respect to the user's system ground.  |
| HA0-5    | Address 0-5. ECL level address lines from the CPU system to the acquisition system.   |
| HACK     | Address clock. Increments memory address counters on State Slave.   |

*Table 8B-8. Mnemonics (Cont'd)*

| Mnemonic           | Description  |
|--------------------|--|
| HBI                | HP-IB Interrupt to the processor via interrupt mask.   |
| HBNC               | Signal from the acquisition system to the rear panel BNC labeled PORT.   |
| HCRA0-7            | Character ROM Address 0-7. ASCII code from RAM via ROM.  |
| HCX                | Clear X. This signal clears the X counter at the end of a frame.   |
| HCY                | Clear Y. This signal clears the Y counter at the end of a line.  |
| HDO-7              | Data 0-7. ECL level bi-directional data lines to/from the CPU system and the acquisition system.   |
| HDR0-7             | Data Read 0-7. Data read from the acquisition system.  |
| HDRW0-7            | Data Read/Write 0-7. Bi-directional CPU system data bus.   |
| HDW0-7             | Data Write 0-7. Write only data from the processor.  |
| HFO-5              | Formatter 0-5. Waveform information from the waveform formatter used to address the formatter ROM.   |
| HFB                | Full Bright. The combination of this signal and the HHB signal determines the brilliance of the video displayed.   |
| HHB                | Half Bright. The combination of this signal and the HFB signal determines the brilliance of the video displayed.   |
| HHSYNC             | Horizontal Sync. Used by the display driver.   |
| HKBI               | Keyboard Interrupt to the processor via the interrupt mask indicating a key was pressed.   |
| HLI                | HP-IL Interrupt to the processor via the interrupt mask.   |
| HMR                | High Master Reset. This signal will be high until the +5 volt supply exceeds approximately 4.75 volts.   |
| HPA0-20            | Physical Address 0-20. This is the CPU systems Physical Address bus.   |
| HRA0-3             | Raster Addresses 0-3. Used by the Character ROM as the column address for a character.   |
| HRAA0-7<br>(C,G,M) | RAM Address 0-7. Only one of three functional groups are allowed to address RAM at a given time. The functional groups are: CRTIC, Graphics, or MPU. See figure 8B-4 for timing waveforms. |
| HRAD0-7            | RAM Data 0-7.  |

Table 8B-8. Mnemonics (Cont'd)

| Mnemonic | Description  |
|----------|--|
| HR/LW    | High Read/Low Write. ECL level read/write control signal to the acquisition system.  |
| HRTC     | Real Time Clock. This signal is an interrupt from the system timing controller. The processor syncs on this interrupt for a real time clock display.   |
| HR/WL    | High Read/Write Low. Signal from the I/O decoding circuitry to the CRT Controller.   |
| HTCK     | High Timing Clock. ECL timing clock for under 5 MHz.   |
| HTMC     | Timing Measurement Complete. Indicates a measurement has been completed and that acquisition memory can be read by the processor.  |
| HVSYNC   | Vertical Sync. Used by the display driver.   |
| IFC      | Interface Clear. Ties to the HP-IB IFC line via transceiver. Places I/O system into known quiescent (idle) state.  |
| KBC0-7   | Keyboard Column 0-7. Return sense lines to the keyboard controller.  |
| KBR 1-6  | Keyboard Row 1-6. Keyboard stimulus lines from the keyboard controller.  |
| LACK     | Complement of HACK.  |
| LCAS     | Column Address Strobe. Needed for RAM data transfers.  |
| LCRE     | Character ROM Enable.  |
| LCS0-7   | Chip Select 0-7. Selects which ROM is being addressed.   |
| LECB     | Enable CRTC Buffer. When low, the CRTC buffer is enabled allowing RAM to supply data to the CRT Controller (CRTC). When high, the processor supplies data to the CRTC.                         |
| LEFD     | Enable Full-field Display. When low, this signal disables addressing of the Character ROM and enables the graphics address multiplexers. This allows scanning of the full-field graphics area. |
| LGBE     | Graphics Buffer Enable. When asserted, the graphics information is loaded into the display data shift register.  |
| LHBS     | HP-IB I/O Strobe. HP-IB chip enable from the macro decoder.  |
| LHLR     | HP-IL Read. Processor controls HP-IL read operations via the macro decoder.  |
| LHLW     | HP-IL Write. Processor controls HP-IL write operations via the macro decoder.  |
| LIRQ     | Interrupt Request. Signal from the interrupt mask to the processor.  |

*Table 8B-8. Mnemonics (Cont'd)*

| Mnemonic | Description  |
|----------|--|
| LIS0-9   | I/O Strobe 0-9. Signals from the micro decoder used for read\write operations. See table 8B-4, micro I/O physical address-to-function. |
| LLX      | Load X Counter. When low the X counter is loaded with 07 hex.  |
| LMCI     | Measurement Complete Interrupt. Interrupt to the processor via the interrupt mask.   |
| LMR      | Low Master Reset. This signal will be low until the +5 volt supply exceeds approx. 4.75 volts.   |
| LRA      | Register Access. Indicates that the MMUs registers are being accessed by the processor.  |
| LRAS     | Row Address Strobe. Needed for RAM data transfers.   |
| LR/HW    | Low Read/High Write. Control signal from the I/O decoding circuitry used to form HR/LW.  |
| LRST     | Low Reset. This signal will be low until the +5 volt supply exceeds approx. 4.75 volts.  |
| LSTB     | Low Strobe. ECL level control signal to the acquisition system that is used with HR/LW to indicate a data transfer.                    |
| LTCK     | Low Timing Clock. ECL timing clock for under 5 MHz.  |
| LWE      | Write Enable. When asserted, allows data to be written into RAM.   |
| LW/HR    | Low Write/High Read. Indicates the direction in which data is being transferred on the HDRW0-7 data bus.                               |
| MA0-13   | Memory Address 0-13. Used for RAM refreshing.  |
| NDAC     | Not Data Accepted. HP-IB handshake line indicating acceptance of data by all devices.  |
| HRFD     | Not Ready For Data. HP-IB handshake line indicating that devices are ready to accept data.   |
| PH0-PH7  | Phase 0-7. Each phase is a 1.27 MHz signal from the control timing circuit. Adjacent phases are separated by 50 mS.                    |
| PH1N-7N  | Phase 1-7 Not. Complement of the PH0-7 signals.  |
| REN      | Remote Enable. Ties to HP-IB REN via transceiver. Enables alternate devices to provide programming data.                               |
| RXD0-1   | Receive Data 0-1. HP-IL return data from the previous device.  |

*Table 8B-8. Mnemonics (Cont'd)*

| Mnemonic | Description  |
|----------|--|
| SRQ      | Service Request. Ties to the HP-IB SRQ line via transceiver. Indicates a need for service; causes an interrupt of the current sequence to the processor. |
| THRO-4   | Threshold 0-4. An adjustable sample threshold for the pod hybrid chip comparator.  |
| TXDO-1   | Transmit Data 0-1. HP-IL transmit information to the next device.  |
| VR       | Voltage Reference. A precision +5.00 volt reference supply.  |
| X0-9     | X coordinates for the full-field graphics display area.  |
| Y4-9     | Y coordinates for the full-field graphics display area.  |

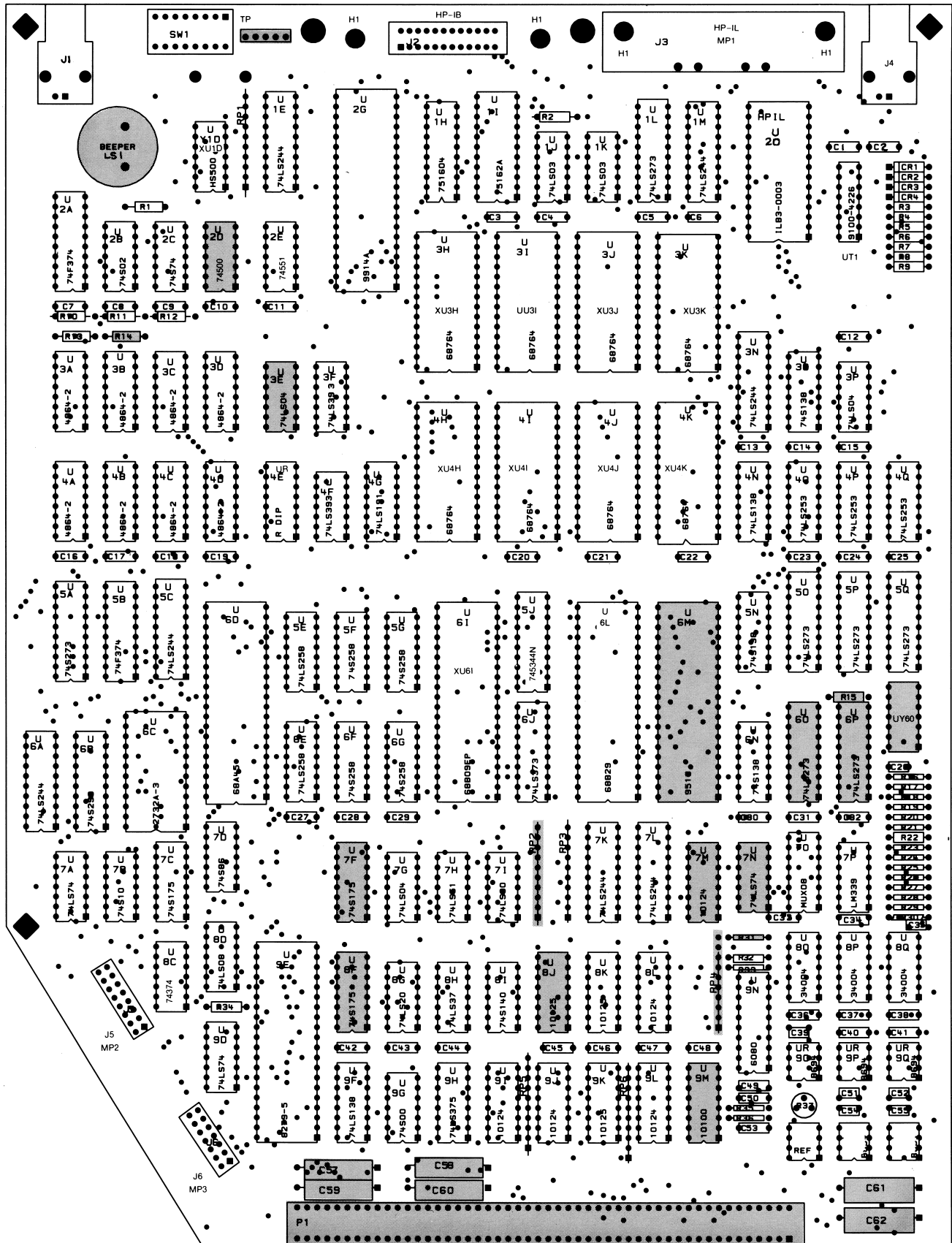


Figure 8B-11. CPU Component Locator (1 of 7)

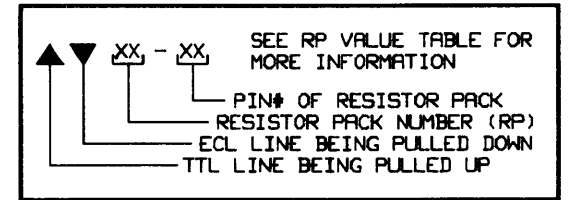
**NOTE 1**

CPU BOARDS 01630-66503 AND 01630-66512 ORIGINALLY HAVE U6M PIN 25 AS "NC". BOARDS MAY BE MODIFIED TO RUN IN A 1630G AND HAVE PIN 25 JUMPERED TO +5V.

**POWER CONNECTIONS**

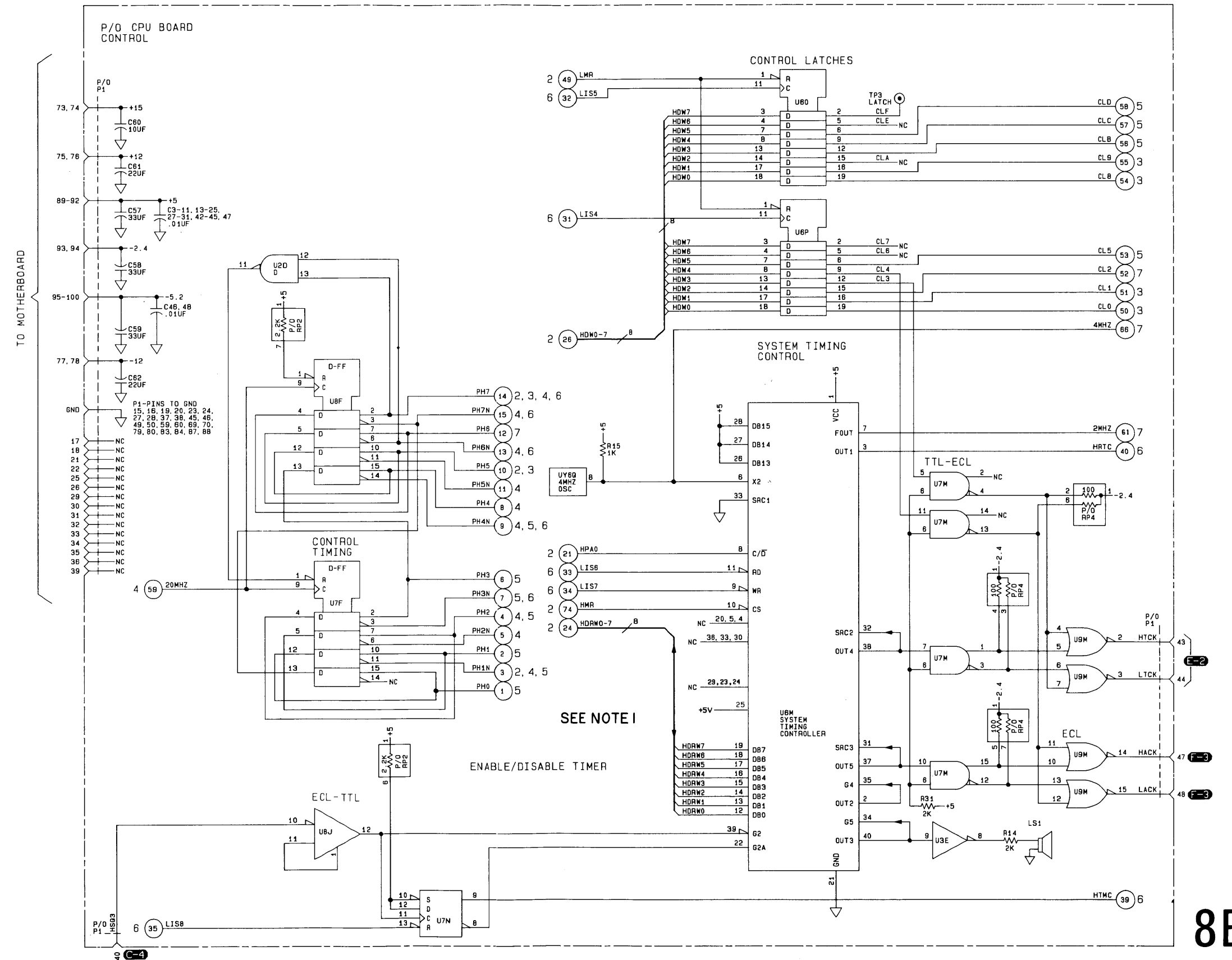
| SUPPLY | PIN NO. | IC GROUP  |
|--------|---------|-----------|
| +5     | 20      | U60,P     |
| GND    | 10      |           |
| +5     | 14      | U2D,3E,7N |
| GND    | 7       |           |
| +5     | 1       | U6M       |
| GND    | 21      |           |
| +5     | 16      | U7F,8F    |
| GND    | 8       |           |
| +5     | 9       | U7M,8J    |
| -5.2   | 8       |           |
| GND    | 16      |           |
| +5     | 1       | U9M       |
| -5.2   | 8       |           |
| GND    | 16      |           |

**RESISTOR PACK DESCRIPTIONS:**



**PARTS ON THIS SCHEMATIC**

|  |  |
|--|--|
| U2D,3E,6M,0,P,<br>U7F,M,N,8F,J,9M<br>C3-11,13-25,27-31,<br>42-48,57-62<br>LS1<br>R14,15,31<br>RP2,4<br>TP3 |  |
|--|--|



**8B-1**

Figure 8B-12. CPU Schematic (1 of 8)  
8B-43



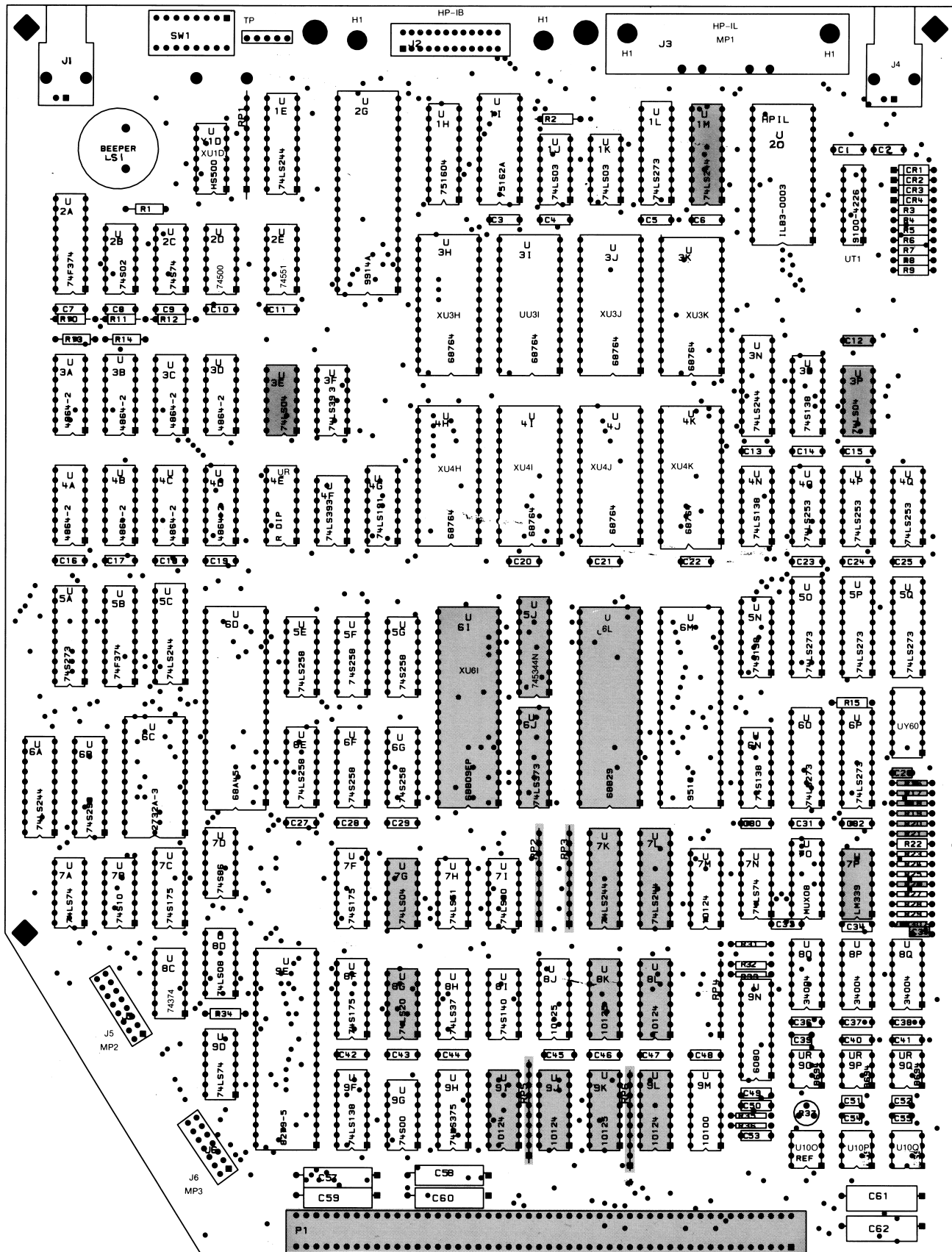
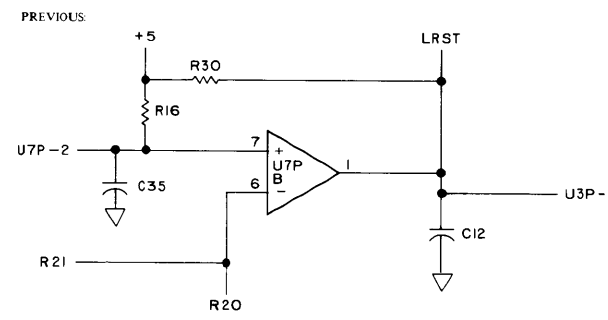


Figure 8B-11. CPU Component Locator (2 of 7)

**NOTE 1**

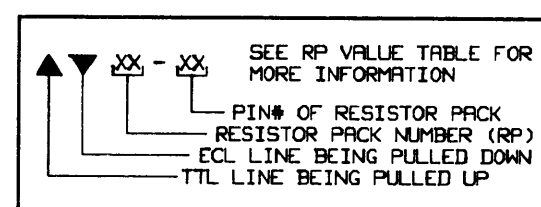
FOR CPU BOARD 01630-66503, THE FOLLOWING CIRCUIT CHANGES SHOULD BE MADE.



**IC DEVICE POWER CONNECTIONS**

| SUPPLY | PIN NO. | IC GROUP                |
|--------|---------|-------------------------|
| +5V    | 20      | U1M, 5J, 6J, 7K, U7L    |
| GND    | 10      |                         |
| +5V    | 14      | U3E, 3P, 7G, 8G         |
| GND    | 7       |                         |
| +5V    | 7       | U6I                     |
| GND    | 22      |                         |
| +5V    | 22      | U6L                     |
| GND    | 1       |                         |
| +12V   | 3       | U7P                     |
| GND    | 12      |                         |
| +5V    | 9       | UBK, 8L, 9I, 9J, USK, L |
| -5.2V  | 8       |                         |
| GND    | 16      |                         |

**RESISTOR PACK DESCRIPTIONS:**



**PARTS ON THIS SCHEMATIC**

|                       |  |
|-----------------------|--|
| U1M, 3E, P, 5J, 6I, 7 |  |
| U6L, 7G, K, L, P,     |  |
| UBG, 1K, L, 8T, L     |  |
| C12, 26, 33, 35       |  |
| R16-21, 26, 30        |  |
| RP2, 3, 5, 6          |  |

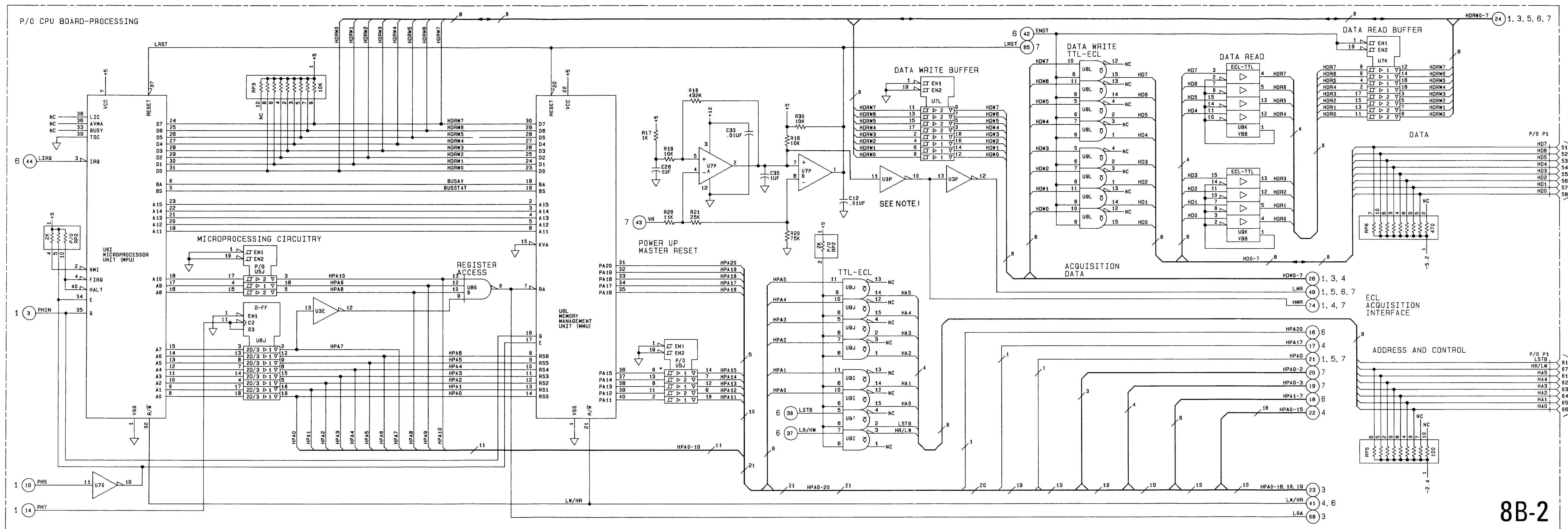


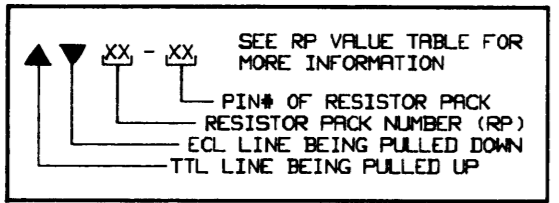
Figure 8B-12. CPU Schematic (2 of 8)  
8B-45



**IC DEVICE  
POWER CONNECTIONS**

| SUPPLY     | PIN NO.  | IC GROUP                    |
|------------|----------|-----------------------------|
| +5V<br>GND | 14<br>7  | U3E, 3F, 3P, 4F,<br>U7I, 8D |
| +5V<br>GND | 28<br>14 | U3H, 3I, 3J, 3K,<br>U4H-K   |
| +5V<br>GND | 28<br>18 | U3N, 50-Q                   |
| +5V<br>GND | 16<br>8  | U4G, 40-Q, 5F, 6F           |

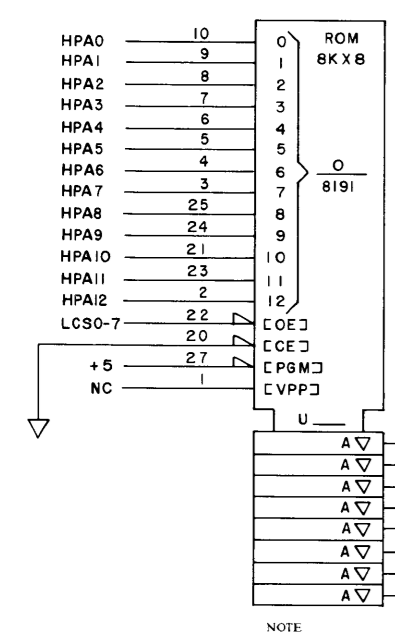
**RESISTOR PACK DESCRIPTIONS:**



**PARTS ON THIS SCHEMATIC**

|  |  |
|--|--|
| U3E, F, H-K, N, P,<br>U4F-K, 40-Q, 5F,<br>U50-Q, 6F, 7I, 8D<br>RP2 |  |
|--|--|

NOTE A - ROM Information for U3H-K and U4H-U4K



NOTE  
Pin 26 of an Intel 2764 EPROM is not connected internally for pin compatibility with an Intel 2732 EPROM.

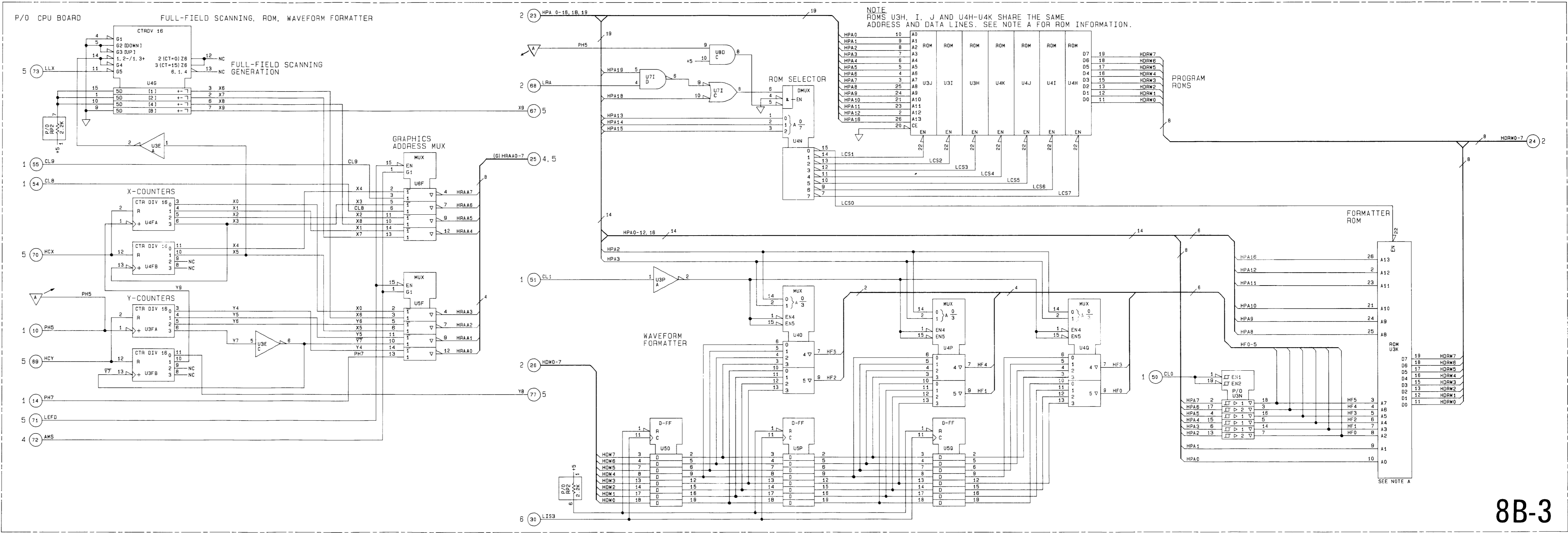


Figure 8B-12. CPU Schematic (3 of 8)  
8B-47

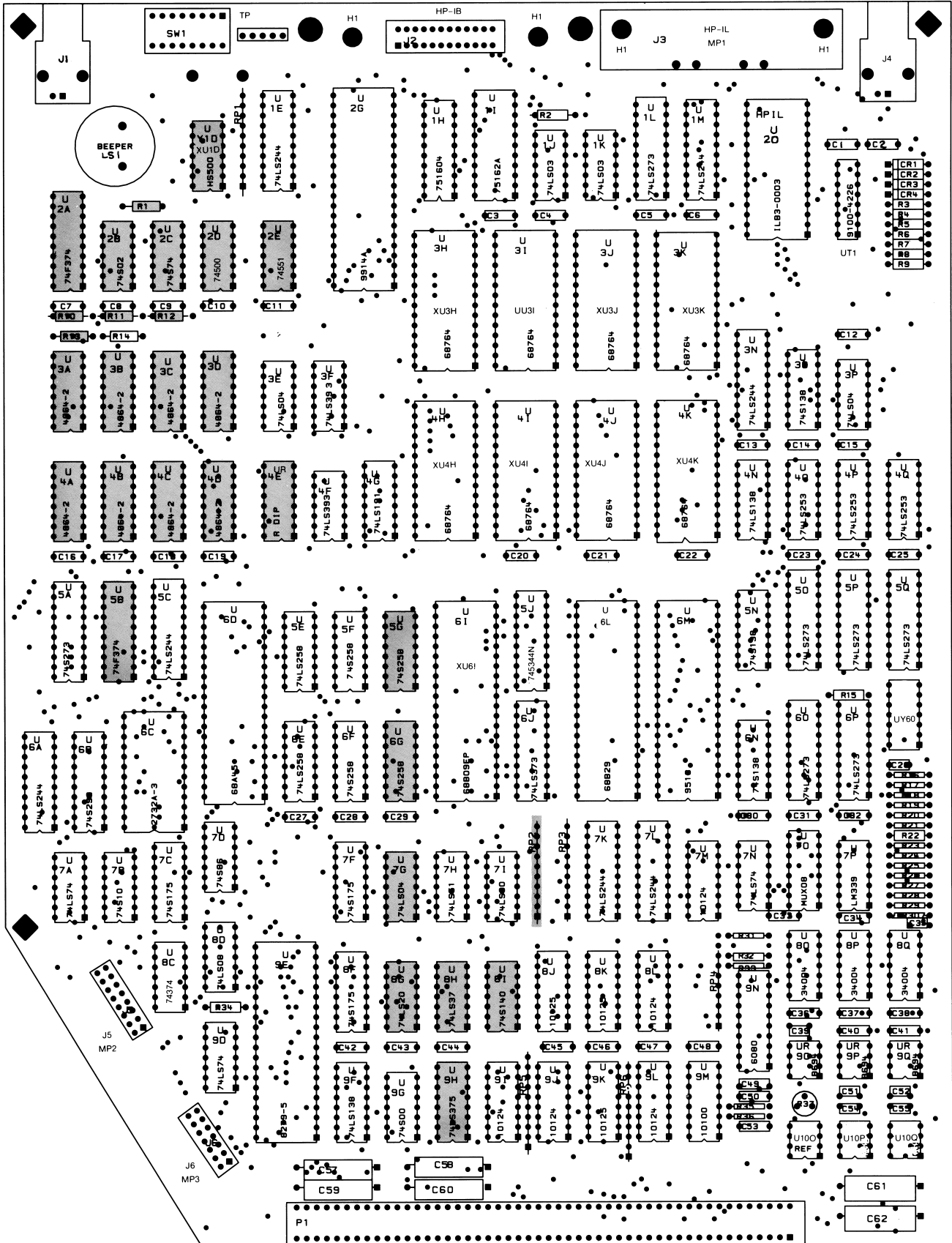
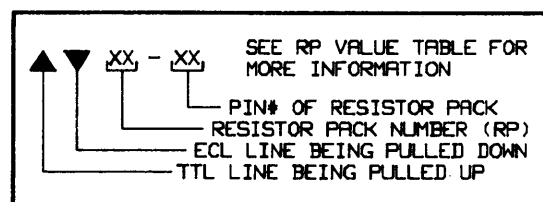


Figure 8B-11. CPU Component Locator (4 of 7)

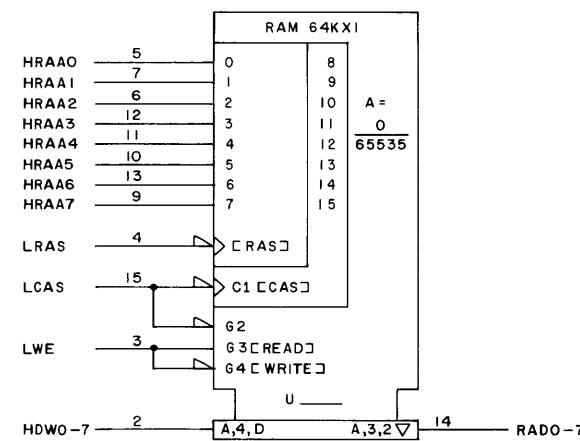
**IC DEVICE  
POWER CONNECTIONS**

| SUPPLY | PIN NO. | IC GROUP        |
|--------|---------|-----------------|
| +5     | 20      | U2A, 5B         |
| GND    | 10      |                 |
| +5     | 14      | U2B-E, 7G, 8G-I |
| GND    | 7       |                 |
| +5     | 16      | U5G, 6G, 9H     |
| GND    | 8       |                 |
| +5     | 8       | U3A-D, 4A-D     |
| GND    | 16      |                 |

**RESISTOR PACK DESCRIPTIONS:**



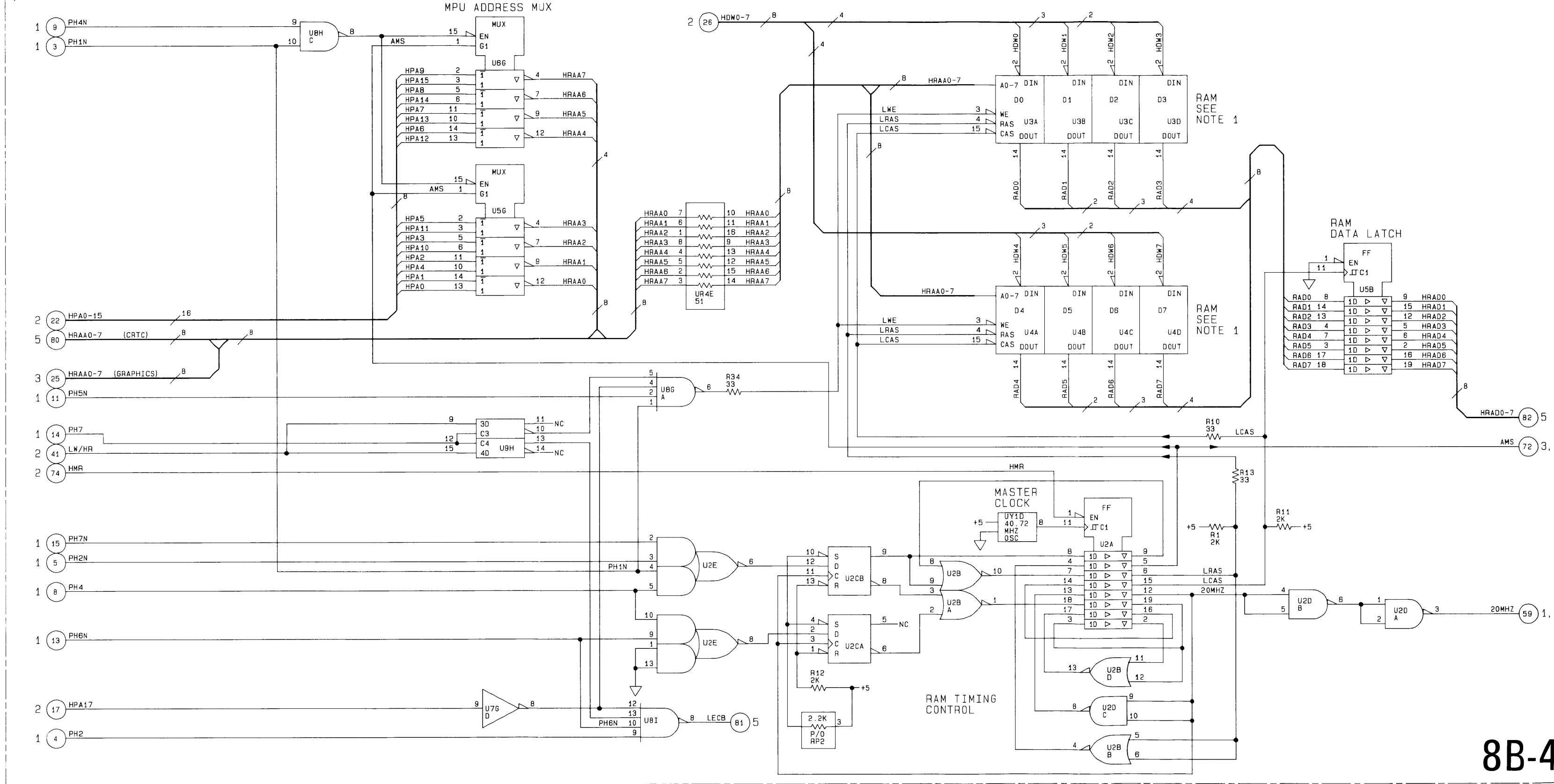
NOTE 1 - RAM Information for U3A-D and U4A-U4D



**PARTS ON THIS SCHEMATIC**

|   |  |
|---|--|
| U2A-E, 3A-D, 4A-D,<br>U5B, G, 6G, 7G,<br>U8G-I, 9H<br>R1, 10-13, 34<br>RP2<br>UR4E AND UY1D |  |
|---|--|

**P/O CPU BOARD - RAM TIMING**



**8B-4**

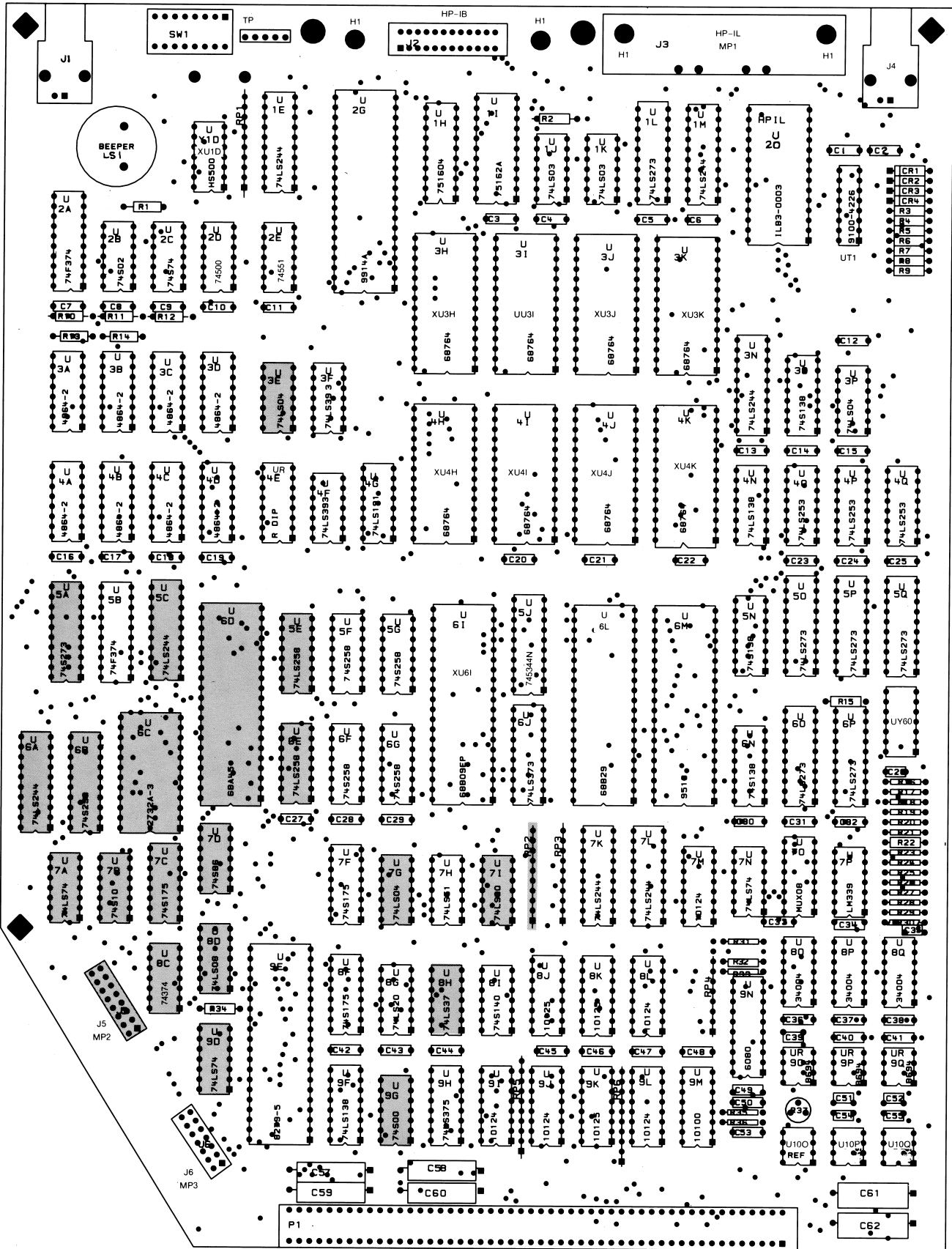
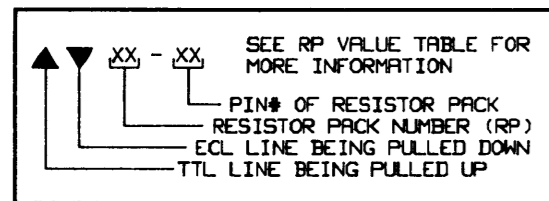


Figure 8B-11. CPU Component Locator (5 of 7)

**IC DEVICE  
POWER CONNECTIONS**

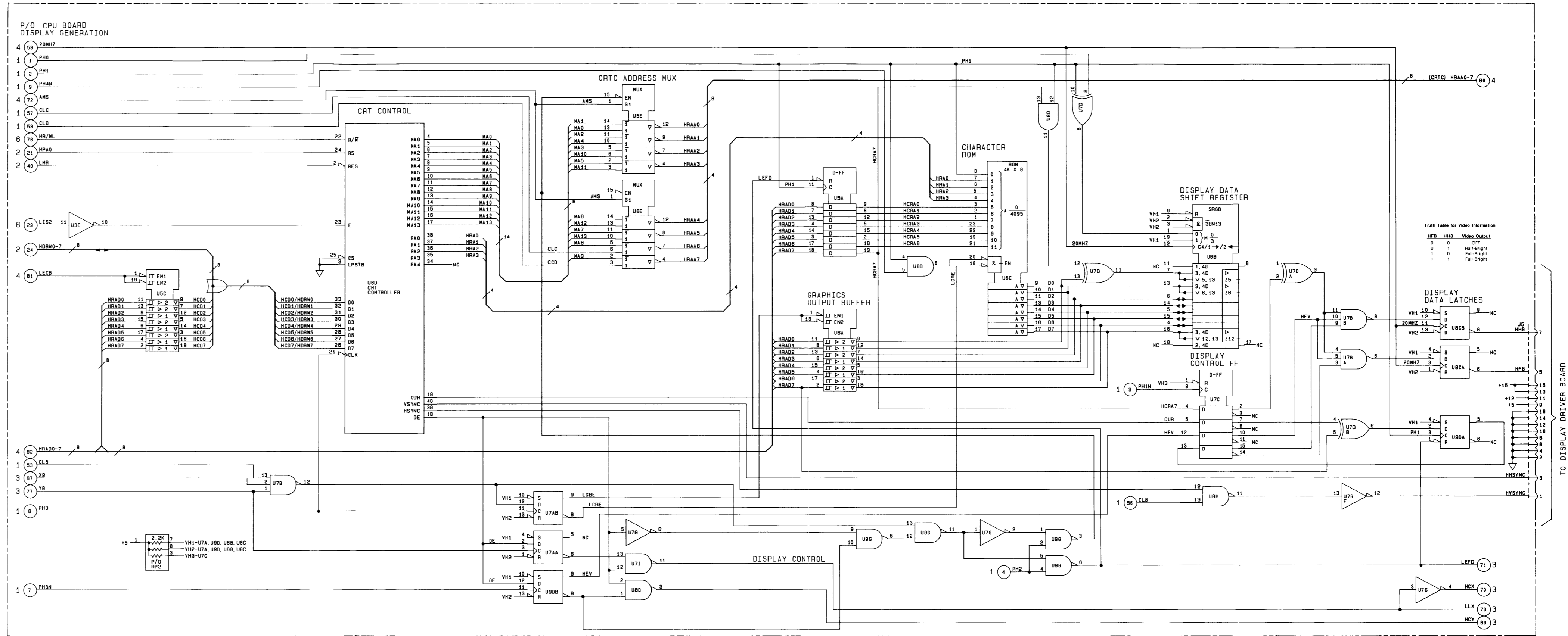
| SUPPLY | PIN NO. | IC GROUP                                 |
|--------|---------|--|
| +5     | 14      | U3E, 7A, B, D, G, I,<br>U8C, D, H, 9D, G |
| GND    | 7       |  |
| +5     | 20      | U5A, C, 6A, B                            |
| GND    | 10      |  |
| +5     | 16      | U5E, 6E, 7C                              |
| GND    | 8       |  |
| +5     | 24      | U6C                                      |
| GND    | 12      |  |
| +5     | 20      | U6D                                      |
| GND    | 1       |  |

**RESISTOR PACK DESCRIPTIONS:**



**PARTS ON THIS SCHEMATIC**

|  |  |
|--|--|
| U3E, 5A, C, E, 6A-E,<br>U7A-D, G, I, 8C, D, H,<br>U8D, G |  |
| P/O<br>RP2   |  |





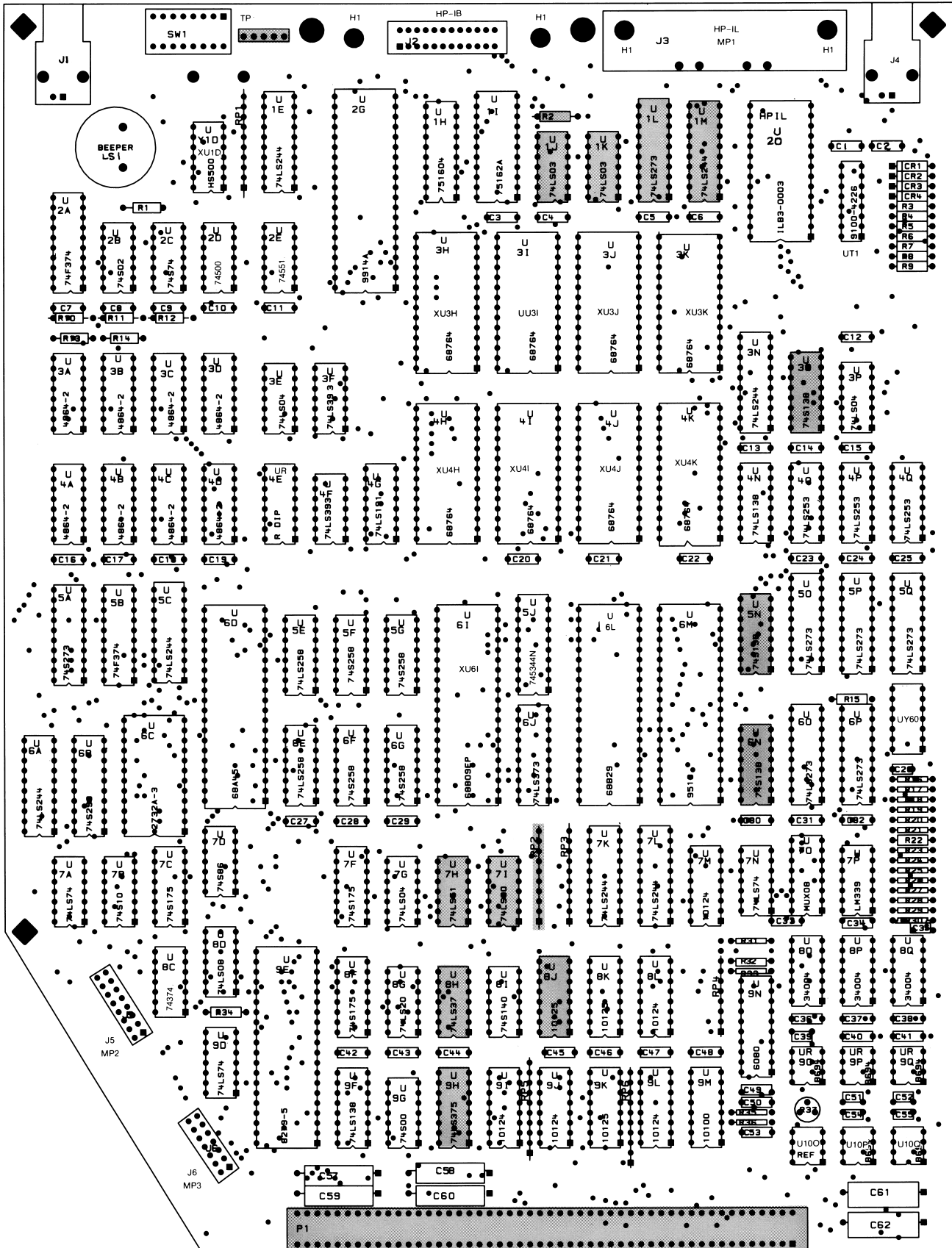
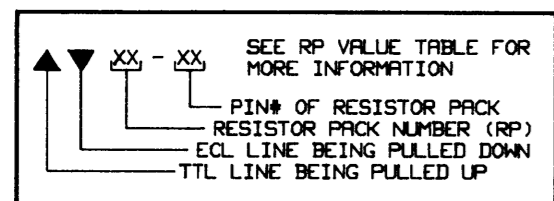


Figure 8B-11. CPU Component Locator (6 of 7)

**IC DEVICE  
POWER CONNECTIONS**

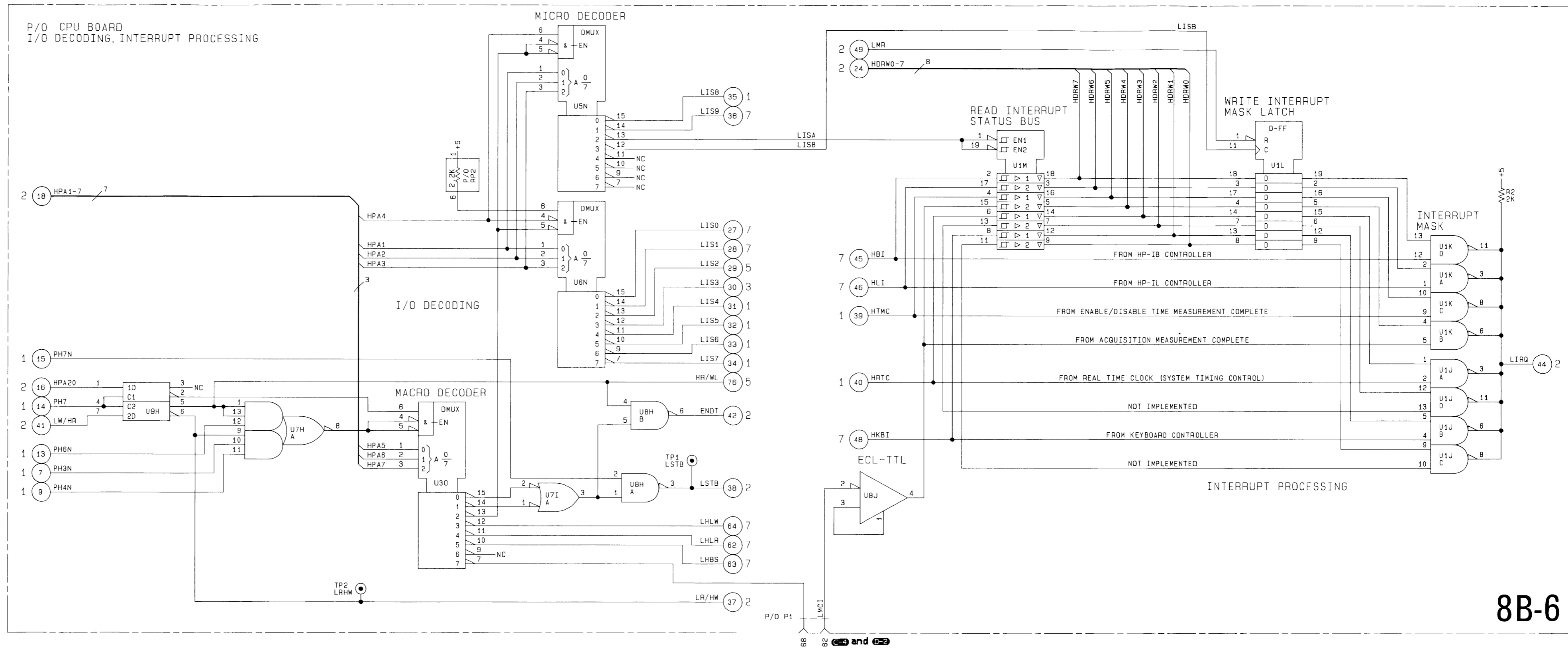
| SUPPLY            | PIN NO.      | IC GROUP      |
|-------------------|--------------|---------------|
| +5<br>GND         | 14<br>7      | U1J,K,7H,I,8H |
| +5<br>GND         | 20<br>10     | U1L,1M        |
| +5<br>GND         | 16<br>8      | U30,5N,6N,9H  |
| +5<br>-5,2<br>GND | 9<br>8<br>16 | U8J           |

**RESISTOR PACK DESCRIPTIONS:**



**PARTS ON THIS SCHEMATIC**

|  |  |
|--|--|
| U1J-M, 30, 5N, 6N,<br>U7H, I, 8H, J, 9H<br>R2<br>RP2<br>TP1, 2 |  |
|--|--|



**8B-6**

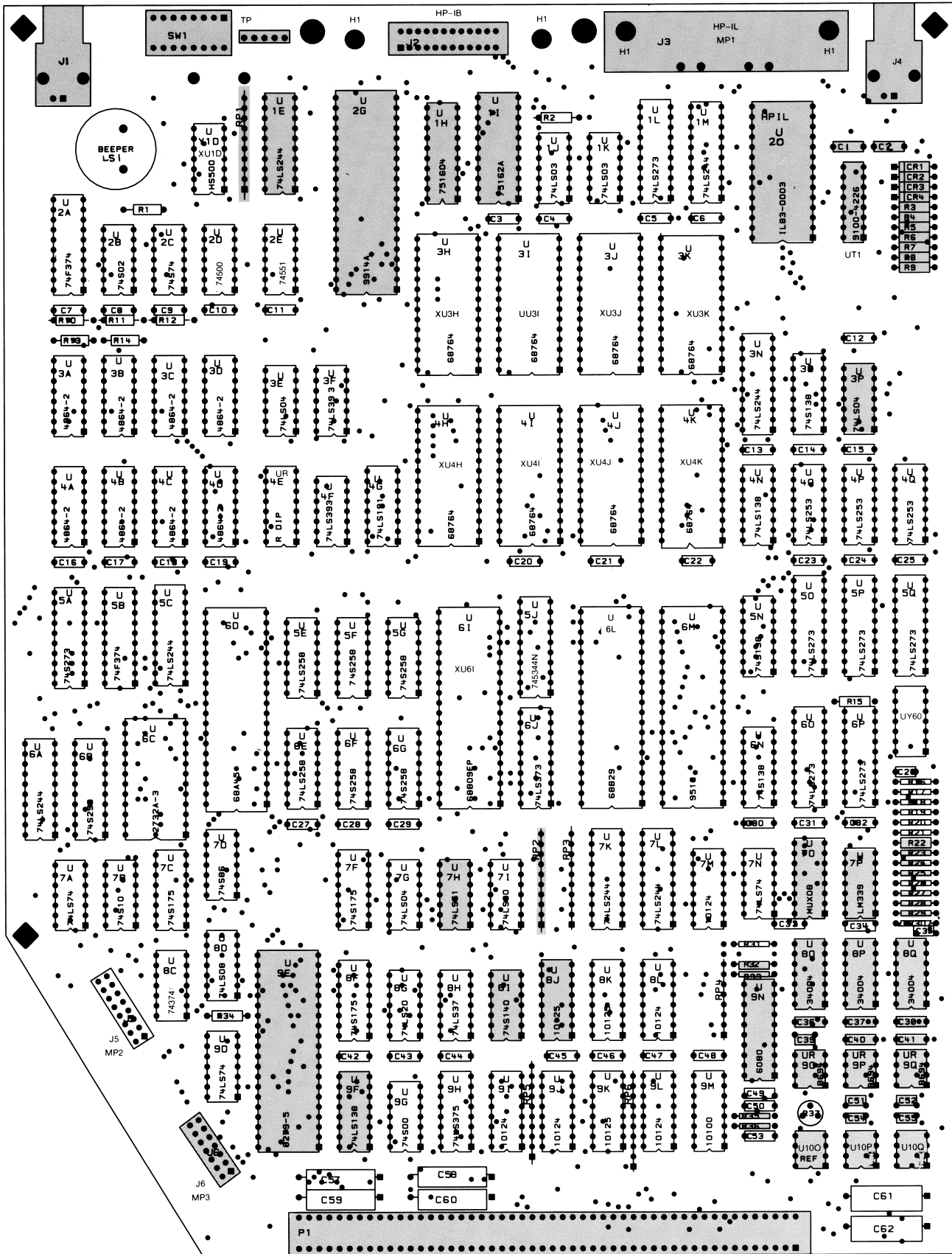
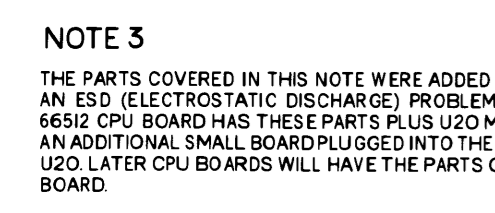
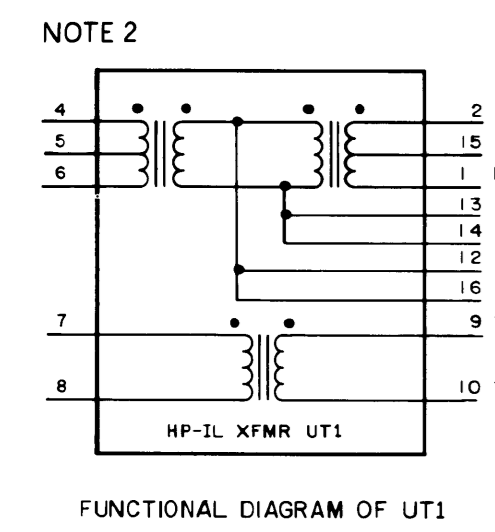
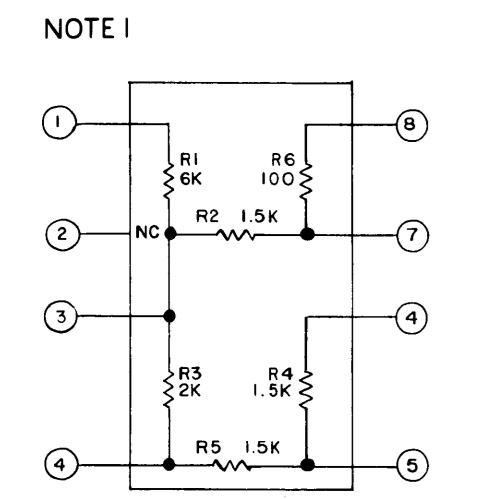


Figure 8B-11. CPU Component Locator (7 of 7)

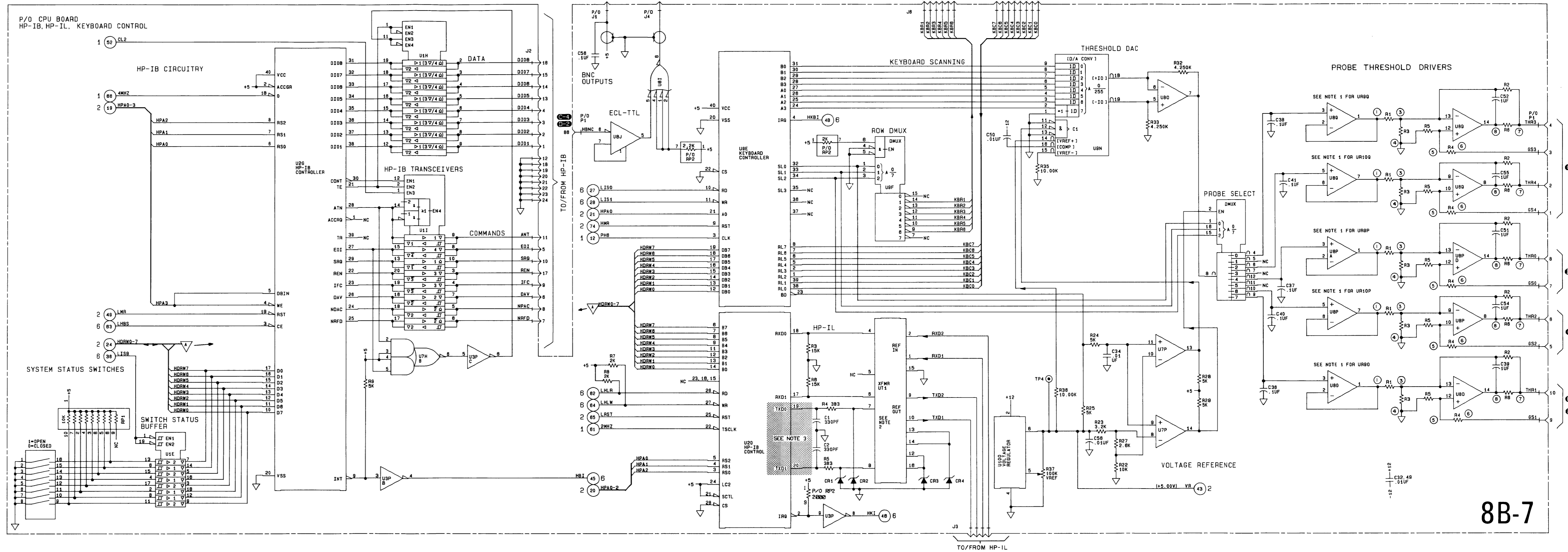


**IC DEVICE POWER CONNECTIONS**

| SUPPLY | PIN NO. | IC GROUP    |
|--------|---------|-------------|
| +5     | 20      | U1E, 1H     |
| +5     | 14      | U3P, 7H, 8I |
| +5     | 9       | U8J         |
| -5, 2  | 8       |             |
| GND    | 16      |             |
| +12    | 20      | U9N         |
| -12    | 17      |             |
| GND    | 10      |             |
| +5     | 22      | U1I         |
| GND    | 11      |             |
| +5     | 40      | U2G, 9E     |
| GND    | 20      |             |
| +12    | 13      | U70         |
| -12    | 3       |             |
| GND    | 14      |             |
| +12    | 3       | U7P         |
| GND    | 12      |             |
| +12    | 4       | U80, 8P, 8Q |
| -12    | 11      |             |
| +5     | 16      | U9F         |
| GND    | 8       |             |
| +12    | 2       | U100        |
| GND    | 4       |             |
| +5     | 1       | U20         |
| GND    | 10      |             |

**RESISTOR PACK DESCRIPTIONS:**

| PARTS ON THIS SCHEMATIC           |                        |
|-----------------------------------|------------------------|
| C1, 2, 32, 34, 36-41, 49-56       | TP4                    |
| CR1-4                             | UR90, 9D, 9Q, 10P, 10Q |
| UT1                               | UT1                    |
| J1-4, 6                           | U1E, H, I, 2G, O, 3P,  |
| R3-9, 22-25, 27-29, 32, 33, 35-37 | U7H, O, P, 8I, J,      |
| RP1, 2                            | U80-O, 9E, F, N,       |
| SN1                               | U100                   |



**8B-7**

Figure 8B-12. CPU Schematic (7 of 8)  
8B-55

Model 1630A/D/G-Service Group 8B

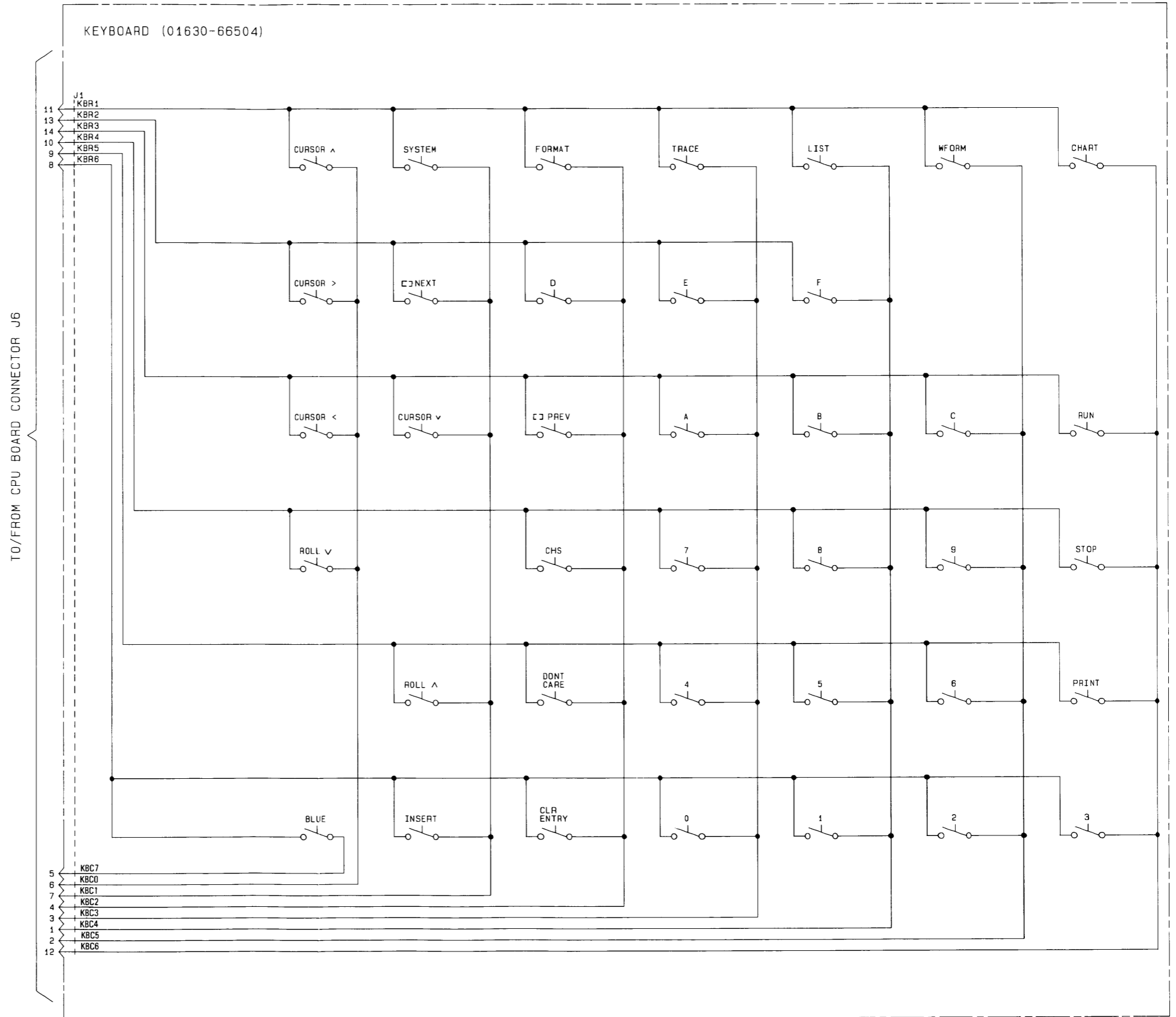


Figure 8B-12. CPU Schematic (Keyboard)(8 of 8)

## Service Group 8C Table of Contents

| Paragraph | Page  |
|-----------|---|
| 8C-1.     | Introduction . . . . . 8C-1                         |
| 8C-2.     | State Block Theory . . . . . 8C-1                   |
| 8C-3.     | Theory of Operation . . . . . 8C-5                  |
| 8C-4.     | State Pods & Pod Interface . . . . . 8C-5           |
| 8C-5.     | Acquisition Memory . . . . . 8C-5                   |
| 8C-6.     | Memory Address Counter . . . . . 8C-5               |
| 8C-7.     | Wrap-Around Flip-Flop . . . . . 8C-5                |
| 8C-8.     | Pattern Recognition RAM . . . . . 8C-7              |
| 8C-9.     | Sequencer . . . . . 8C-9                            |
| 8C-10.    | Arm Control Flip-Flops . . . . . 8C-11              |
| 8C-11.    | State/Timing Flip-Flop . . . . . 8C-11              |
| 8C-12.    | Tracepoint One-Shot . . . . . 8C-11                 |
| 8C-13.    | BNC Latch . . . . . 8C-11                           |
| 8C-14.    | Poststore Counter . . . . . 8C-13                   |
| 8C-15.    | Occurrence Counter and Load Latches . . . . . 8C-14 |
| 8C-16.    | Clock Selection . . . . . 8C-16                     |
| 8C-17.    | Clock Delay and Width Control . . . . . 8C-19       |
| 8C-18.    | Clock Control . . . . . 8C-19                       |
| 8C-19.    | CPU Interface . . . . . 8C-20                       |
| 8C-20.    | Mnemonics . . . . . 8C-21                           |

### List of Illustrations

| Figure |   | Page  |
|--------|---|-------|
| 8C-1.  | 1630A/D Acquisition System . . . . .          | 8C-3  |
| 8C-2.  | State Pattern Recognition RAM. . . . .        | 8C-6  |
| 8C-3.  | Acquisition Pattern Recognition . . . . .     | 8C-6  |
| 8C-4.  | Sequencer . . . . .                           | 8C-8  |
| 8C-5.  | Trace Format Example. . . . .                 | 8C-10 |
| 8C-6.  | State Diagram Example . . . . .               | 8C-10 |
| 8C-7.  | Sequencer Signals . . . . .                   | 8C-10 |
| 8C-8.  | Poststore Counter . . . . .                   | 8C-12 |
| 8C-9.  | Occurrence Counter and Load Latches . . . . . | 8C-14 |
| 8C-10. | Sequence Flow Chart . . . . .                 | 8C-15 |
| 8C-11. | J, K, or L Clock Path. . . . .                | 8C-16 |
| 8C-12. | Clock Selection. . . . .                      | 8C-17 |
| 8C-13. | Clock Delay and Width Control . . . . .       | 8C-18 |
| 8C-14. | State Pod . . . . .                           | 8C-25 |
| 8C-15. | State Board Component Locator . . . . .       | 8C-26 |
| 8C-16. | State Schematics . . . . .                    | 8C-27 |

### List of Tables

| Table |                     | Page  |
|-------|---------------------|-------|
| 8C-1. | Mnemonics . . . . . | 8C-21 |

# SERVICE GROUP 8C

## STATE MASTER

### 8C-1. INTRODUCTION

The following paragraphs highlight the features of the State Acquisition Board.

1. **SAMPLING.** The state board accepts 27 channels from three pods. The timing master and optional timing slave may also be run in state mode, adding either 8 or 16 more state channels.
2. **SAMPLE RATE.** Sampling is synchronous with the user system in a state analysis system. The maximum sample rate for a single clock is 25 MHz.
3. **PATTERN RECOGNITION.** The analyzer may be programmed before a run to look for a combination of highs or lows on the parallel 27-bit input word. The 1630 will allow up to four different patterns to be specified.
4. **SEQUENCE.** The operator may specify that a particular sequence of patterns must occur before the analyzer can trigger. Up to four sequence terms are allowed.
5. **OCCURRENCE.** The operator may specify that the last sequence pattern must repeat a certain number of times. Up to 59999 occurrences can be specified.
6. **TRACEPOINT.** Trigger plus delay--A valid trigger pattern has been detected and any qualifications such as delay, occurrence, and sequence have been satisfied.
7. **POSTSTORE.** The operator may specify tracepoint position in memory. The choices are Start, Center, or End.

### 8C-2. STATE BLOCK THEORY (See Figure 8C-1)

**POD INTERFACE.** Input data from up to three 9-bit pods is taken at the user's sample rate. Each pod has its own clock, one or more of which may be chosen as the synchronous state sample clock.

**ACQUISITION MEMORY.** Width is 28 to accommodate the 27 input data channels--one bit in each word is allocated for possible tracepoint. Depth is 1024 on each channel.

**MEMORY ADDRESS COUNTER.** Holds the address of the next location in acquisition memory to be filled. The CPU uses the memory address counter to find the position of tracepoint in memory.

**PATTERN RECOGNITION RAM.** Input width is 27 bits and output width is 4 bits. The CPU pre-loads the RAM so that a particular 27-bit data pattern will address a 4-bit word corresponding to one of the four specified patterns.

**SEQUENCER.** Determines the next analyzer state after receiving current status from the occurrence counter and pattern recognition RAM. The CPU preloads the sequencer RAM to implement the State Trace Specification sequence.



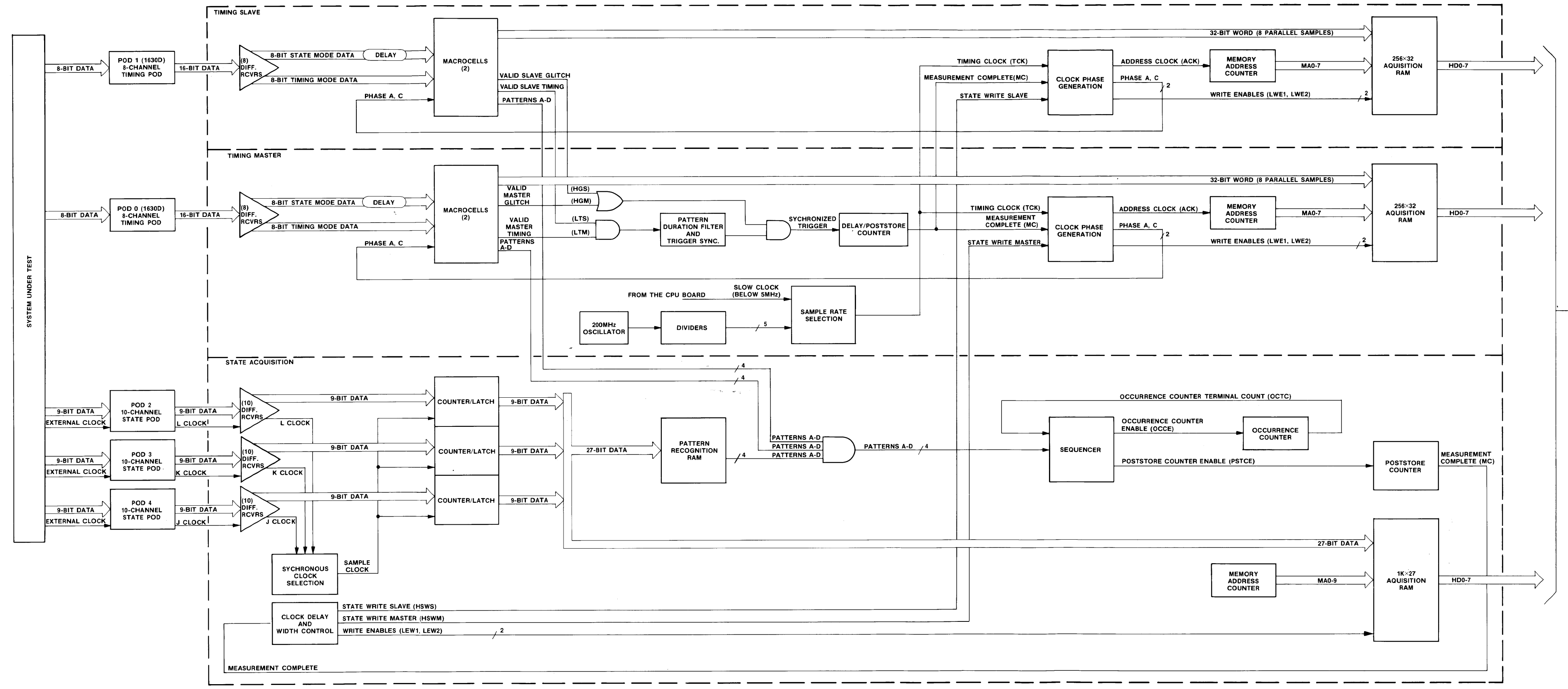
**CLOCK SELECTION.** Synchronizes data sampling to one or more user clocks. Selects edges and master/slave clocking for multiplexed buses.

**OCCURRENCE COUNTER.** Counts pattern occurrences. The counter is preloaded by the CPU with up to 59999 occurrences. Terminal count goes to the sequencer.

**POSTSTORE COUNTER.** Determines tracepoint position in memory. The counter is preloaded by the CPU with the amount of memory to be filled with new data after tracepoint.

**CLOCK DELAY/WIDTH CONTROL.** Allows adjustment of the state analyzer internal write cycle timing.

**CPU INTERFACE.** Allows the CPU to read the memory address counter, the poststore counter, and stored data. Also enables the CPU to clock various state analyzer functions.



BD0006

Figure 8C-1. 1630A/D Acquisition System  
8C-3

## **8C-3. THEORY OF OPERATION**

### **8C-4. State Pods and Pod Interface** (see schematic 8C-1)

Three pods (2, 3, 4) each supply nine channels and one clock to the line receivers. The operator may choose any one--or an ORed combination--of the three clocks (J,K,L) to synchronize incoming data.

Twenty-seven channels are allocated for state analysis alone. Additionally, the master and optional slave Timing Boards can each supply eight channels, making possible a total width of 43 State channels.

The nine channels from each pod go from line receivers into 4-bit counters (U2B, U2C, 2E-2I). The counters act as sample latches during a run, or as binary counters for programming Pattern Recognition RAM before a run.

The CPU board supplies ground sensing and precision thresholds to each pod via the motherboard.

### **8C-5. Acquisition Memory** (see schematic 8C-2)

The acquisition RAM is organized as 28 bits wide by 1024 words deep--27 bits for data storage, with 1 bit in each word to indicate tracepoint location. The 27 data channels are written into memory in parallel. When the write signals (LWE 1,2) are false, or high, the CPU may read the RAM.

An octal latch (U3N) selects 1K x 8 blocks of RAM for reading, or all blocks for writing.

### **8C-6. Memory Address Counter** (see schematic 8C-2)

The MAC consists of three 4-bit counters of which ten bits are used. The CPU reads the MAC to determine tracepoint position in memory.

### **8C-7. Wrap-Around Flip-Flop** (see schematic 8C-2)

The Wrap-Around Flip-Flop signals that memory has been filled at least once when it receives terminal count from the MAC. This tells the CPU that the memory is filled with valid data.

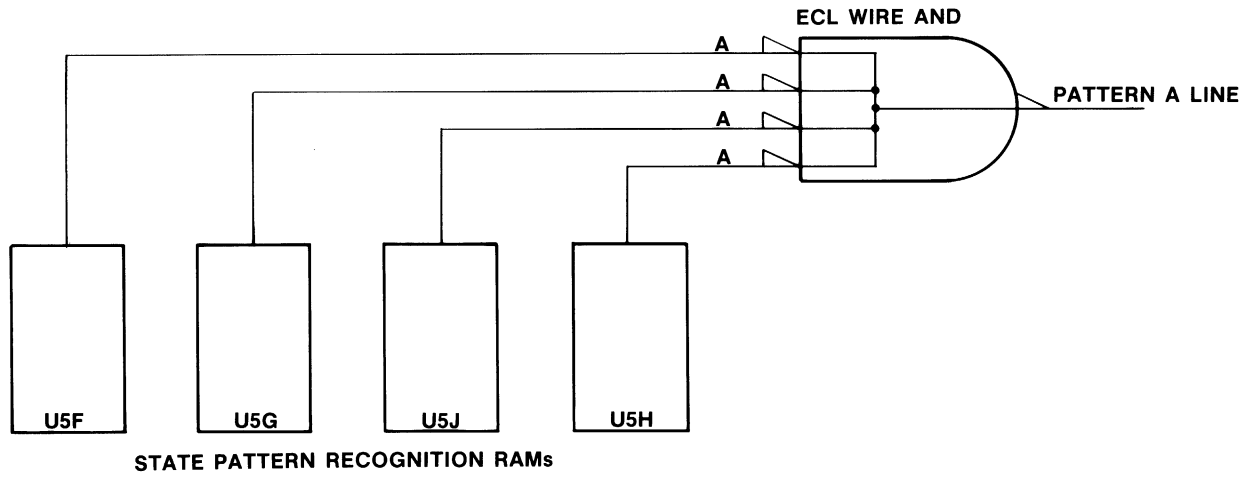


Figure 8C-2. State Recognition RAM

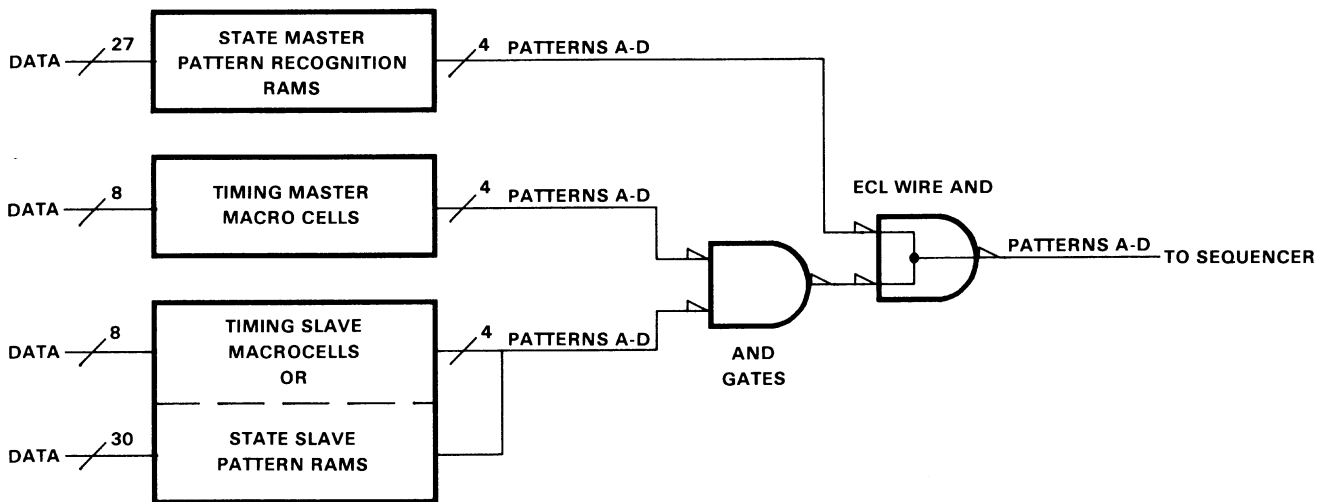


Figure 8C-3. Acquisition Pattern Recognition

## 8C-8. Pattern Recognition RAM (see schematic 8C-3)

Pattern Recognition RAM consists of three 256 x 4 ECL RAM chips and one 16 x 4 RAM chip connected in parallel, allowing an addressing width of 28 bits. Input width is 27 bits--since one of the address lines is not used--and output width is 4 bits. The 27-bit incoming sample from the data pods addresses Pattern Recognition RAM. The four bits from each RAM location go out over the pattern lines, LPAT A-D, to the sequencer.

Before a run, the CPU pre-loads each 4-bit RAM location. During a run, when a RAM location is addressed by the incoming sample, its four bits are output on the four pattern lines A-D. When one or more of these four bits is low, the corresponding pattern line will be driven low. A 27-bit incoming data sample that forms a pre-specified pattern of highs, lows, and don't-cares will address one of those RAM locations that was pre-loaded with at least one low.

For example, if the eight input sample bits to a single RAM chip are 00000000, then the first location will be addressed. If the four bits stored in that location are 1100, then pattern output lines A and B--corresponding to the two lows--from that RAM will try to go low.

However, as shown in figure 8C-2 each of the four output bits from each pattern RAM are ECL wire ANDed (ECL outputs may be connected together like open-collector TTL outputs). Thus, a pattern line can be active only when all four RAMs have a low on the same output.

As shown in figure 8C-3, four pattern lines also come into the state board from the timing master and timing slave boards. When the timing boards are in the state mode, their macrocells act like pattern recognition RAM. The four pattern lines from the timing boards are wire ANDed with the four state pattern lines. Thus, for a single pattern line to be driven low, the two timing boards and all four RAM chips on the state board must agree. (When a timing board is not in the state mode, its pattern lines will be normally low.)

If more than one of the pattern lines is low at the same time, the sequencer will select the one required for the next analyzer state according to the trace specification.

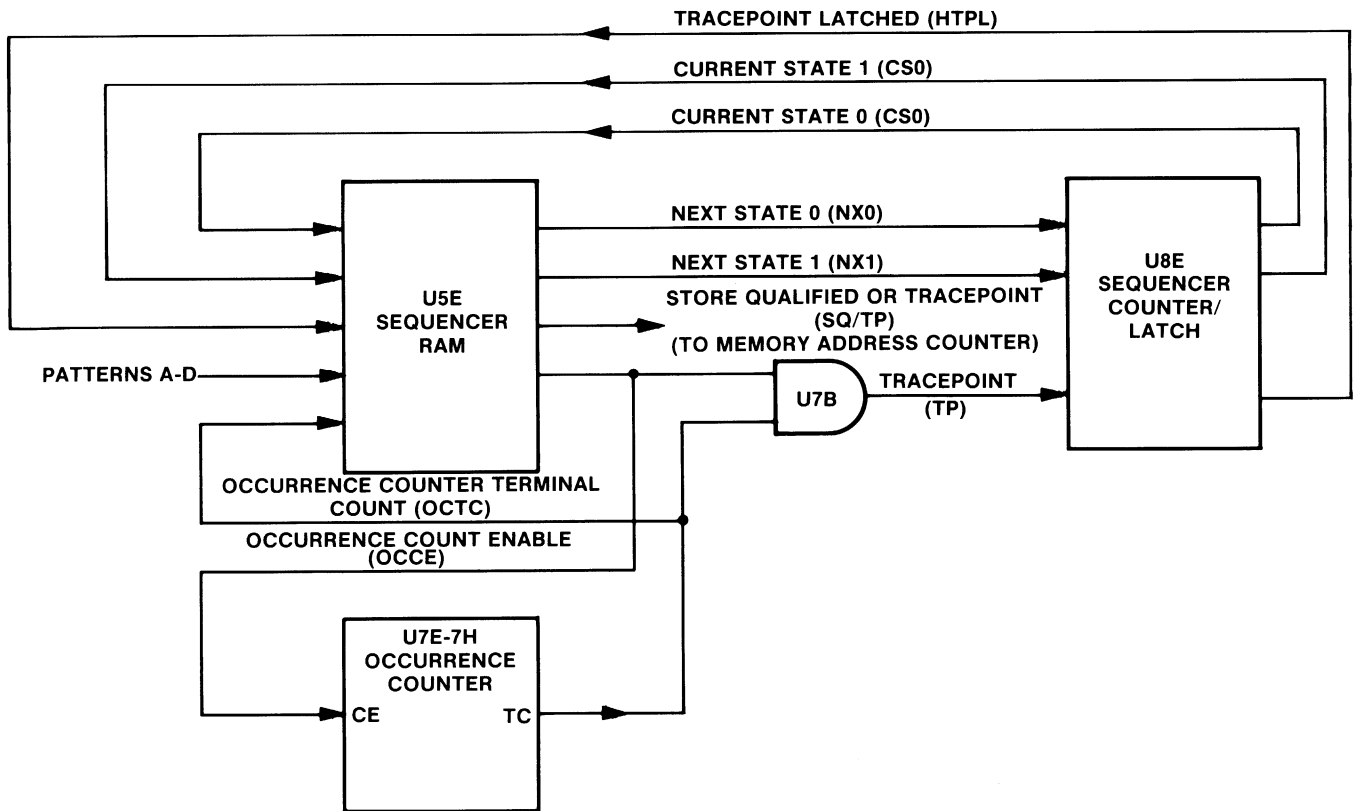


Figure 8C-4. Sequencer

## 8C-9. Sequencer (See schematic 8B-4)

The CPU programs the sequencer to determine the next state the analyzer will enter. Eight input control bits represent the Current State. Given a set of Current input bits, the sequencer emits six output bits representing the Next State.

The heart of the sequencer is a 4-bit binary counter (U6E) and a 256 x 4 RAM (U5E). Before a run, the counter addresses RAM locations for loading by the CPU. The CPU pre-loads the RAM locations with sequences which will occur when those locations are addressed by the eight input control bits. During a run, the counter acts as a latch for the 2-bit Current State.

Tracepoint is when: (1) The occurrence counter is enabled, and (2) it reaches terminal count. Tracepoint indicates that the specified patterns have been found, and that the last pattern has occurred the correct number of times. The ANDing of Occurrence Counter Enable (OCCE) and Occurrence Counter Terminal Count (OCTC) at U7B produces Tracepoint (TP), which is latched in the sequencer latch (U6E).

SEQUENCER INPUTS. The eight bits that drive the sequencer are:

- a. Patterns A to D from Pattern Recognition RAM.
- b. HOCTC----Occurrence Counter Terminal Count.
- c. HTPL-----Trace Point Latched from the sequencer latch.
- d. CS0,CS1--The 2-bit code representing Current State.

SEQUENCER OUTPUTS. The six sequencer outputs are:

- a. NS0,NS1--The 2-bit code representing Next State.
- b. LOCCE----Occurrence Count Enable, which increments the Occurrence Counter.
- c. LSQ/TP---Store Qualified or Trace Point, which increments the Memory Address Counter, allowing incoming data to be stored.
- d. LPSTCE---Post Store Count Enable, which enables the Poststore Counter.
- e. HSQ3-----Sequence State 3, which the CPU uses for time interval measurements.

Figure 8C-5 on the next page shows an example of sequencer action for one trace format. The operator has directed the analyzer to find pattern A, then pattern B, then pattern C. If these patterns occur in the proper order, the analyzer will then look for ten occurrences of pattern D. If these specifications are satisfied, tracepoint will occur. The analyzer will store the first three sequencer states, tracepoint, and 1K of subsequent data. Tracepoint will be seen on line 0000 at the beginning of the display.

| SEQUENCER STATES | TRACE FORMAT                                    |
|------------------|---|
|                  | [ single ] Trace Mode                           |
|                  | In sequence                                     |
| 0                | find [ a ]                                      |
| 1                | then [ b ]                                      |
| 2                | then [ c ]                                      |
| 3                | then [ start ] Trace at [ 0010 ] Occurrences of |
| 0                | [ d ] then store [ allstates ]                  |
|                  | Sequence Restart on [ no state ]                |

Figure 8C-5. Trace Format Example

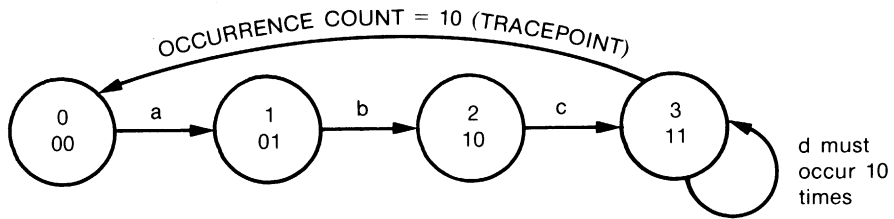


Figure 8C-6. State Diagram Example

| SEQUENCER STATES | SEQUENCER INPUTS |     |     |     |     |     |     |     | SEQUENCER OUTPUTS      |     |      |      |   |
|------------------|------------------|-----|-----|-----|-----|-----|-----|-----|------------------------|-----|------|------|---|
|                  | CS1              | CS0 | TPL | TC  | [a] | [b] | [c] | [d] | NX1                    | NX0 | OCCE | SQTP |   |
| 0                | 0                | 0   | 0   | 0   | 0   | 0   | 0   | 0   | 0                      | 0   | 0    | 0    |   |
| ...              | ...              | ... | ... | ... | ... | ... | ... | ... | ...                    | ... | ...  | ...  |   |
| 0                | 0                | 0   | 0   | 0   | 1   | 0   | 0   | 0   | 0                      | 1   | 0    | 1    |   |
| ...              | ...              | ... | ... | ... | ... | ... | ... | ... | ...                    | ... | ...  | ...  |   |
| 1                | 0                | 1   | 0   | 0   | 0   | 1   | 0   | 0   | 1                      | 0   | 0    | 1    |   |
| ...              | ...              | ... | ... | ... | ... | ... | ... | ... | ...                    | ... | ...  | ...  |   |
| 2                | 1                | 0   | 0   | 0   | 0   | 0   | 1   | 0   | 1                      | 1   | 0    | 1    |   |
| ...              | ...              | ... | ... | ... | ... | ... | ... | ... | ...                    | ... | ...  | ...  |   |
| 3                | 1                | 1   | 0   | 0   | 0   | 0   | 0   | 1   | } d occurs n-1 times { | 1   | 1    | 1    | 0 |
| ...              | ...              | ... | ... | ... | ... | ... | ... | ... |                        | 1   | 1    | 1    | 0 |
| ...              | ...              | ... | ... | ... | ... | ... | ... | ... | ...                    | ... | ...  | ...  |   |
| ...              | ...              | ... | ... | ... | ... | ... | ... | ... | ← d occurs 10 times →  | 0   | 0    | 1    | 1 |
| ...              | ...              | ... | ... | ... | ... | ... | ... | ... | ...                    | ... | ...  | ...  |   |
| 0                | 0                | 0   | 1   | 0   | 0   | 0   | 0   | 0   | 0                      | 0   | 0    | 1    |   |

Figure 8C-7. Sequencer Signals



The state diagram, figure 8C-6, shows the flow from one sequencer state to the next. The 2-bit Current State code (CS0,CS1) indicates the four possible sequencer states. If one of the terms--for example, C--were not specified in the trace format, the sequencer would jump from state 1 to state 3.

Figure 8C-7 shows the sequencer input and output signals when the events specified in the above trace format occur. The sequencer Current State is given by CS0 and CS1. As can be seen by the Store Qualified signal (SQ/TP), the first three patterns are also stored by the analyzer, even though tracepoint has not yet occurred.

**8C-10. ARM CONTROL FLIP-FLOPS (U1K,7J).** These control the arming of the State analyzer which may either arm or be armed by Timing. The output, LARMEN, enables Occurrence Counter terminal count to the sequencer, and the Next State outputs from the Sequencer. Without occurrence counter terminal count, tracepoint cannot occur.

**8C-11. STATE/TIMING Flip-Flop (U1K).** Selects either State or Timing as the master. When state is the master, both inputs to the AND gate U8D will be high when tracepoint occurs, allowing the state analyzer to arm the timing analyzer via the motherboard (P85).

**8C-12. TRACEPOINT ONE-SHOT (U6J,3M).** Generates a 20 ns pulse when tracepoint occurs. This is provided to the BNC output connector.

**8C-13. BNC LATCH (U8C).** Selects one of four different sequencer outputs to go out to the external BNC connector:

|                          |   |
|--------------------------|---|
| Tracepoint Pulse (U8C-5) | A 20ns negative-going pulse when trace-point occurs.  |
| Timer (U8C-4)            | Low level on Current State 3 (CS0,CS1=1); This is equivalent to HSQ3, which is sent to the CPU for the Overview Time measurement. |
| Tracepoint High (U8C-12) | This BNC output will stay low as long as the analyzer is looking for tracepoint, then go high until another measurement is begun. |
| Tracepoint Low (U8C-10)  | This BNC output will stay high as long as the analyzer is looking for tracepoint, then go low until another measurement is begun. |

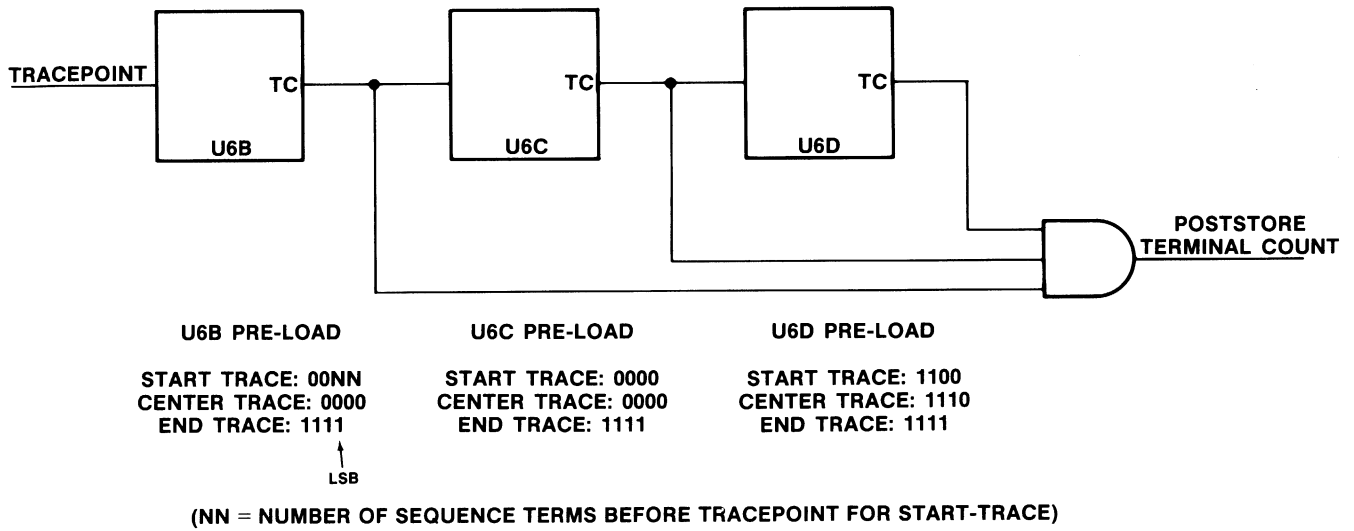


Figure 8C-8. Poststore Counter

**8C-14. Poststore Counter** (See schematic 8B-5)

The state analyzer provides three different measurement techniques:

- Start-Trace**     Memory is completely filled with new data after tracepoint; tracepoint is displayed at the beginning. (If a sequence is specified, the sequence patterns--up to three--will be stored before tracepoint.)
- End-Trace**     Displayed memory consists entirely of pre-tracepoint data; tracepoint is displayed at the end.
- Center-Trace**   Displayed memory consists of half pre-tracepoint data and half post-tracepoint data; tracepoint is displayed in the center.

The poststore counter counts out the amount of data to be stored after a start, center, or end-trace measurement. The poststore counter is enabled by the sequencer (LPSTCE) when tracepoint occurs. The counter is then incremented on every store-qualified state following tracepoint. The following signals must be true:

- LTPL (U6F-3)**     Tracepoint Latched: occurs at occurrence counter terminal count and occurrence counter enable; and stays set.
- LSQ/TP (U6F-12)** Store-qualified or Tracepoint: indicating that data is available for memory storage. This will always be true out of the sequencer when more data is to be post-stored.

During a measurement, the CPU reads the poststore counter's output to determine the number of words to completion of the state measurement. Terminal count from the poststore counter goes to the sequencer where it enables End of Measurement (HEOM) and Measurement Complete (LMC), which stop the data collection process by shutting down the write strobes and the memory address counter, respectively. Measurement Complete signals the CPU via interrupt that the memory is full, and the state measurement is complete.

### 8C-15. Occurrence Counter and Load Latches (see schematic 8B-5)

The occurrence counter (U7E-7H) counts repetitions of the last pattern to be found. Although up to four patterns may be specified, only the last pattern may have an occurrence specification.

When the operator specifies the pattern repetitions required to produce tracepoint, the CPU loads sequencer RAM to recognize that pattern, and presets the occurrence counter with the number of repetitions. Then, whenever that pattern occurs, the sequencer increments the occurrence counter. The sequencer enables the occurrence counter, clocked by the index clock (ICK), on every Occurrence Count Enabled state (LOCCE).

The sequencer is always restarted after every tracepoint. CPU Master Reset (HMR) presets the counter initially during operator setup. Whenever tracepoint occurs, the sequencer restarts, going to Sequence State Zero, and begins looking for the original sequence again.

Immediately after tracepoint is found, or before the sequencer is restarted, the next sequencer state will be 0. This is decoded by U7B as HPE, which reloads the occurrence counter to the original preset value. The Load Latches (U8E-8H) store the original occurrence counter preset value, allowing the counter to be reloaded after every tracepoint or sequence restart. This is so the tracepoint pulse can be continually sent out over the BNC after it is found the first time.

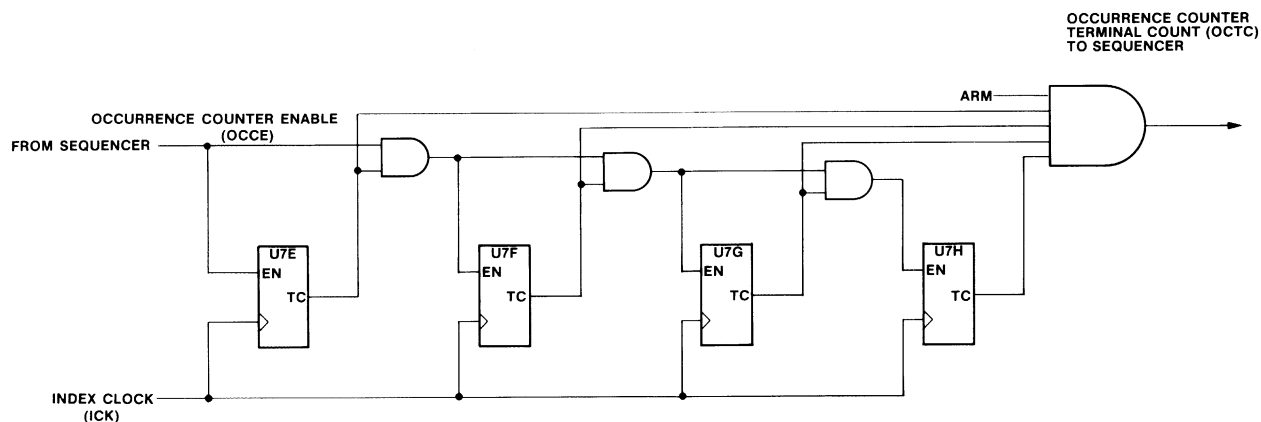


Figure 8C-9. Occurrence Counter and Load Latches

Tracepoint is the ANDing of LOCCE and LOCTC. That is, the occurrence counter must be enabled and it must reach terminal count for tracepoint to occur. All the other sequence terms must be satisfied before the sequencer can begin incrementing the occurrence counter. For example, if three other patterns were specified, the analyzer will look for these before counting the repetitions of the fourth pattern. An occurrence search is always the last process in a sequence. See figure 8C-10 below.

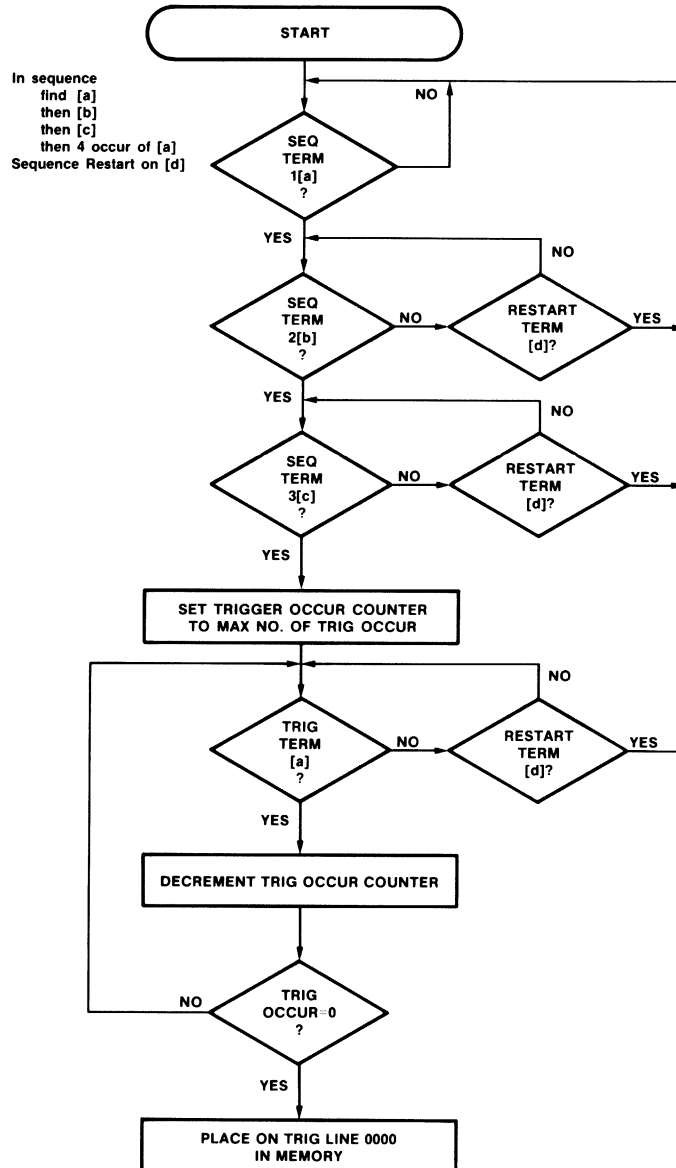


Figure 8C-10. Sequence Flow Chart

### 8C-16. Clock Selection (See schematic 8B-6)

A state analyzer is synchronous: sampling must be in step with the external clock from the system being analyzed.

Each of the three state pods (2,3,4) provides a clock input (L,K,J). The operator selects one or more of these clocks to synchronize the analyzer to the user system. Up to three clocks can be ORed together. For multiplexed user busses, one clock can be chosen as the master and another as the slave. Positive, negative, or both edges of any of these clocks may be selected.

As shown in figure 8C-11 below, each clock input is associated with four flip-flops whose D inputs are loaded by the CPU with the clock and edge selections. For example, if the J clock's negative edge is to be selected as master, the MJN input (U7M-10) will be programmed high. When the J clock transitions from high to low, the flip-flop output (U7M-15) will go high, causing the master one-shot to pulse and reset the flip-flop. The master clock will then consist of pulses whose positive edges are synchronized with the incoming negative J clock from Pod 2.

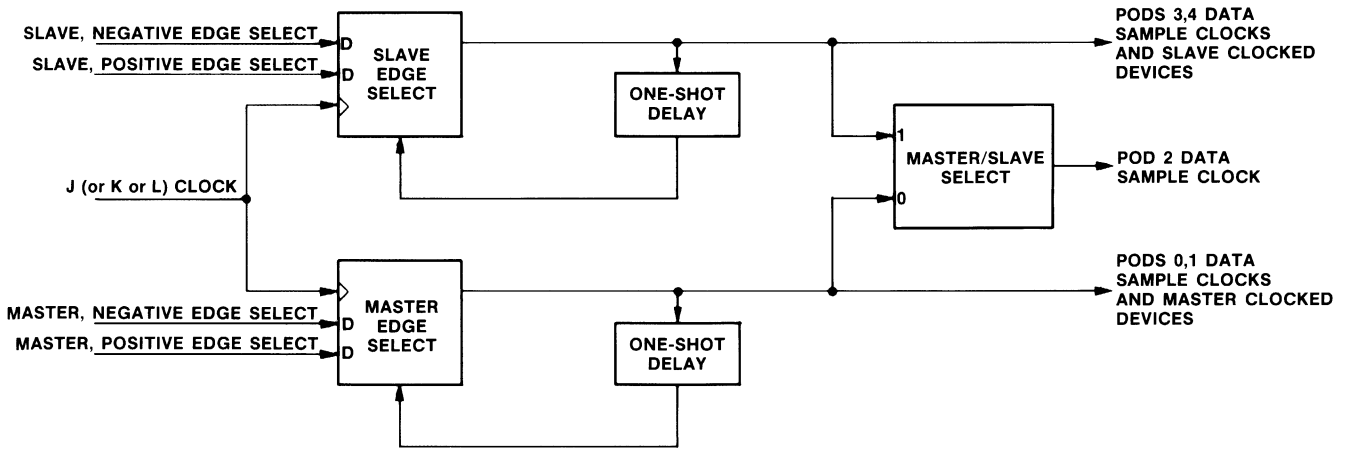


Figure 8C-11. J, K, or L Clock Path

As shown in figure 8C-12 below, any edge of any clock, or an ORed combination, may be chosen as the master or slave. The same clock may be both master and slave if different edges are used. In the non-multiplexed mode both master and slave clocks are identical.

The Delay/Width Control and the Timing Boards--when in the State Mode--are always clocked by the master clock. The Run/Halt Control and the Pod 3 and 4 data latches are always clocked by the slave clock. The Pod 2 data latches may be clocked by either the master or slave.

The Master-Slave Selector (8L) allows the Pod 2 data latches (U2B,2C,2D) to be clocked by the master or the slave clock selections.

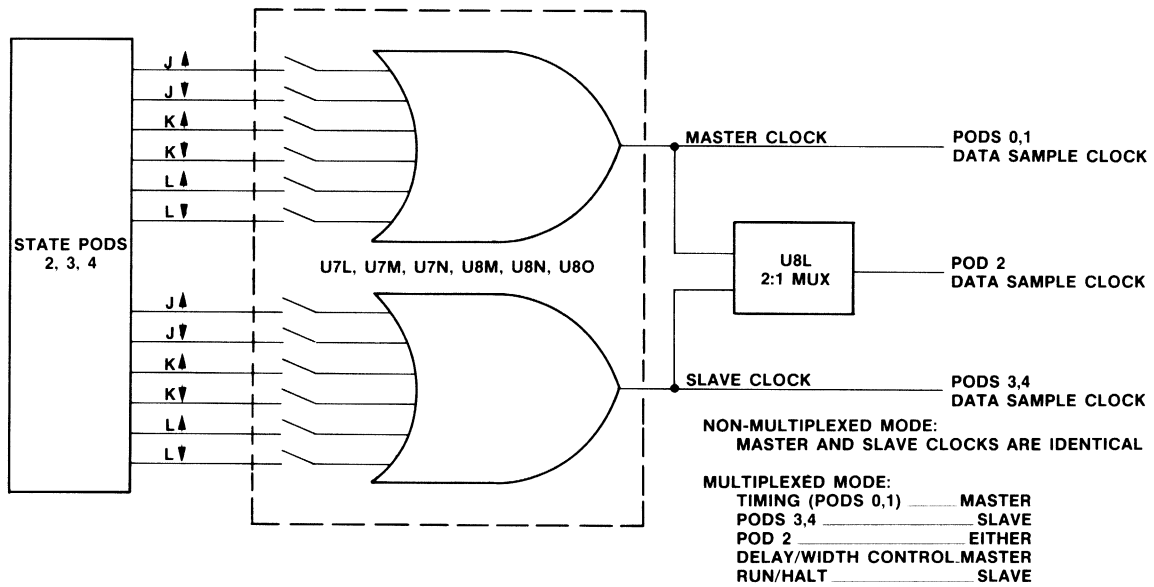


Figure 8C-12. Clock Selection

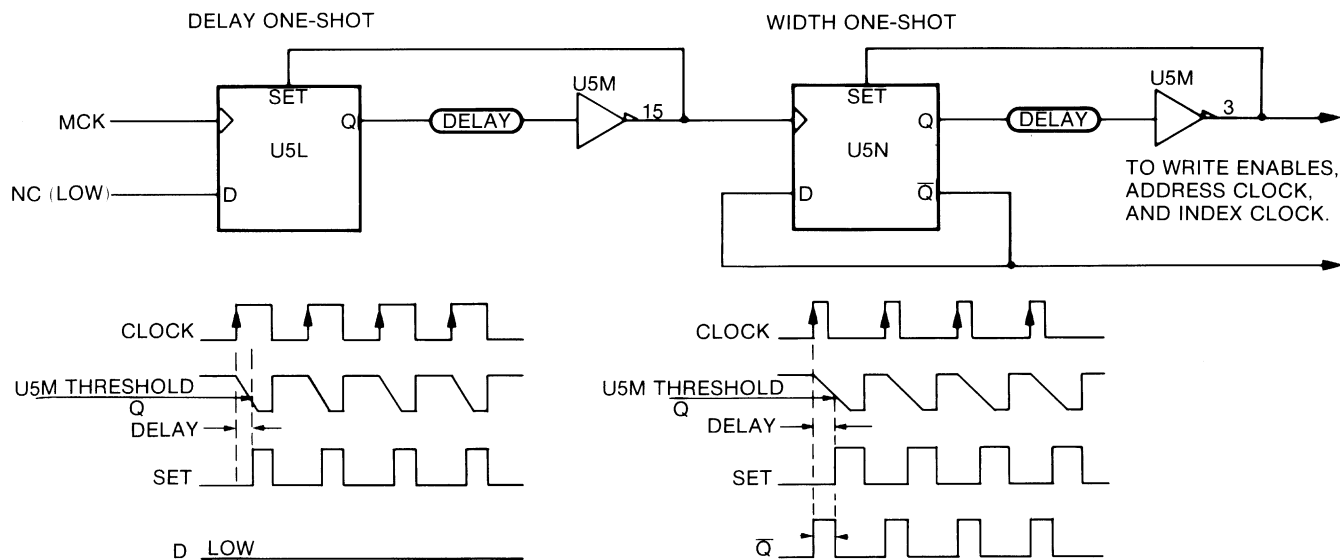


Figure 8C-13. Clock Delay and Width Control



## 8C-17. Clock Delay and Width Control (see schematic 8B-7)

The master clock (MCK) from the clock selector is shaped and delayed by two one-shots, which make up the heart of this circuit.

Clock delay is varied in the Delay One-Shot (U5L,5M). The output of the delay one-shot is then fed to a Width One-Shot (U5M,5N), which adjusts clock width.

Since both circuits work the same, only the delay one-shot will be described. An ECL output must be pulled down to produce a low. The pulldown for flip-flop U5L-2 is the resistor network R7 and the adjustable R5. Capacitor C4 has a quick charge path through the flip-flop on high-going signals, but must charge through the resistor network for lows. The delay for low-going signals is therefore adjustable.

Figure 8C-13 shows the timing relationship for the circuit. Since disconnected ECL inputs are internally pulled low, the D input is always low. In this type of flip-flop, D is clocked on a positive transition and S is active high. Because of the delay caused by the capacitor, the flip-flop cannot go low immediately. When it does go low the inverter, which has positive feedback, sets the flip-flop again for the next cycle.

## 8C-18. CLOCK CONTROL.

The shaped and delayed clock output eventually becomes four clocks:

- ACK            Address Clock.
- ICK            Index Clock.
- LWE1, LWE2   Write Enable signals for acquisition memory.

ACK increments the memory address counter; ICK increments the occurrence, poststore counters, and the sequencer. The memory address and poststore counters are incremented only for store-qualified states, i.e., when data is to be stored in memory. During programming mode, the CPU substitutes its own clocks, HRDCK and HLDCK for ACK and ICK.

The Write Enable signals, LWE1 and LWE2, enable data acquisition RAM for the storing of data. Except for being delayed by 6ns to allow for RAM hold time, ACK and ICK are similar to the write enable signals.

LRUN, from the RUN/HALT FF (U5L), causes the pod interface counters (U2B- 2I) to go into the preset mode and act like latches, so they can latch in new probe data. When LRUN is high, the pod interface counters act as address counters, allowing the CPU to load Pattern Recognition RAM during programming mode.

## 8C-19. CPU Interface (See schematic 8B-8)

The CPU interface allows the CPU to read the contents of the memory address counter, the post-store counter, and state acquisition memory. Because the CPU loads the contents of state RAM into CPU RAM, it needs to reference data and tracepoint to these counters in order to correctly position the display. Counter and memory information is multiplexed onto the data bus by the Read Selectors (U5A-5D).

The CPU writes to the analyzer, providing clocks and enable signals for different analyzer functions, by means of the Write Strobe Demultiplexer (U1N). The following is a list of the clocks coming out of the demux:

|             |   |
|-------------|---|
| BKCK        | Block Clock. Loads the data storage RAM block selector (U3N).   |
| OCK1,OCK2   | Occurrence Clock. Loads CPU data into occurrence counter latches.   |
| LCCK        | Counter Clock. Enables preset of occurrence and post-store counters.  |
| LP1WE,LP2WE | Pattern recognition RAM write enables.  |
| SLCK        | Loads slave clock edge selector and pod 2 master/slave clock selector. Generates CPU controlled clocks for loading pattern recognition RAM. |
| MSCK        | Loads master clock edge selector.   |

Instead of using the internal clocks, the CPU itself may clock the memory address, occurrence, and post-store counters. HCCK clocks the memory address counter, and HLDCK clocks the post-store and occurrence counters.

The Run Control Latch (U1K) sets the RUN or HALT mode. Its output, HRNCTL, controls LRUN, which enables the pod interface and sequencer latches.

The pre-run and pre-halt signals from U1L control the operation of the BNC output latch (U8C) in the Sequencer.

## 8C–20. MNEMONICS

The following signals, listed in alphabetical order, are used on the State Board. Active high signals have "H" as the first letter; active low signals have "L". All signals on the Timing and State boards are ECL. Worst case voltage levels are as follows: LOW = less than  $-1.50V$ ; HIGH = greater than  $-1.10V$ .

*Table 8C-1. Mnemonics*

| Mnemonic | Description  |
|----------|--|
| ACK      | Address clock to the memory address counters.                  |
| BKCK     | Block clock to the acquisition memory chip selector.           |
| CS0,1    | Two-bit code for the current state used by the sequencer.      |
| DO-7     | Data outputs from acquisition memory.                          |
| GS2-4    | Ground sensing to the three State pods.                        |
| HA0-7    | Motherboard address bus.                                       |
| HARM     | Arm. Allows State to arm Timing, or vice versa.                |
| HBRK 1-3 | Signals to break feedback paths for signature analysis.        |
| HDO-7    | Motherboard data bus.  |
| HEOM     | End of measurement. Stops the memory address counters.         |
| HLDK     | Load clock. CPU clocks the poststore and occurrence counters.  |
| HMR      | Master reset. Resets sample latches and occurrence counter.    |
| HOCTC    | Occurrence counter terminal count.                             |
| HPE      | Preset enable. Presets occurrence counters on Next State 0.    |
| HPREHALT | Pulse that occurs just before a halt.                          |
| HRDK     | Read clock. CPU clocks the memory address counter.             |
| HRDRST   | Read reset. Allows the CPU to cause End of Measurement (EOM).  |
| HRLW     | High read low write. Enables reading and writing to the CPU.   |
| HRUN     | Enables sample and sequencer counters as latches during a run. |

Table 8C-1. Mnemonics (Cont'd)

| Mnemonic | Description  |
|----------|--|
| HSQ3     | Sequencer state 3. Used by CPU for time interval measurements.                               |
| HSWM     | State write enable master. State writes data into Master Timing RAM.                         |
| HSWS     | State write enable slave. State writes data into Slave Timing RAM.                           |
| HTPL     | Tracepoint latched from the sequencer.   |
| ICK      | Index clock. Clocks the occurrence counter, poststore counter, and all sequencing functions. |
| LARMEN   | Arm enable. Enables occurrence counter terminal count.                                       |
| LAM      | } Pattern recognition lines from master and slave timing boards.                             |
| LAS      |  |
| LBM      |  |
| LBS      |  |
| LCM      |  |
| LCS      |  |
| LDM      |  |
| LDS      |  |
| LMC      | Measurement complete. Stops the write-enables to memory.                                     |
| LMF      | Memory-full signal from the memory address wrap-around FF.                                   |
| LOCCE    | Occurrence counter enable. Increments the occurrence counter.                                |
| LPAT A-D | Pattern lines from pattern recognition memory to the sequencer.                              |
| LPRERUN  | Pulse that occurs just before a run.   |
| LPSTC    | Poststore counter terminal count.  |
| LPSTCE   | Poststore counter enable. Increments the poststore counter.                                  |
| LRNCTL   | Run control. Controls HRUN to the sample latches.  |
| LSQTP    | Store Qualified or Tracepoint. Enables data storage in RAM.                                  |
| LSQWE    | Sequencer RAM write enable. Used for programming the sequencer.                              |
| LSTB     | Strobe. Strobes data and status into the CPU from the analyzer.                              |
| LWE1,2   | Write enable signals to acquisition memory.  |

*Table 8C-1. Mnemonics (Cont'd)*

| Mnemonic      | Description   |
|---------------|---|
| MA0-9         | Memory address counter output.                                  |
| MCK           | Master clock. Source of the address and index clocks.           |
| MSCK          | Master select clock. Selects positive or negative edge.         |
| NS0-1         | Two-bit code for the next state from the sequencer.             |
| OCK 1,2       | Enables the occurrence and sequencer latches for programming.   |
| P1WE,<br>P2WE | Write enable signals to pattern recognition RAM.                |
| RUNSEL        | Run select. Selects memory address or poststore outputs to CPU. |
| SCLK 1,2      | Slave clocks to the sample latches.                             |
| SD0-26        | Twenty-seven channel data lines from the sample latches.        |
| SLCK          | Slave select clock. Selects positive or negative edge.          |
| SMCK          | Master clock to the sample latches.                             |
| THR2-4        | Thresholds to the three state pods.                             |

**NOTES.**

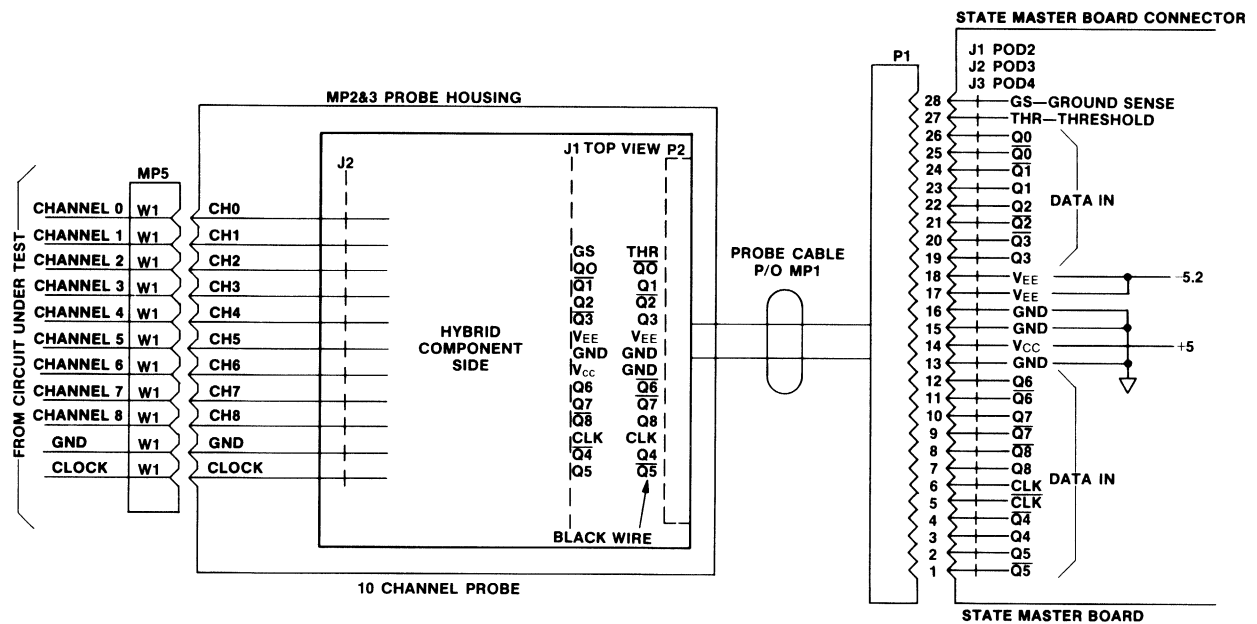


Figure 8C-14. State Pod

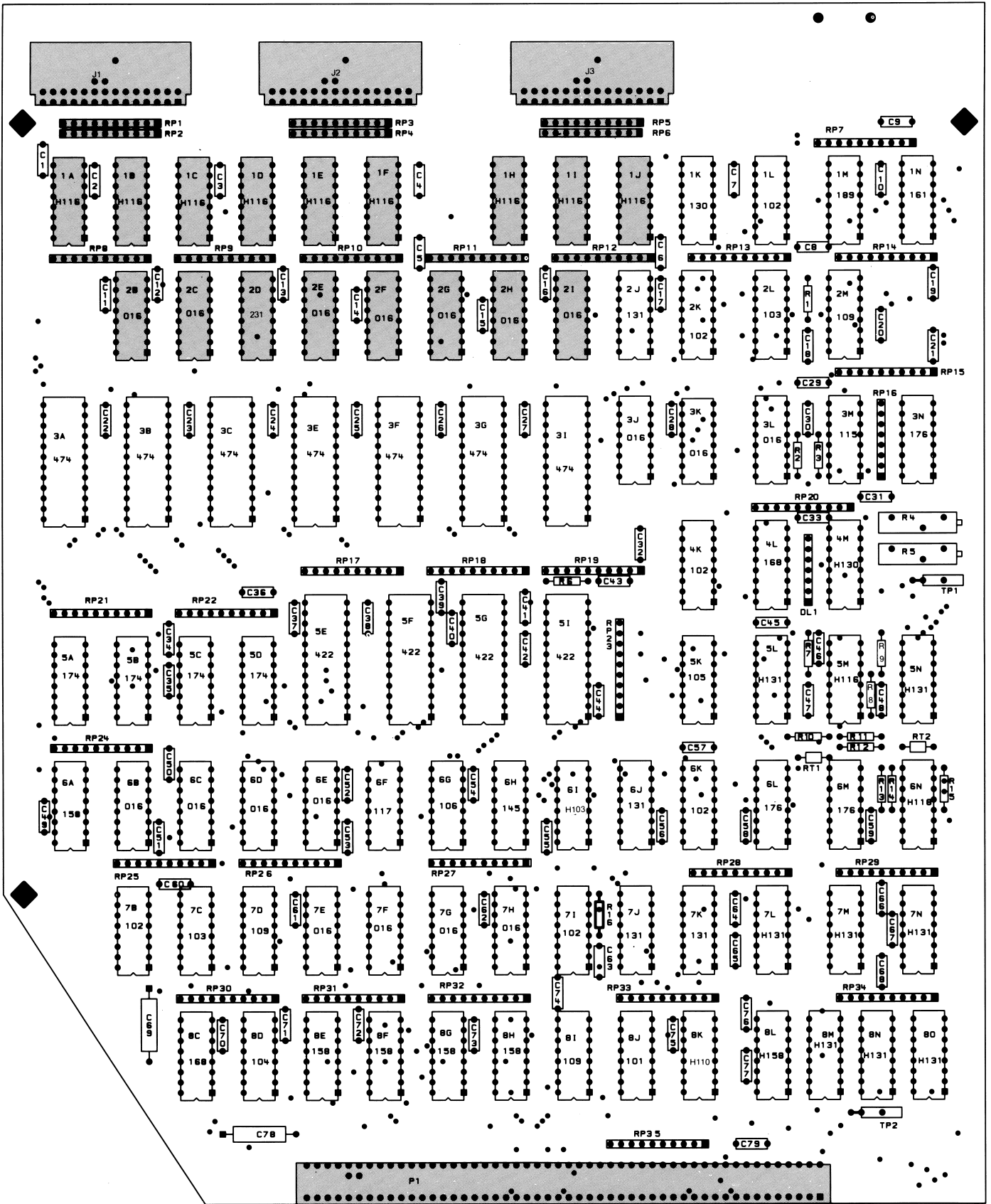


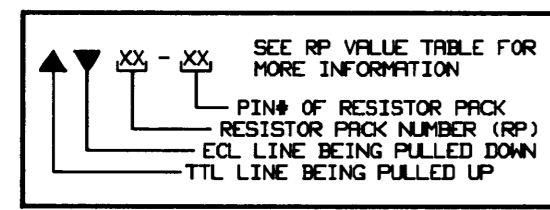
Figure 8C-15. State Board Component Locator



**IC DEVICE POWER CONNECTIONS**

| SUPPLY     | PIN NO. | IC GROUP            |
|------------|---------|---------------------|
| Vcc1 (gnd) | 1       | U1A-F, 1H-J, U2B-21 |
| Vcc2 (gnd) | 16      |                     |
| Vee (-5.2) | 8       |                     |

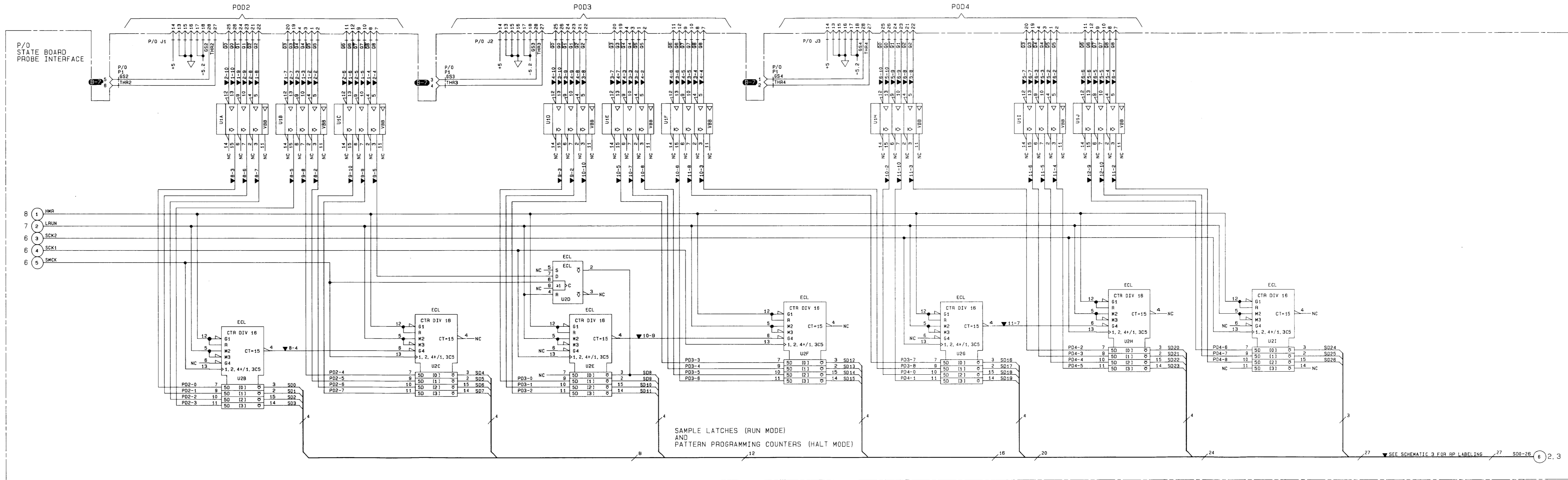
**RESISTOR PACK DESCRIPTIONS:**



| RP#   | RESISTOR VALUE | POWER PIN | VOLTAGE |
|-------|----------------|-----------|---------|
| 1-5   | 338 X 9        | 1         | -5.2    |
| 7-15  | 188 X 9        | 1         | -2.4    |
| 17-35 |                |           |         |

**PARTS ON THIS SCHEMATIC**

|                    |  |
|--------------------|--|
| U1A-F, 1H-J, 2B-1, |  |
| J1, 2, 3           |  |
| RP1-6, 8-12        |  |
| J1, 2, 3           |  |



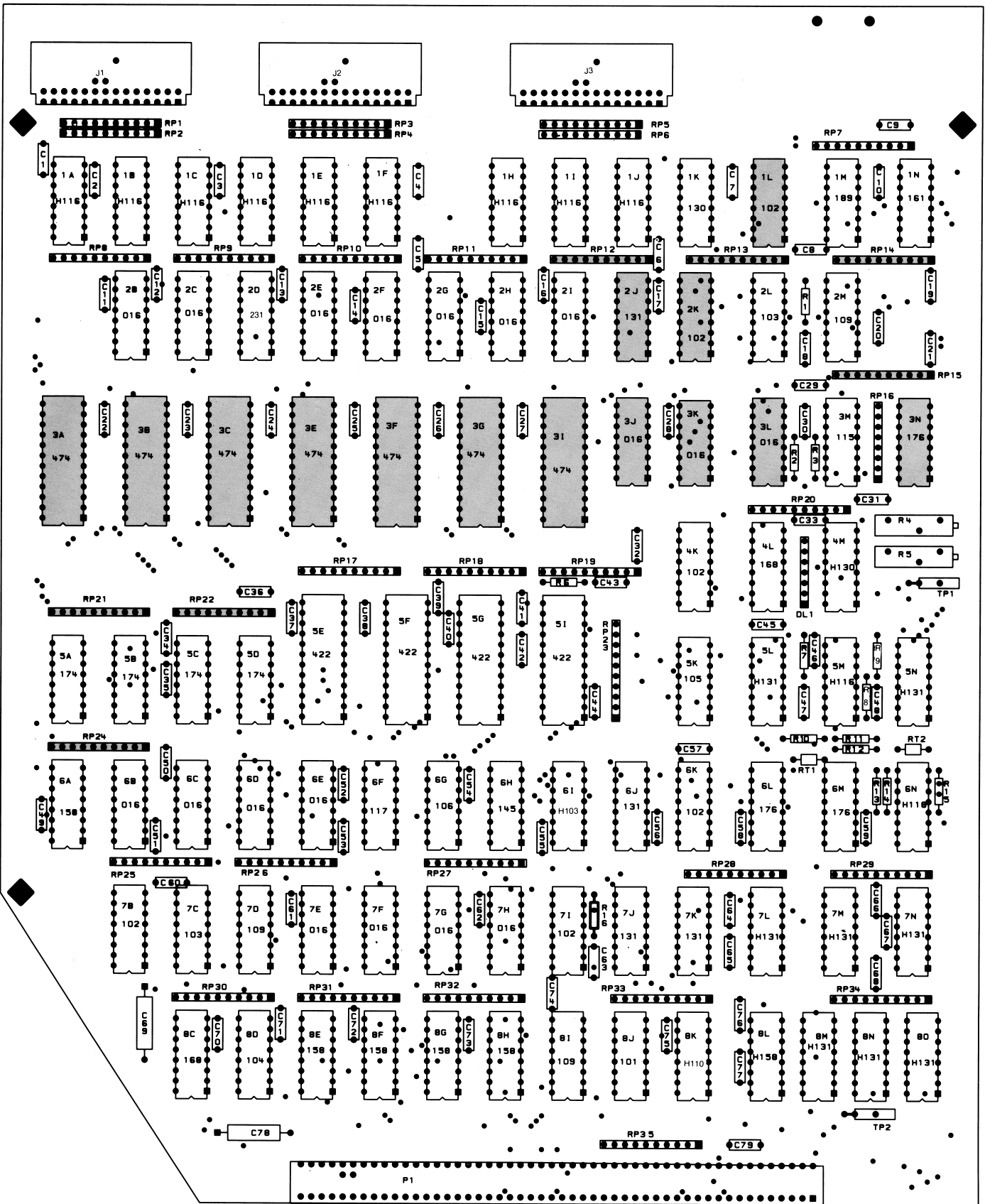


Figure 8C-15. State Board Component Locator

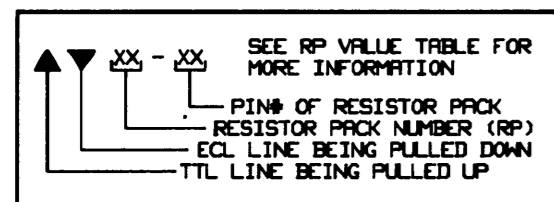
**NOTE 1**

ON STATE MASTER BOARD 01630-66505, U3N PINS 14 AND 15 ARE CONNECTED TO U4M PIN 4 AND U6K PIN 5 RESPECTIVELY (8C-7). THESE LINES ARE ALSO PULLED DOWN BY PARTS OF RP-15.

**IC DEVICE POWER CONNECTIONS**

| SUPPLY     | PIN NO. | IC GROUP          |
|------------|---------|-------------------|
| Vcc1 (gnd) | 1       | U1L, 2J, 2K       |
| Vcc2 (gnd) | 16      | 3J-3L, 3N         |
| Vee (-5.2) | 8       |                   |
| Vcc (gnd)  | 24      | U3A-3C, 3E-3G, 3I |
| Vcc3 (gnd) | 1       |                   |
| Vee (-5.2) | 12      |                   |

**RESISTOR PACK DESCRIPTIONS:**



| RP#  | RESISTOR VALUE | POWER PIN | VOLTAGE |
|------|----------------|-----------|---------|
| 1-6  | 330 X 9        | 1         | -5.2    |
| 7-15 | 100 X 9        | 1         | -2.4    |

**PARTS ON THIS SCHEMATIC**

|                      |
|----------------------|
| U1L, 2K, 2J, 3A-3C   |
| U3E-3G, 3I, 3J-3L, N |
| RP12-15, 21-22, 24   |

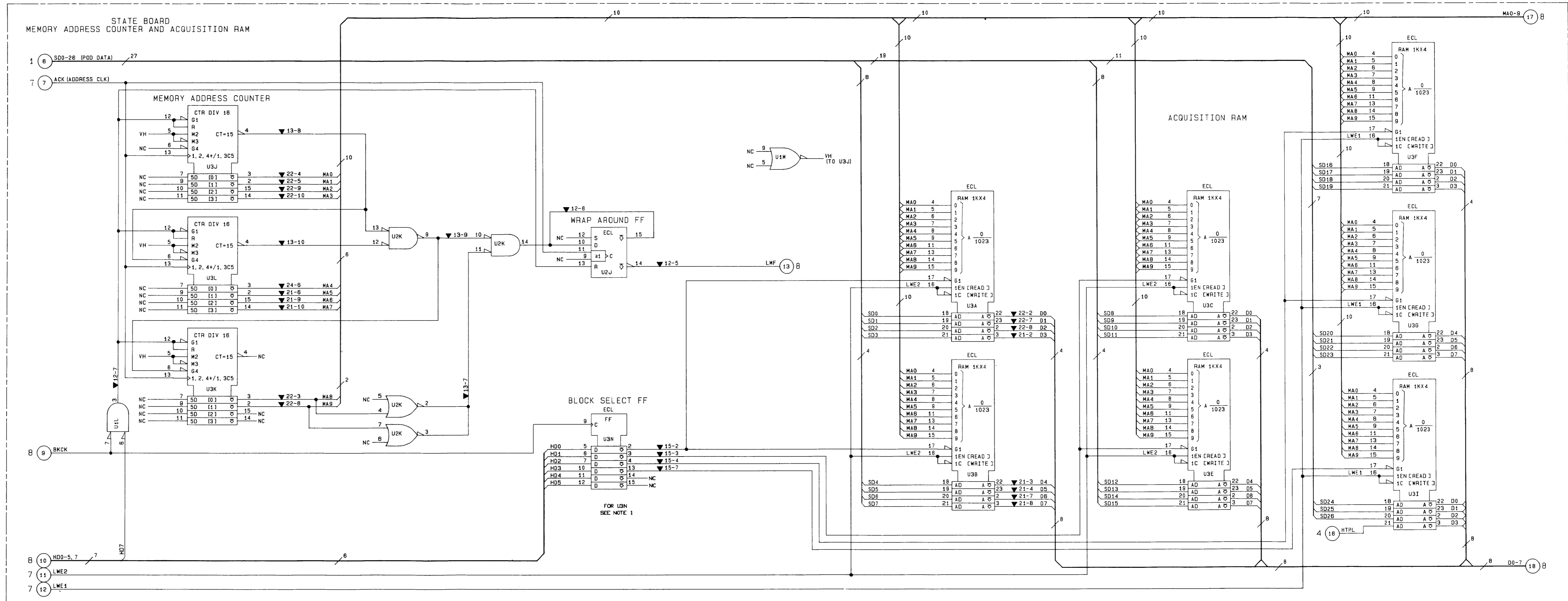


Figure 8C-16. State Schematic (2 of 8)  
8C-29

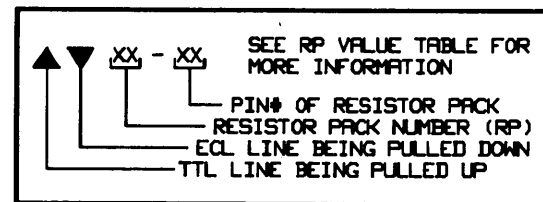


Figure 8C-15. State Board Component Locator

**IC DEVICE POWER CONNECTIONS**

| SUPPLY                                 | PIN NO.       | IC GROUP    |
|--|---------------|-------------|
| Vcc1 (gnd)<br>Vcc2 (gnd)<br>Vee (-5.2) | 1<br>16<br>8  | U6I         |
| Vcc (gnd)<br>Vcc3 (gnd)<br>Vee (-5.2)  | 24<br>1<br>12 | USF, 5G, 5I |
| Vcc (gnd)<br>Vee (-5.2)                | 16<br>8       | U6H         |

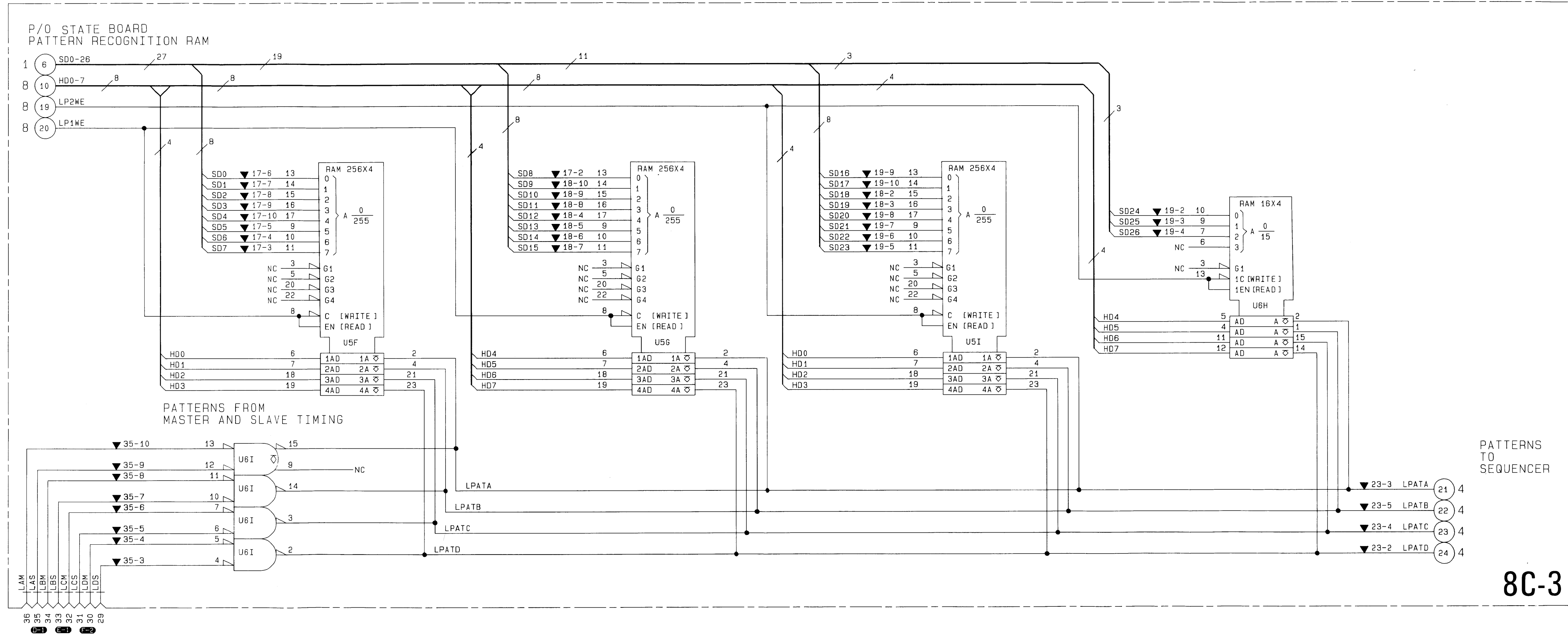
**RESISTOR PACK DESCRIPTIONS:**



| RP#   | RESISTOR VALUE | POWER PIN | VOLTAGE |
|-------|----------------|-----------|---------|
| 1-6   | 330 X 9        | 1         | -5.2    |
| 7-15  | 100 X 9        | 1         | -2.4    |
| 17-35 |                |           |         |

**PARTS ON THIS SCHEMATIC**

|  |  |
|--|--|
| USF, 5G, 5I, 6H,<br>U6I<br>RP17-19, 23, 35 |  |
|--|--|



**8C-3**

Figure 8C-16. State Schematic (3 of 8)  
8C-31





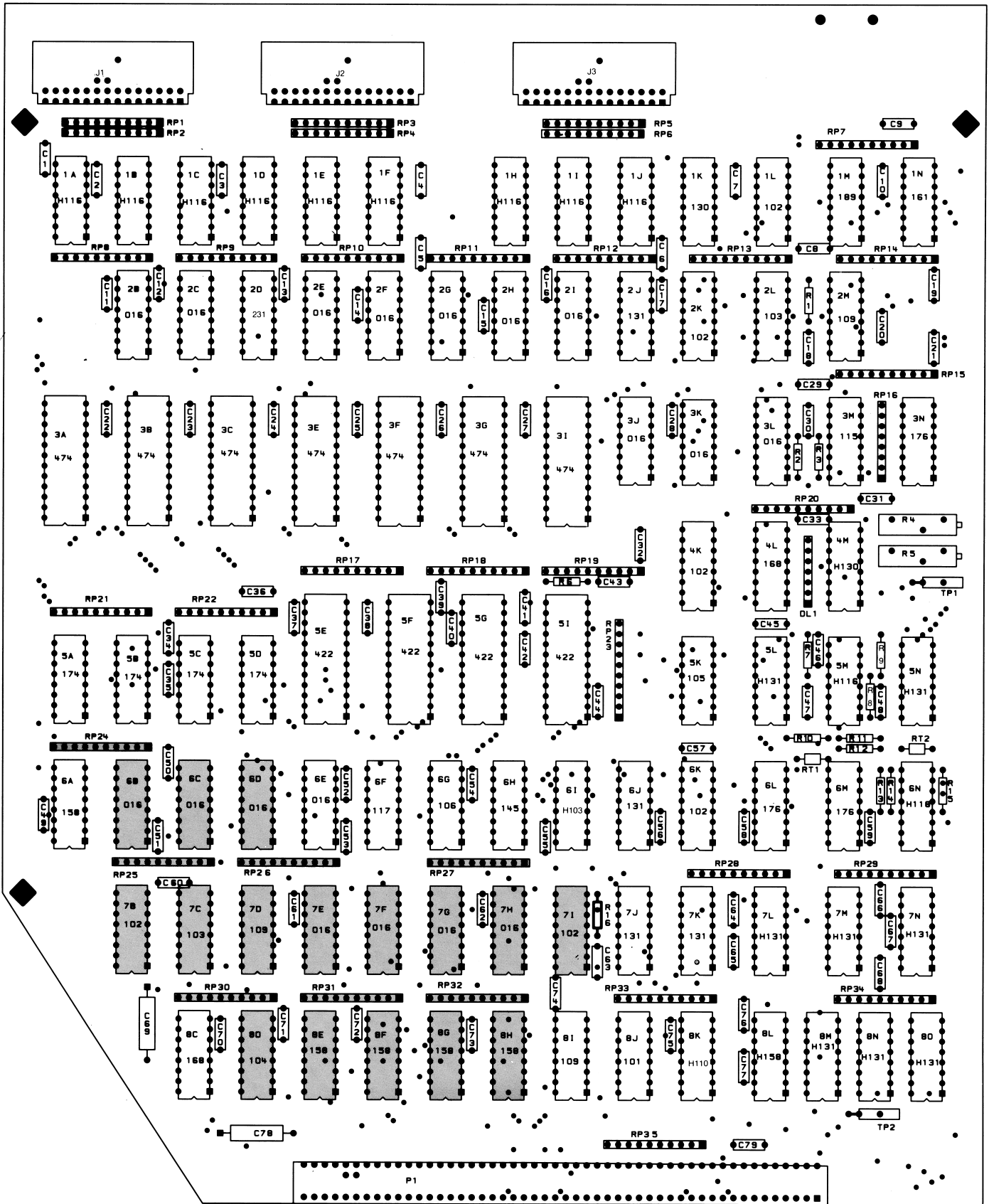


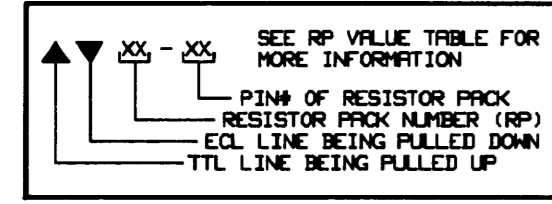
Figure 8C-15. State Board Component Locator



**IC DEVICE POWER CONNECTIONS**

| SUPPLY     | PIN NO. | IC GROUP            |
|------------|---------|---------------------|
| Vcc1 (gnd) | 1       | USB-6D, 7B-7I<br>8D |
| Vcc2 (gnd) | 16      |                     |
| Vee (-5.2) | 8       |                     |
| Vcc (gnd)  | 16      | UBE-8H              |
| Vee (-5.2) | 8       |                     |

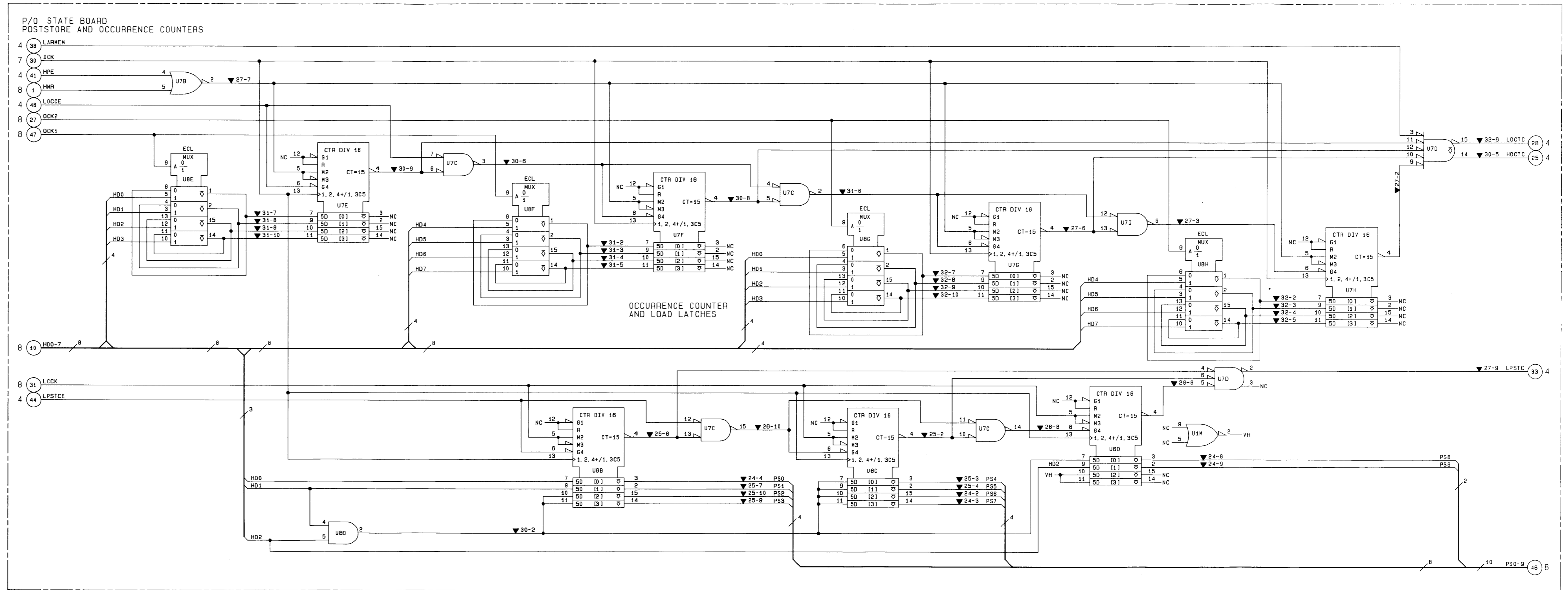
**RESISTOR PACK DESCRIPTIONS:**



| RP#   | RESISTOR VALUE | POWER PIN | VOLTAGE |
|-------|----------------|-----------|---------|
| 1-6   | 330 X 9        | 1         | -5.2    |
| 7-15  | 100 X 9        | 1         | -2.4    |
| 17-35 |                |           |         |

**PARTS ON THIS SCHEMATIC**

|   |  |
|---|--|
| USB-D, 7B-I,<br>UBD-H<br>RP24-27, 30-32 |  |
|---|--|



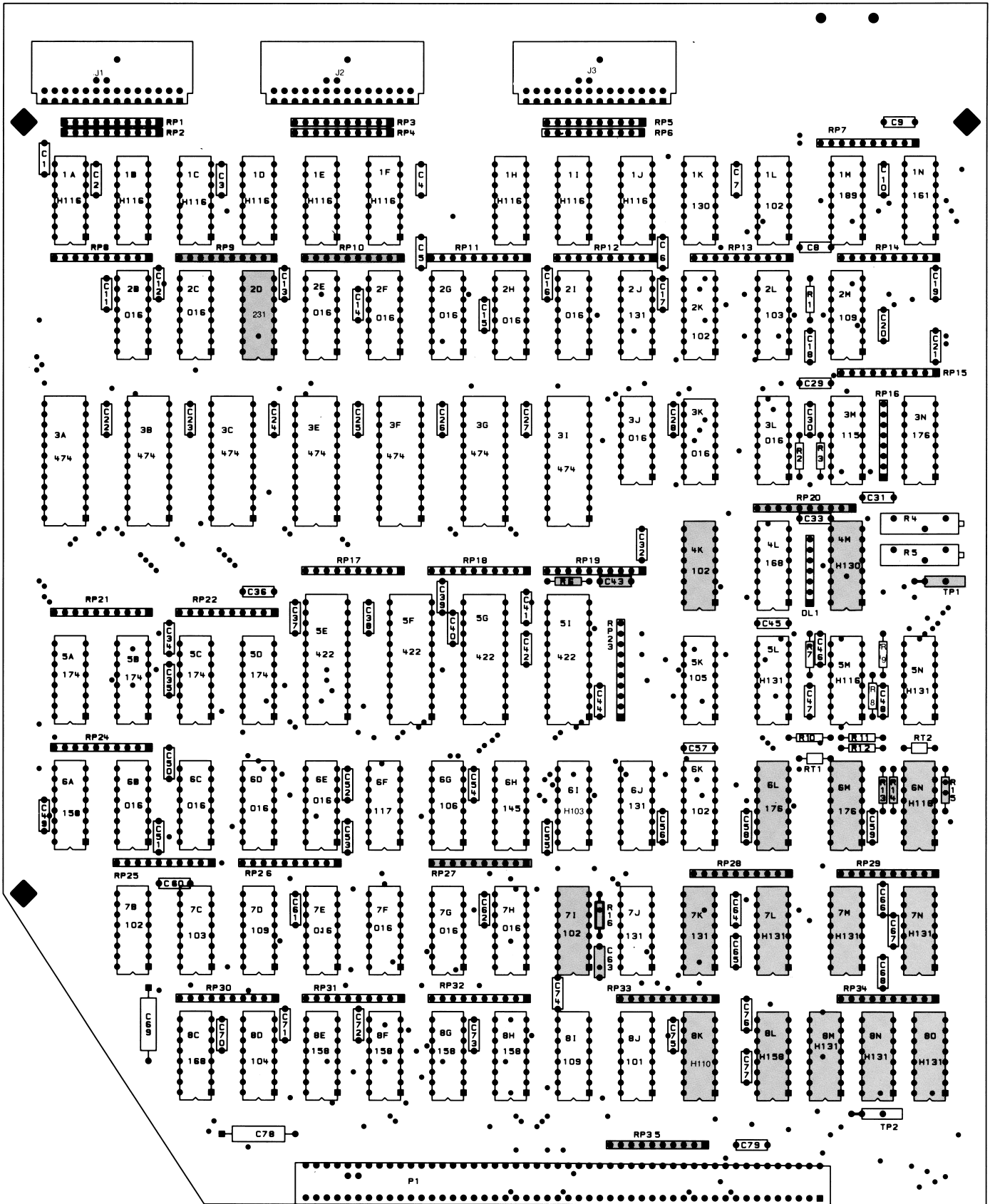
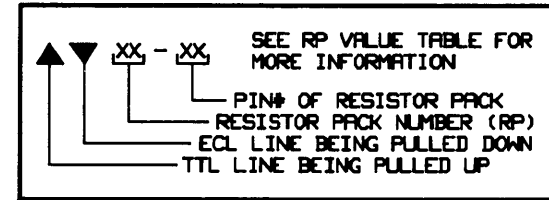


Figure 8C-15. State Board Component Locator

**IC DEVICE  
POWER CONNECTIONS**

| SUPPLY     | PIN NO. | IC GROUP           |
|------------|---------|--------------------|
| Vcc1 (gnd) | 1       | L2D, 4K, 4M, 6L-N, |
| Vcc2 (gnd) | 16      | 7I, 7K-N, 8M-8D    |
| Vcc (-5.2) | 8       |                    |
| Vcc1 (gnd) | 1, 15   | UBK                |
| Vcc2 (gnd) | 16      |                    |
| Vcc (-5.2) | 8       |                    |
| Vcc (gnd)  | 16      | UBL                |
| Vcc (-5.2) | 8       |                    |

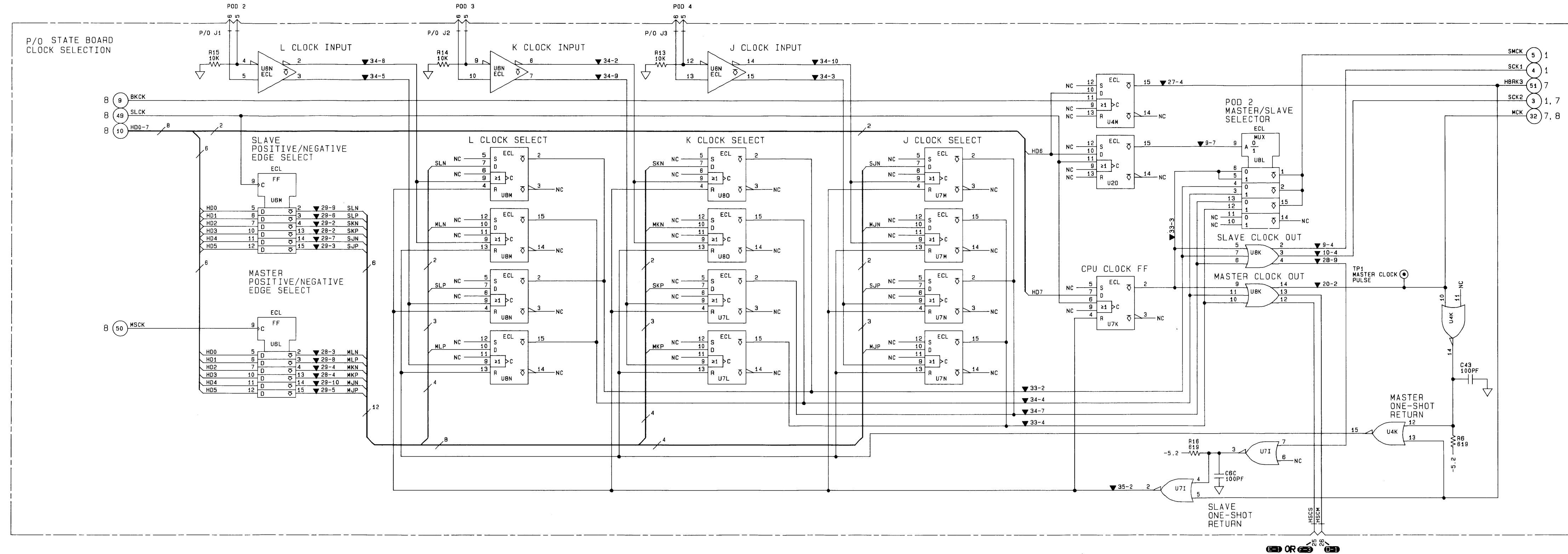
**RESISTOR PACK DESCRIPTIONS:**



| RP#   | RESISTOR VALUE | PONER PIN | VOLTAGE |
|-------|----------------|-----------|---------|
| 1-6   | 330 X 9        | 1         | -5.2    |
| 7-15  | 100 X 9        | 1         | -2.4    |
| 17-35 |                |           |         |

**PARTS ON THIS SCHEMATIC**

|                                     |
|-------------------------------------|
| L2D, 4K, M, 6L-M,<br>U7I, K-N, 8K-O |
| C43, 63                             |
| J1, 2, 3                            |
| R6, 13-16                           |
| RP8, 10, 20, 27-29,<br>33-35        |



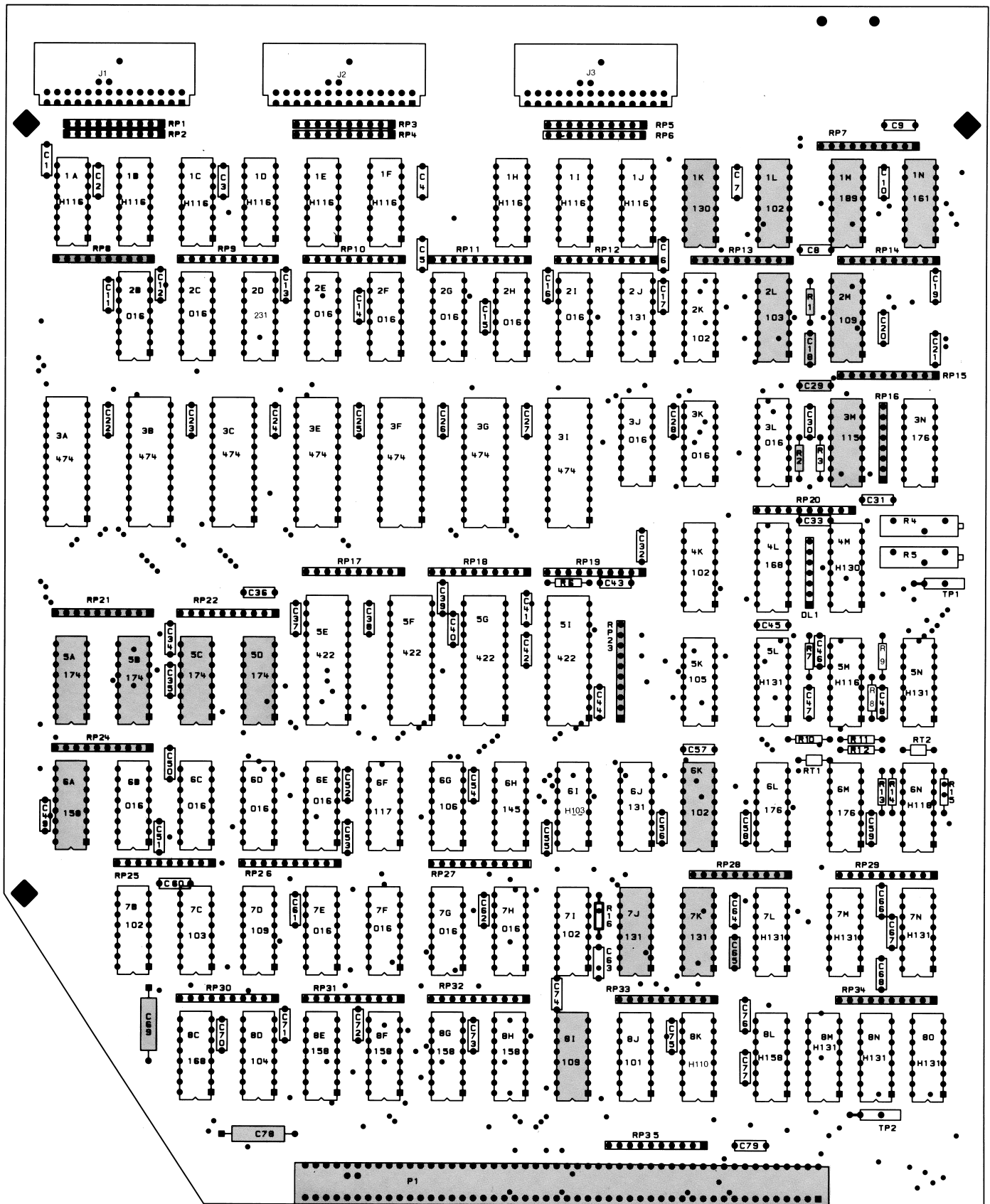
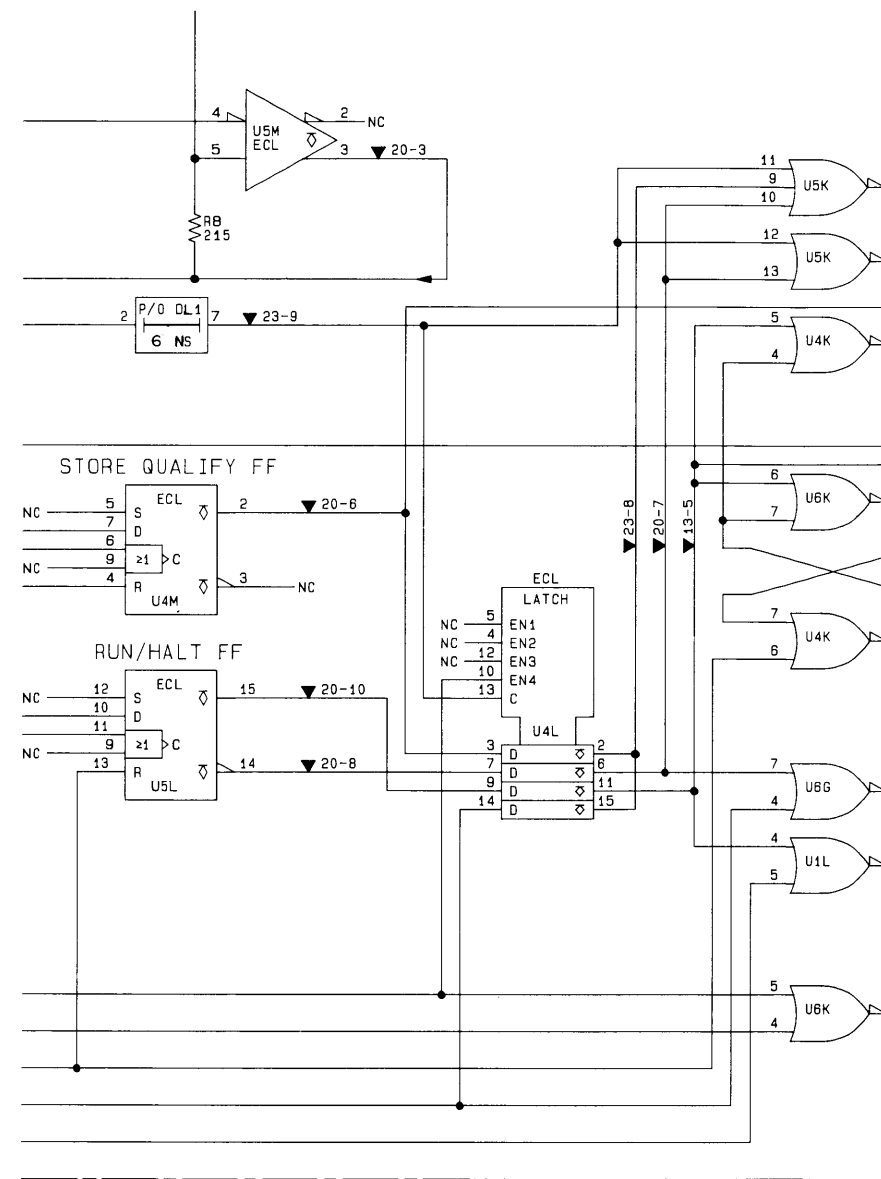


Figure 8C-15. State Board Component Locator

**NOTE 1**

ON STATE MASTER BOARD 01630-66505, THE SCHEMATIC BELOW REFLECTS THE USE OF A DIFFERENT PART 1820-2451 (MC10168P) FOR U4L, AND THE CIRCUIT DIFFERENCES THAT ACCOMMODATE THAT PART.



**NOTE 2**

ON STATE MASTER BOARDS 01630-66505 AND 01630-66509, DELAY LINE DLI IS MADE 7ns BY MAKING THE OUTPUT CONNECTION TO PIN 7 RATHER THAN PIN 6.

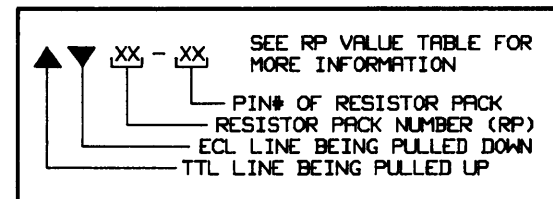
**NOTE 3**

ON STATE MASTER BOARD 01630-66505, U4M PIN 4 IS CONNECTED TO U3N PIN 14 (8C-2) AND U6K PIN 5 IS CONNECTED TO U3N PIN 15 (8C-2).

**IC DEVICE POWER CONNECTIONS**

| SUPPLY     | PIN NO. | IC GROUP                   |
|------------|---------|----------------------------|
| Vcc1 (gnd) | 1       | U1L, 4K-M, 5K-N, 6G, K, 7J |
| Vcc2 (gnd) | 16      |                            |
| Vee (-5.2) | 8       |                            |

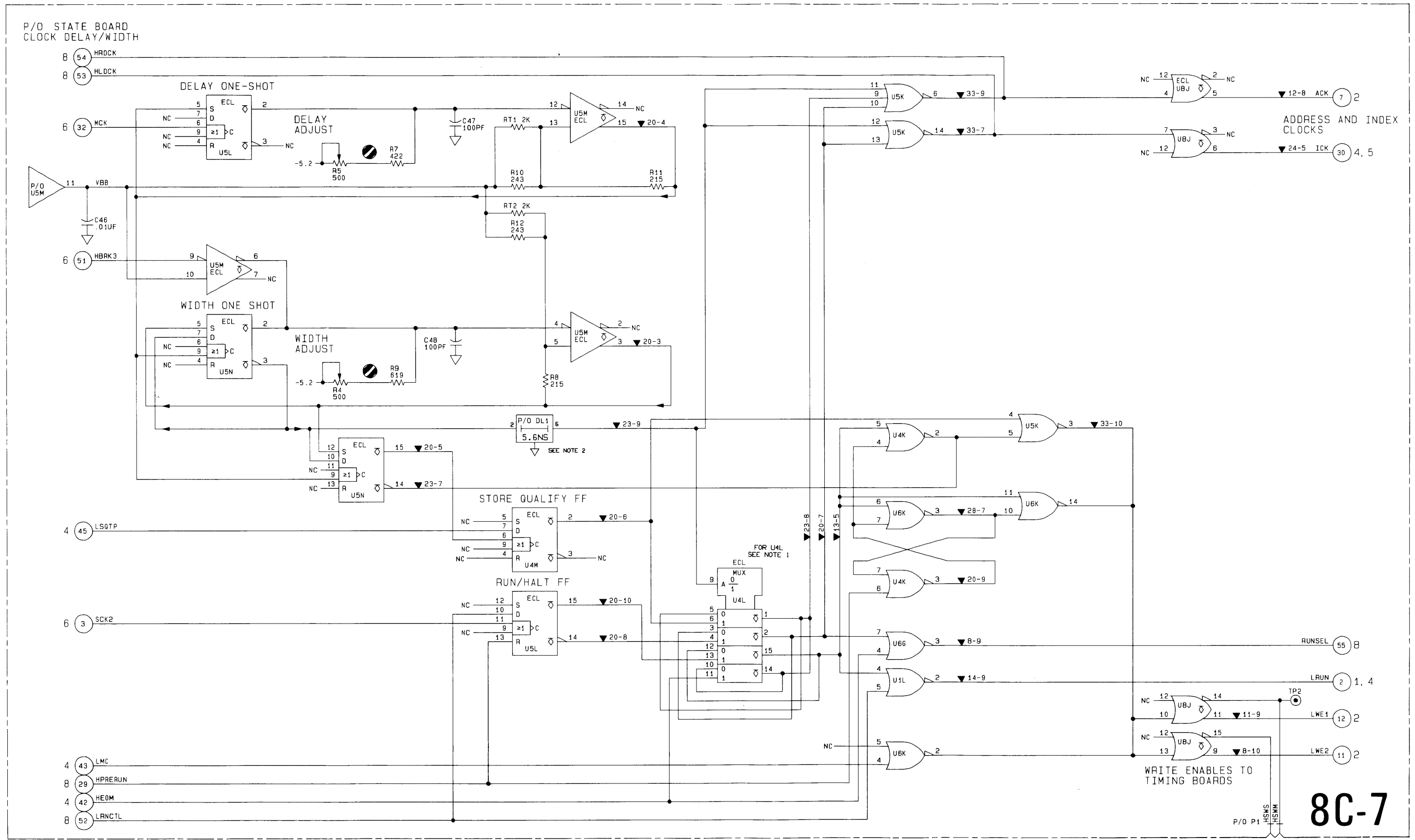
**RESISTOR PACK DESCRIPTIONS:**



| RP#   | RESISTOR VALUE | POWER PIN | VOLTAGE |
|-------|----------------|-----------|---------|
| 1-6   | 330 X 9        | 1         | -5.2    |
| 7-15  | 100 X 9        | 1         | -2.4    |
| 17-35 |                |           |         |

**PARTS ON THIS SCHEMATIC**

|                               |                          |
|-------------------------------|--------------------------|
| C46-48, 65                    | U1L, 4K-M, 5K-N, U6G, 8J |
| DL1                           |                          |
| R4-5, 7-12                    |                          |
| RP8, 11-14, 20, 23-24, 28, 33 |                          |
| RT1, 2                        |                          |
| TP2                           |                          |



**8C-7**

Figure 8C-16. State Schematic (7 of 8)

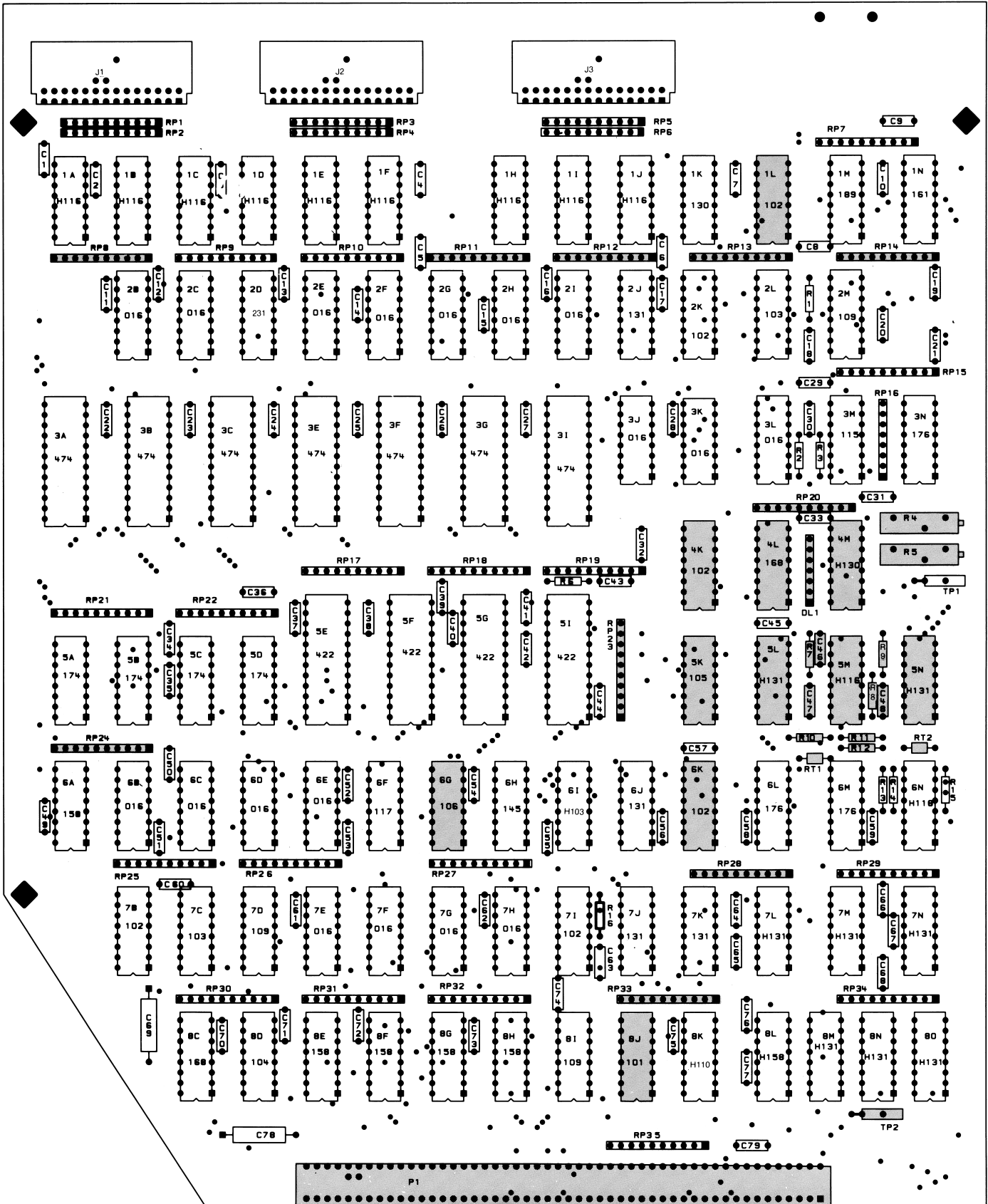
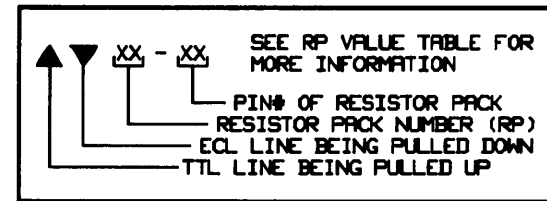


Figure 8C-15. State Board Component Locator

**IC DEVICE  
POWER CONNECTIONS**

| SUPPLY                                 | PIN NO.      | IC GROUP                                       |
|--|--------------|--|
| Vcc1 (gnd)<br>Vcc2 (gnd)<br>Vee (-5.2) | 1<br>16<br>8 | UIK-1N, 2L-2N,<br>U3M, 5A-5D, 6K,<br>7J-7K, 8I |
| Vcc (gnd)<br>Vee (-5.2)                | 16<br>8      | UGA  |

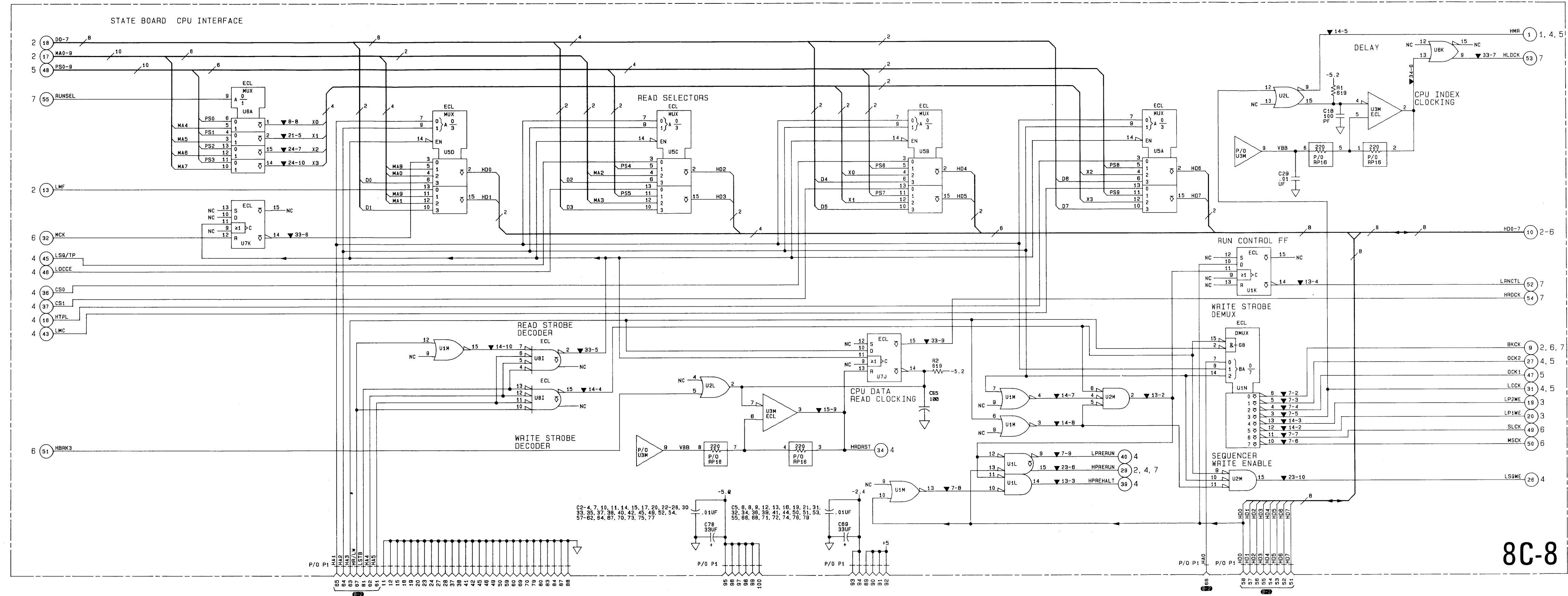
**RESISTOR PACK DESCRIPTIONS:**



| RP#   | RESISTOR VALUE | POWER PIN | VOLTAGE |
|-------|----------------|-----------|---------|
| 1-5   | 330 X 9        | 1         | -5.2    |
| 7-15  | 100 X 9        | 1         | -2.4    |
| 17-35 |                |           |         |

**PARTS ON THIS SCHEMATIC**

|  |
|--|
| UIK-1N, 2L-2N, 3M,<br>5A-5D, 6A, K, 7J, K, 8I<br>C1-42, 44-45, 49-55,<br>C57-62, 64-79<br>R1, 2<br>RP7-9, 13-16, 21,<br>RP23, 24, 26, 33, 34 |
|--|



8C-8

Figure 8C-16. State Schematic (8 of 8)  
8C-41/(8C-42 blank)

## Service Group 8D Table of Contents

| Paragraph | Page   |       |
|-----------|--|-------|
| 8D-1.     | Introduction . . . . .                         | 8D-1  |
| 8D-2.     | Timing Block Diagram Theory . . . . .          | 8D-1  |
| 8D-3.     | Theory of Operation. . . . .                   | 8D-5  |
| 8D-4.     | Timing Pod and Pod Interface. . . . .          | 8D-5  |
| 8D-5.     | Timing Pod . . . . .                           | 8D-5  |
| 8D-6.     | Line Receivers . . . . .                       | 8D-5  |
| 8D-7.     | Macrocells . . . . .                           | 8D-5  |
| 8D-8.     | Data Samplers . . . . .                        | 8D-5  |
| 8D-9.     | Edge Detectors . . . . .                       | 8D-5  |
| 8D-10.    | Data Encoders . . . . .                        | 8D-5  |
| 8D-11.    | Pattern Detectors . . . . .                    | 8D-5  |
| 8D-12.    | State Mode . . . . .                           | 8D-5  |
| 8D-13.    | Acquisition RAM. . . . .                       | 8D-7  |
| 8D-14.    | Memory Address Counter . . . . .               | 8D-7  |
| 8D-15.    | Block Select . . . . .                         | 8D-7  |
| 8D-16.    | Memory Address Latches . . . . .               | 8D-8  |
| 8D-17.    | Memory Full Flip-Flop . . . . .                | 8D-8  |
| 8D-18.    | Prestore Valid Flip-Flop . . . . .             | 8D-8  |
| 8D-19.    | Pattern Duration Filter . . . . .              | 8D-8  |
| 8D-20.    | Glitch Flip-Flop . . . . .                     | 8D-11 |
| 8D-21.    | Pattern Latch . . . . .                        | 8D-11 |
| 8D-22.    | Pattern Trigger Delay Shift Register . . . . . | 8D-11 |
| 8D-23.    | Trigger Flip-Flop . . . . .                    | 8D-11 |
| 8D-24.    | Sync Trigger Flip-Flop . . . . .               | 8D-11 |
| 8D-25.    | Delay/Poststore Counter . . . . .              | 8D-12 |
| 8D-26.    | Delay . . . . .                                | 8D-12 |
| 8D-27.    | Poststore . . . . .                            | 8D-13 |
| 8D-28.    | Start Trace . . . . .                          | 8D-13 |
| 8D-29.    | End Trace . . . . .                            | 8D-14 |
| 8D-30.    | Clock Generation . . . . .                     | 8D-15 |
| 8D-31.    | Phase Generation . . . . .                     | 8D-15 |
| 8D-32.    | Hold/Encoder State Counter . . . . .           | 8D-15 |
| 8D-33.    | Hold . . . . .                                 | 8D-15 |
| 8D-34.    | Encoder . . . . .                              | 8D-15 |
| 8D-35.    | CPU Interface . . . . .                        | 8D-17 |
| 8D-36.    | Read Selectors . . . . .                       | 8D-17 |
| 8D-37.    | Mode Select Latch. . . . .                     | 8D-17 |
| 8D-38.    | Write Strobe Demultiplexer . . . . .           | 8D-17 |
| 8D-39.    | State Mode . . . . .                           | 8D-17 |
| 8D-40.    | Mnemonics . . . . .                            | 8D-18 |



### List of Illustrations

| Figure |  | Page  |
|--------|--|-------|
| 8D-1.  | 1630A/D Acquisition System . . . . .                     | 8D-3  |
| 8D-2.  | Macrocell Block Diagram. . . . .                         | 8D-4  |
| 8D-3.  | Acquisition Memory and Memory Addresss Counter . . . . . | 8D-6  |
| 8D-4.  | Simplified Pattern Duration Filter . . . . .             | 8D-9  |
| 8D-5.  | Pattern Duration Path for 500 us. . . . .                | 8D-10 |
| 8D-6.  | Delay/Poststore Counter . . . . .                        | 8D-12 |
| 8D-7.  | Start/Center/End Proportions . . . . .                   | 8D-13 |
| 8D-8.  | Phase Waveforms--Timing Mode . . . . .                   | 8D-14 |
| 8D-9.  | Memory Write Waveforms--State Mode . . . . .             | 8D-16 |
| 8D-10. | Timing Pod. . . . .                                      | 8D-21 |
| 8D-11. | Timing Master Component Locator . . . . .                | 8D-22 |
| 8D-12. | Timing Master Schematics . . . . .                       | 8D-23 |

### List of Tables

| Table |   | Page  |
|-------|---|-------|
| 8D-1. | Resistor-Capacitor Combinations . . . . . | 8D-9  |
| 8D-2. | Mnemonics . . . . .                       | 8D-18 |

# SERVICE GROUP 8D

## TIMING MASTER

### 8D-1. INTRODUCTION

**SAMPLING.** The timing master board accepts eight channels from the timing probe. Samples come in as an 8-bit parallel word. Data is compared with thresholds from the CPU board: sampled levels above threshold are high; levels below are low. Storage capacity is 1024 8-bit words. Then, if no trigger pattern has been found, new data will continue to write over old.

**SAMPLE RATE.** The timing analyzer provides its own sample clocks, which may be varied for different resolutions. Sampling is therefore asynchronous with the system being measured.

**TRIGGERING.** Before a run the analyzer is programmed to look for a certain pattern of highs or lows on each parallel 8-bit sample. Four of the eight channels may also be programmed to trigger on glitches, or rising or falling edges. When a correct pattern of the proper duration occurs, the analyzer produces a trigger.

**TRACEPOINT.** The trigger may be delayed while information continues to be stored. Trigger + Delay is defined as Tracepoint.

**POSTSTORE.** The amount of new data stored after tracepoint determines tracepoint position in displayed memory. Start, Center, or End are the options. For End-on, measurement is stopped immediately after tracepoint, causing about 1K of pre-tracepoint data to be displayed. For Start-on, almost 1K of new data is stored before stopping the measurement, causing tracepoint to be displayed at the beginning.

**ARMING.** The timing analyzer may be prevented from looking for the trigger pattern until enabled by the state analyzer. The timing trigger may also arm the state analyzer.

### 8D-2. TIMING BLOCK DIAGRAM THEORY (Figure 8D-1)

**PROBE INTERFACE.** Collects data from eight pod channels.

**MACROCELL.** There are two of these custom chips on both the master and slave timing boards. Four of the eight pod channels go into each macrocell. After storing four parallel 4-bit samples, each macrocell outputs a 16-bit word to the RAM at one-fourth the sample rate. Besides this data encoding function, the macrocells contain data and glitch pattern detectors: when an 8-bit sample contains proper pattern, the macrocells emit a trigger signal.

**ACQUISITION RAM.** This is a 256 x 32 RAM, which is loaded by a 32-bit word from the macrocells (each macrocell sends out 16 bits). The 32-bit word from the two macrocells contains four 8-bit samples. Effective memory size is 1K x 8.

**MEMORY ADDRESS COUNTER (MAC).** An 8-bit counter which increments at one-fourth the sample rate, as each 32-bit macrocell word is stored in acquisition RAM.

**TRACEPOINT LATCH.** Saves the contents of the Memory Address Counter when tracepoint occurs.

**MEMORY BLOCK SELECT.** Chip Select signals for acquisition RAM.

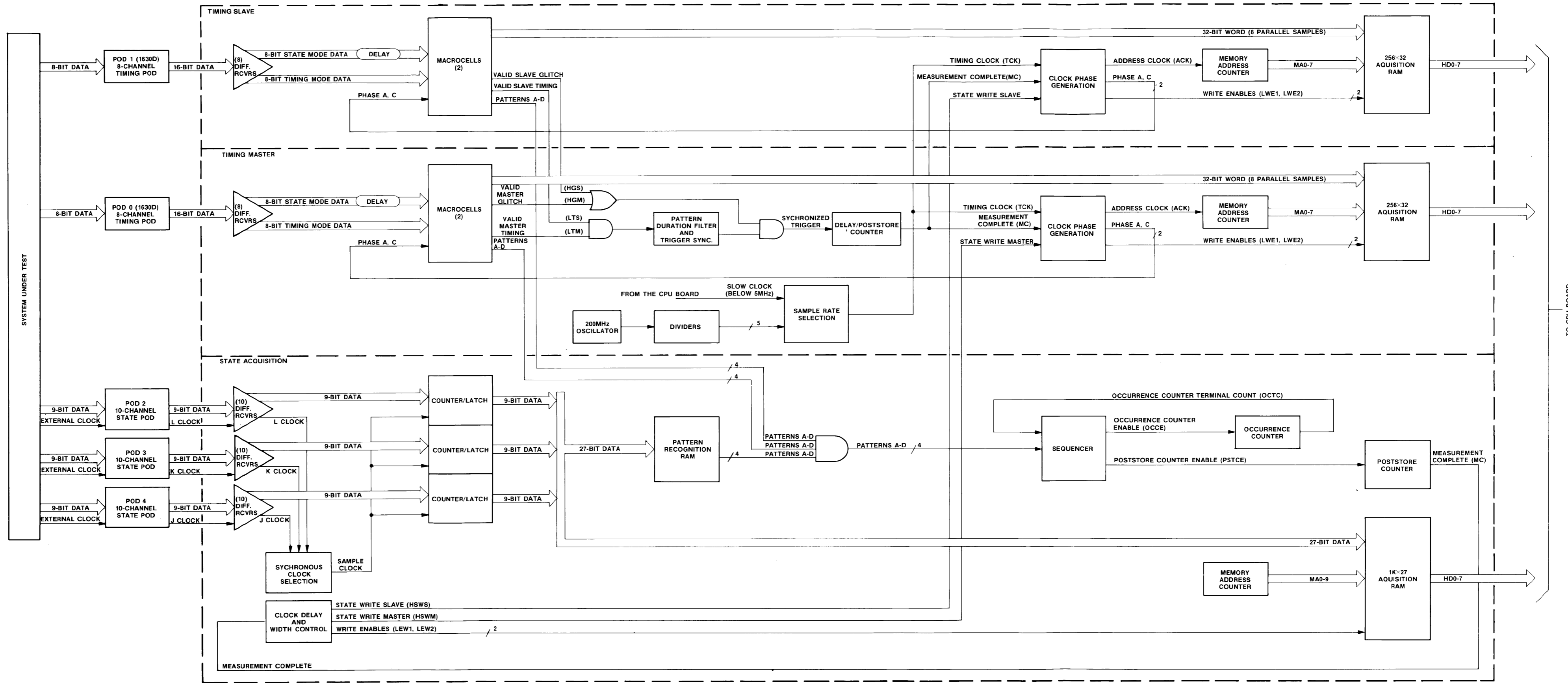
**PATTERN DURATION FILTER.** Determines whether a trigger pattern lasts long enough.

**DELAY/POSTSTORE COUNTER.** A 16-bit counter for delaying the trigger by as much as four times 59,999 sample states. Five of the counter outputs are decoded for Poststore. The amount of data stored after the trigger determines trigger position in displayed memory for Start, Center, or End measurements. Terminal count becomes Measurement Complete (MC). The selected decoded output becomes Tracepoint (TP).

**CLOCK GENERATION/SELECTION.** Contains a 200 MHz oscillator, and frequency selection multiplexers for choosing sample rate. The CPU supplies frequencies below 5 MHz.

**PHASE GENERATOR.** Divides the timing clock into four phases for running various analyzer functions. For example, to allow for settling time, memory is written on Phase D, and the Memory Address Counters are incremented on Phase B.

**CPU INTERFACE.** Allows CPU programming and interrogation.



BD0006

Figure 8D-1. 1630A/D Acquisition System 8D-3

## 8D-3. THEORY OF OPERATION

### 8D-4. Timing Pod and Pod Interface

**8D-5. TIMING POD** (see Figure 8D-10). The timing pod compares eight data channels against a single threshold, and converts each single input to two complementary ECL inputs for transmission to the timing board.

**8D-6. LINE RECEIVERS** (see Figure 8D-12, schematic 1). The Line Receivers convert the differential ECL signals from the pod to two single-ended outputs. One set of outputs is delayed by 19 ns to guarantee zero hold time on data in the State Mode. The other set of outputs goes directly into the macrocells for use in the Timing Mode.

### 8D-7. Macrocells (see schematic 8D-1)

There are two macrocells, each handling four channels, on both the primary and optional secondary timing boards. The macrocells are a custom gate array. The design can be broken down into four functional blocks:

1. Data Samplers.
2. Edge Detectors.
3. Data Encoders.
4. Pattern Detectors.

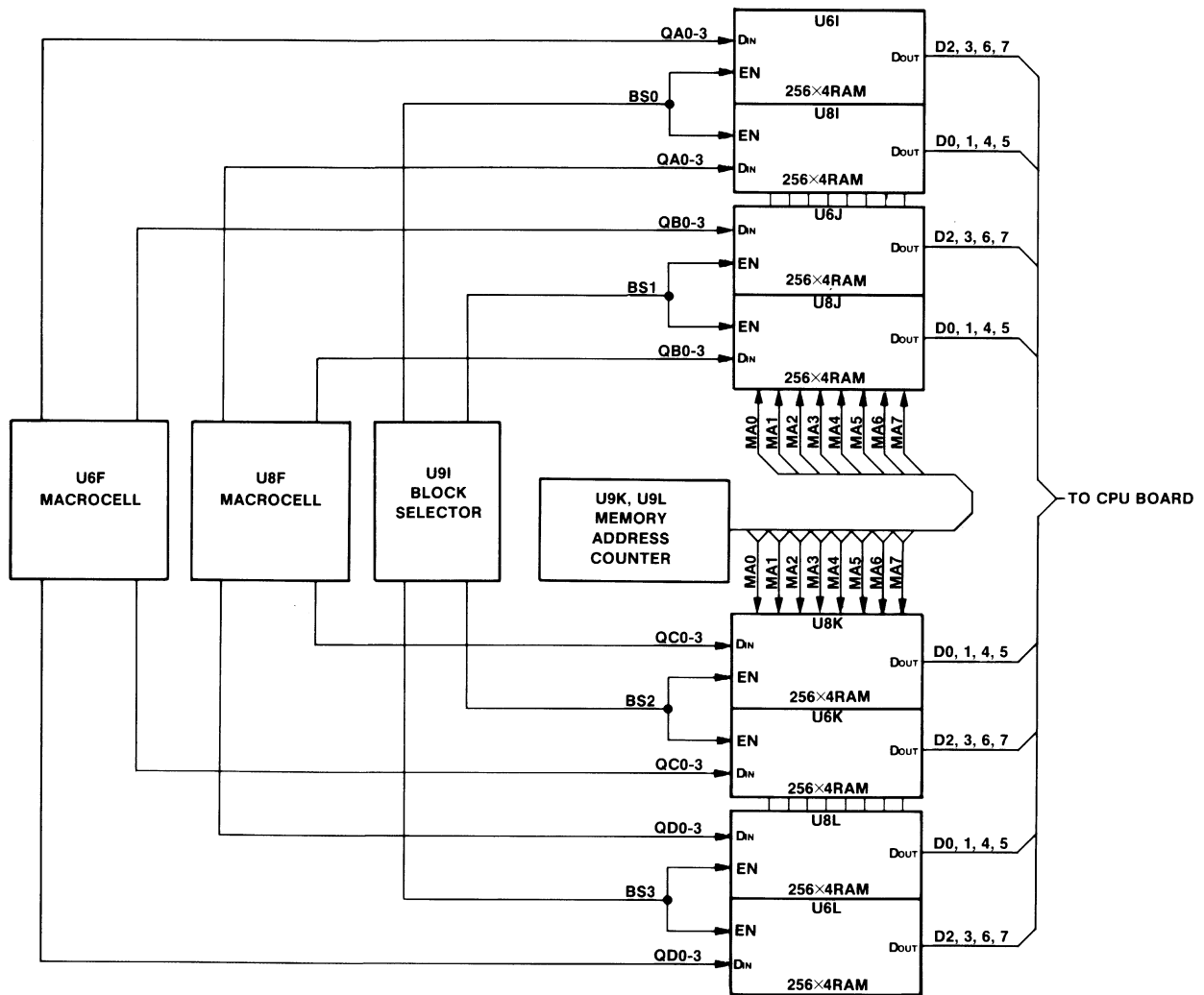
**8D-8. DATA SAMPLERS.** The Data Samplers clock in data for State, Time, or Glitch Modes.

**8D-9. EDGE DETECTORS.** The Edge Detectors find edges in the Timing Mode by looking for a transition on data between sample clocks. Two of the four macrocell input channels have edge detectors, allowing 4-channel glitch detection and triggering on each group of eight timing channels. For each data input with glitch detection, there are two positive and two negative edge detectors.

**8D-10. DATA ENCODERS.** The Data Encoders convert four parallel bits of high speed sampled data into 16 parallel bits of low speed data for writing into acquisition RAM. In State Mode the data encoders pass the sampled data directly to the 16 outputs, each bit of sampled data being output on four pins.

**8D-11. PATTERN DETECTORS.** The Pattern Detectors look for 1/0/X on each of the data inputs. During Halt, the CPU programs the specified pattern into the macrocells' internal registers. When the proper combination of highs, lows, don't cares, or glitches occurs, the macrocells will emit either LTM or HGM. LTM goes true when the preselected pattern is valid at the pod input. HGM is true whenever the correct glitch pattern appears on the selected data channels.

**8D-12. STATE MODE.** In State Mode the macrocells serve the same purpose as Pattern Recognition RAM on the state board. Four patterns, A-D, may be stored in the macrocells internal registers. The state pattern detectors look at the sampled data, while the timing pattern detectors look directly at the input data (and at the edge detector outputs, when in Glitch Mode).



**TIMING MODE:**  
ALL BLOCK SELECTS ARE  
ENABLED SIMULTANEOUSLY.

**STATE MODE:**  
ONLY ONE BLOCK SELECT  
IS ENABLED AT A TIME.  
8-BIT DATA IS DUPLICATED  
FOUR TIMES.

Figure 8D-3. Acquisition Memory and Memory Address Counter

### 8D-13. Acquisition RAM (see schematic 8D-1)

The RAM is organized 32 bits wide by 256 words deep. Since the 32-bit output data from the two macrocells is demultiplexed or fanned out to four times its width of eight channels, it is loaded into RAM at one-fourth of the sample speed, 32 bits at a time.

Each 16-bit parallel word from one macrocell contains four 4-bit data samples. The RAM for each macrocell is therefore, in effect, 1K x 4. With two macrocells and two groups of RAM, the effective memory size is 1K x 8.

### 8D-14. Memory Address Counter (see schematic 8D-1)

The Memory Address Counter is an 8-bit counter which keeps track of where data is being stored. Since memory is loaded 32 bits at a time, to a depth of 256, the counter only needs to count to 256 in order to store 1024 8-bit samples.

The Phase Generator increments the Memory Address Counter when writing during acquisition. The CPU increments the counter during reads.

The Memory Address Counter has three decoded outputs: MACTC1 (terminal count from the low order counter, U9K); MA7, the eighth, or most significant address bit; and MACTC2 (terminal count from the high order counter, U9L). These outputs indicate when the counter has counted 15, 128, or 240, i.e., the Start, Middle, or End of the 32 x 256 word memory.

### 8D-15. Block Select (see schematic 8D-1)

Memory chip-selects (U9I,9J) are controlled differently for State Mode, Timing Mode, and CPU Read Mode.

|             |  |
|-------------|--|
| Timing Mode | All chip-selects are true. Four 8-bit samples are stored simultaneously as a 32-bit word.  |
| State Mode  | The 8-bit data word is now duplicated in four places on the macrocell outputs. At sample time, the Block Selector holds one chip-select true, enabling two 4-bit wide RAMs to store one byte. After four 8-bit samples, the Block Selector increments the Memory Address Counter. (see figure 8D-9). |
| CPU Read    | Since RAM outputs are bussed 8 wide, two 4-bit RAMs at a time are enabled for reading. The Block Selector now enables two RAMs, as in State Mode; but now the Block Selector is clocked by the CPU clock, instead of the state sample clock.   |

## **8D-16. Memory Address Latches** (see schematic 8D-1)

These latches hold the current memory address, allowing the CPU to unload memory at the end of a run. When Measurement Complete goes true, the CPU reads the latches to determine tracepoint position in acquisition memory.

## **8D-17. Memory Full Flip-Flop** (see schematic 8D-1)

In the Run Mode the Memory Address Counter is continually running. When the counter has gone around once, reaching terminal count, the Memory-Full FF emits LMF, indicating memory has been completely filled at least once. The Memory Full FF is not reset until master reset occurs at the end of a run. The Memory Full FF ensures that the memory has been filled only with valid data.

## **8D-18. Prestore Valid Flip-Flop** (see schematic 8D-1)

A trigger cannot occur until the Memory Address Counter indicates that memory has been sufficiently filled: For a Center-on measurement, half of memory must be filled; for End-on, all of memory; and even in Start-on, 56 samples are taken to allow a pre-trigger display.

Depending on whether the measurement is Start, End, or Center, one of the three memory address counter decoded outputs--MACTC1, MACTC2, or MA7--is selected to arm the trigger. This ensures a full load of prestore in the Timing Mode.

## **8D-19. Pattern Duration Filter** (see schematic 8D-2)

The operator can specify minimum pattern durations. The Pattern Duration Filter determines whether the pattern trigger (LTM) from the macrocell satisfies a selected minimum time interval.

The Pattern Duration Selector (U4C) chooses the minimum pattern duration. Depending on the duration selected, one or more of its outputs will turn on differential pairs in the transistor arrays (U2A,3A,3B). The transistors switch in different RC time constants, causing the output of U2D-14 to ramp down at different rates. The ramp must decline fast enough to reach Schmitt Trigger threshold before the input signal goes low again.

As shown in Figure 8D-4, the transistors are merely switches which connect different sets of resistors and capacitors into the circuit. The resistors provide an "R" multiplier of 2, 5, or 10; and the capacitors provide a "C" multiplier of powers of 10. As shown in Table 8D-1, the "R" multiplier times the "C" multiplier gives the time duration.



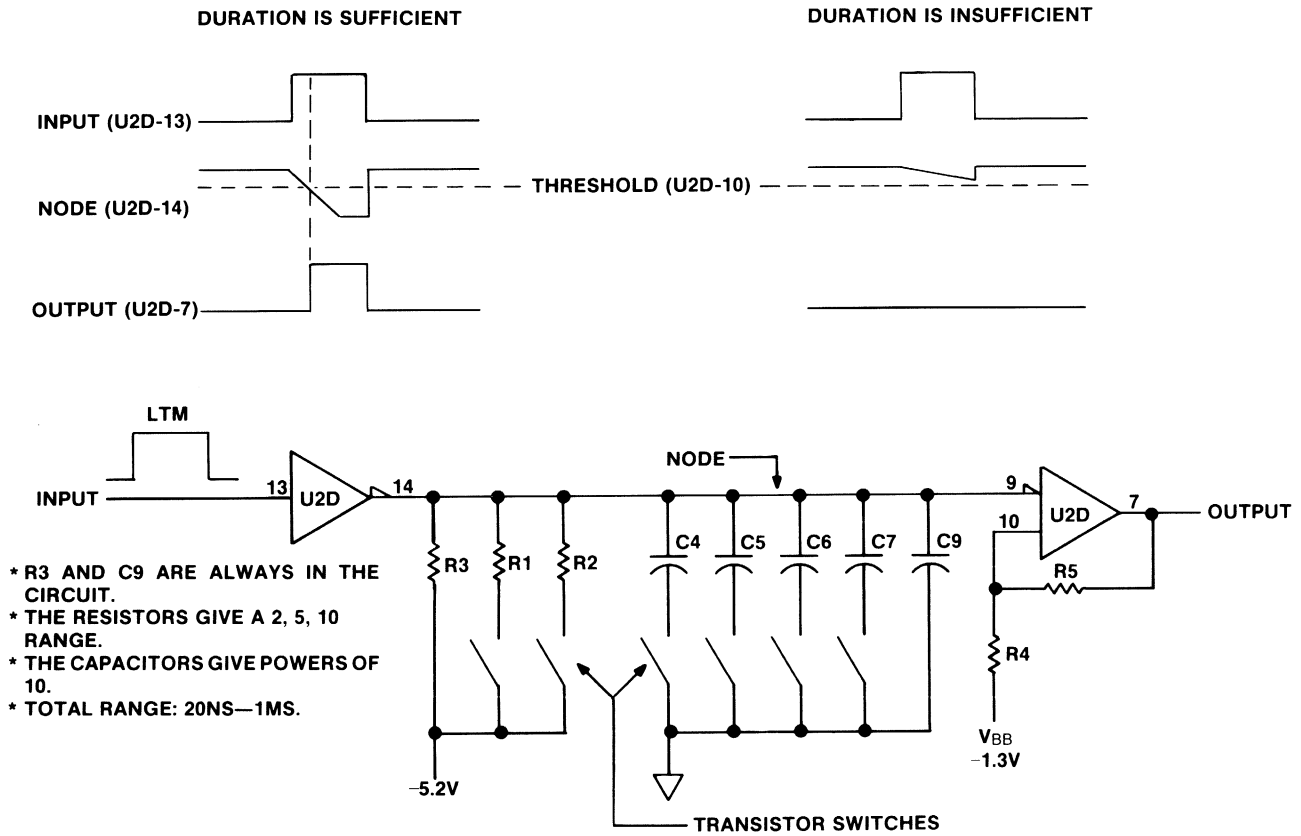


Figure 8D-4. Simplified Pattern Duration Filter

Table 8D-1. Resistor-Capacitor Combinations

| RESISTORS                              | R MULTIPLIER     |
|--|------------------|
| R3 (1.58K)                             | 10               |
| R1    R3 (1.71K    1.58k)              | 5                |
| R1    R2    R3 (1.71k    681    1.58k) | 2                |
| CAPACITORS                             | C MULTIPLIER     |
| C9 (300pf)                             | 10 <sup>-8</sup> |
| C7 (3600pf)                            | 10 <sup>-7</sup> |
| C6 (.04μf)                             | 10 <sup>-6</sup> |
| C5 (.4μf)                              | 10 <sup>-5</sup> |
| C4 (4μf)                               | 10 <sup>-4</sup> |

R multiplier × C multiplier = seconds

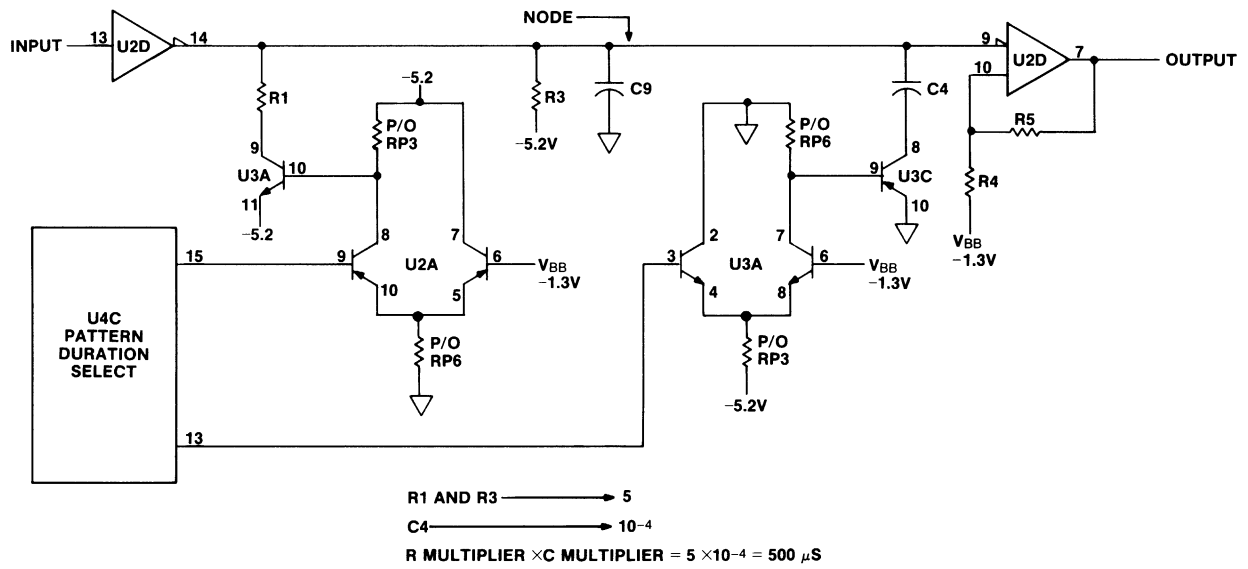


Figure 8D-5. Pattern Duration Path for 500 us

For the following Pattern Duration detailed theory see figure 8D-5 and table 8D-1.

Let's assume the operator has selected a minimum time interval of 500 us. We need a resistor multiplier of 5 and a capacitor multiplier of .0001. As shown in table 8D-1, R1 in parallel with R3 gives the resistor multiplier; and C4 gives the capacitor multiplier.

Pin 15 of the Duration Selector must go low to switch in R1; pin 13 must also go low to switch in C4.

A low on pin 15 turns on the left side of U2A, which then turns on U3A. R1 is now connected directly to -5.2V, putting it in parallel with R3. This gives us a resistor multiplier of 5.

A low on pin 13 turns on the right side of U3A, which turns on U3C. C4 is now connected to ground in parallel with the much smaller C9, which it swamps out. We now have C4 in series with the parallel combination of R1 and R3, which gives us a duration of 500 us.

### **8D-20. Glitch Flip-Flop** (see schematic 8D-2)

The Glitch FF synchronizes the glitch trigger HGM, from the output of the macrocell, with the timing clock TCK2.

### **8D-21. Pattern Latch** (see schematic 8D-2)

The Pattern Latch synchronizes the asynchronous pattern trigger from output of the pattern duration filter with the timing clock TCK2.

### **8D-22. Pattern Trigger Delay Shift Register** (see schematic 8D-2)

Because the glitch trigger HGM is delayed in the macrocell relative to the pattern trigger LTM, the two need to be re-aligned before they can be ANDed at the input to the Combination FF (U3G-10). The Delay Shift Register delays the pattern trigger by four sample clocks to synchronize it with the glitch trigger.

### **8D-23. Trigger Flip-Flop** (see schematic 8D-2)

LTM and HGM are wire-ANDed at the input to the Trigger FF (U3G-10), which synchronizes the ANDed trigger with the timing clock TCK2. The second half of the FF (U3G-7) latches the trigger high even after the pattern goes away.

### **8D-24. Sync Trigger Flip-Flop** (see schematic 8D-2)

The Sync Trigger FF synchronizes the trigger with Phase C (LPHC), which is one fourth the sample rate (the rate that data is stored in memory).

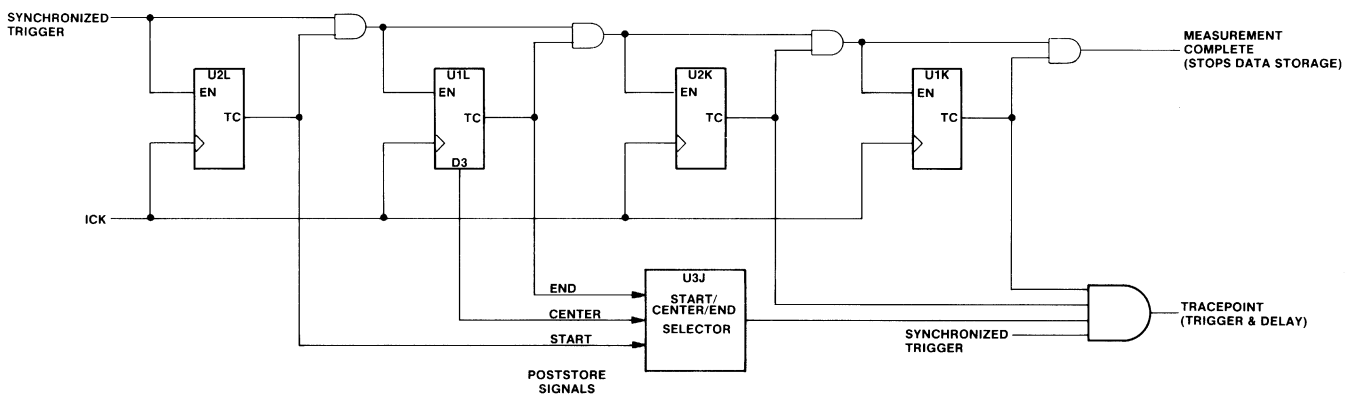


Figure 8D-6. Delay/Poststore Counter

### 8D-25. Delay/Poststore Counter (see schematic 8D-2)

When a valid trigger pattern is recognized, data will still continue to be stored. The trigger may be delayed by some amount. This delayed trigger is called Tracepoint--trigger + delay. And even when tracepoint occurs, the measurement may still not be stopped. The additional data stored after tracepoint is called Poststore--the distance in memory between Tracepoint and Measurement Complete. Poststore determines where tracepoint will be displayed--at the Start, Center, or End. Measurement Complete, then, equals trigger + delay + poststore.

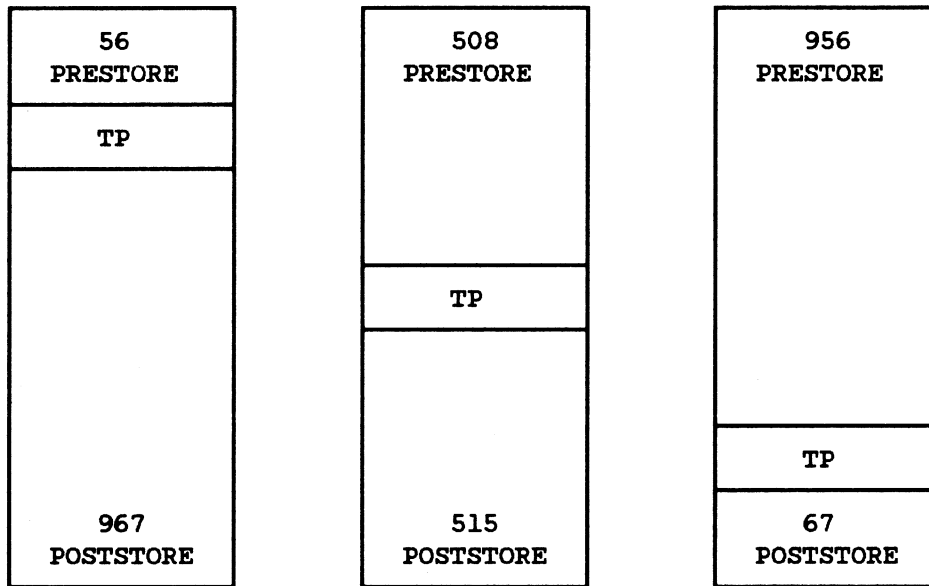
**8C-26. DELAY.** When the operator wishes to observe data downstream from a valid trigger pattern, the CPU will pre-load the delay counter with the amount of delay desired before data storage is to be stopped. The valid trigger signal starts the delay counter. When the counter reaches terminal count (FFFFH), it stops further data storage--Measurement Complete.

For maximum delay, the CPU would load the counter to 0000H: then the counter must count all the way to FFFFH to reach terminal count. Minimum delay would be a pre-load of FFFFH, since terminal count then occurs immediately. Because the counter runs at one-fourth the sample rate, maximum possible delay, plus poststore, is four times 65,536 samples.

**8D-27. POSTSTORE.** Assuming no delay, the counter would be loaded to the following values for Start, Center, or End trace.

START: FFOFH  
 CENTER: FF80H  
 END: FFF0H

For Start, Center, and End, display memory will therefore contain the proportions of prestore and poststore data shown in figure 8D-7.



*Figure 8D-7. Start/Center/End Proportions*

**8-28. START-TRACE.** For Start-Trace, the counter is preloaded to FFOFH, but it cannot begin counting until the trigger has been armed by the Prestore Valid FF, which ensures a minimum prestore. This allows the trigger to be observed even when it occurs at the beginning of the display. In the case of Start-Trace, minimum prestore is 56 samples.

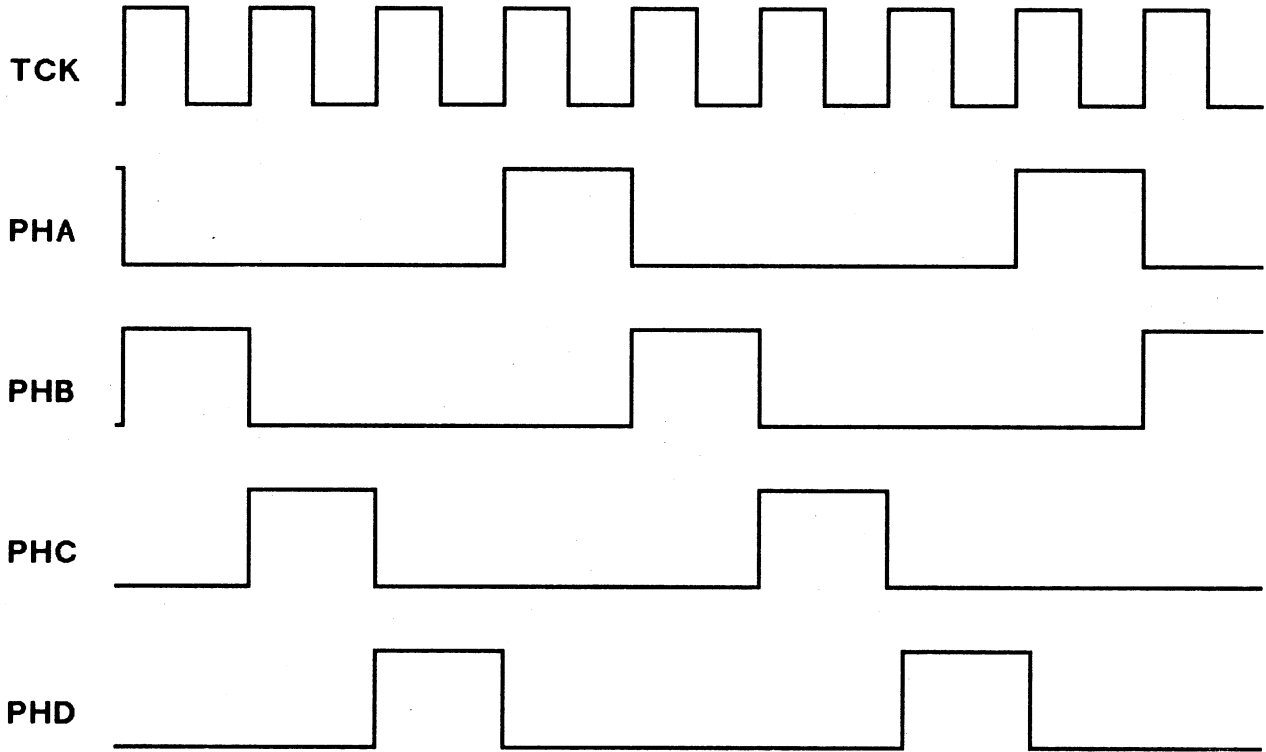
For Start-Trace, The CPU has previously programmed the Start/Center/End Selector (U3J) to select the terminal count of the least significant counter (U2L). For a preload of FFOFH, this terminal count will be true as soon as the delay counter begins counting. Tracepoint Latched will then occur immediately. Tracepoint will be stored in one of the next four positions after the prestore of 56 samples.

For poststore after a start-trace, the delay counter must now count from FFOFH to its terminal count, FFFFH, before the measurement is stopped. Poststore is then approximately four times the subtraction of FFFFH minus FFOFH.

When delay is desired, it is subtracted from the Start-Trace preload, FFOFH. For example, a delay of 60 sample clocks would require the delay counter to be loaded with FFOFH minus 15--since the counter counts at 1/4 the sample rate--or FFO0H. The counter must then count 15 additional times to reach FFFFH and stop the measurement.

**8-29. END-TRACE.** Now the delay counter is preloaded to FFF0H, and the Start Center/End Selector selects the terminal count of the second counter (U1L). The Prestore Valid FF arms the trigger after approximately 956 samples have been stored. If a trigger has occurred, the delay counter is started and reaches terminal count after approximately 60 samples of poststore.

Any desired delay is subtracted from the End-Trace preload of FFF0H. For a delay of 960 sample clocks, for example, the counter preload would be FF00H. The counter must then count an additional 240 times (at 1/4 the sample rate) before it can stop the measurement.



*Figure 8D-8. Phase Waveforms--Timing Mode*

### **8D-30. Clock Generation** (see schematic 8D-3)

The Clock Generator consists primarily of a 200 MHz oscillator, dividers, and multiplexers which select sample rates for the timing analyzer.

The timing clock is selected by the CPU at the multiplexer (U8C). The multiplexer selects 10 MHz, 20 MHz, 40 MHz, 100 MHz, 200 MHz, or the CPU clock. The CPU clock is used for Self-Test. The frequency selected by the multiplexer is further divided in the final flip-flop (U9D) and sent to the motherboard and other parts of the timing system.

The Start Synchronizers are two flip-flops (9C) making up a shift register which allows the clock to start cleanly.

### **8D-31. Phase Generation** (see schematic 8D-4)

The phase generator uses the timing clock (TCK) to generate four phases which ensure the proper relationship between different parts of the timing analyzer.

Phase A drives the macrocells.

Phase B drives the address and index clocks, which clock the memory address counter and the poststore counter, respectively.

Phase C drives the macrocells. The trigger signal from the pattern duration filter is synchronized to Phase C.

Phase D drives the Write Enable Selector (U9H), which writes incoming data samples into RAM (via LWE1, LWE2). Also clocks the Memory Address Latches (U5K, 5L), which store the current address of the Memory Address Counters when Tracepoint goes true.

### **8D-32. Hold/Encoder State Counter** (see schematic 8D-4)

This counter performs a dual function.

**8D-33. HOLD.** At the beginning of a run, the counter counts to 16 before de-activating the HOLD line. As long as the HOLD line is active, no data is clocked into memory. This clears the macrocells of old data from past runs, so that only new data is stored.

**8D-34. ENCODER.** The two least significant counter bits track the macrocell encoders, which store four bytes at a time in memory. The latched trigger stops the counter. When the counter is stopped, the CPU reads the code, and uses this and the Memory Address Counter output to determine exactly where in memory the trigger is stored.

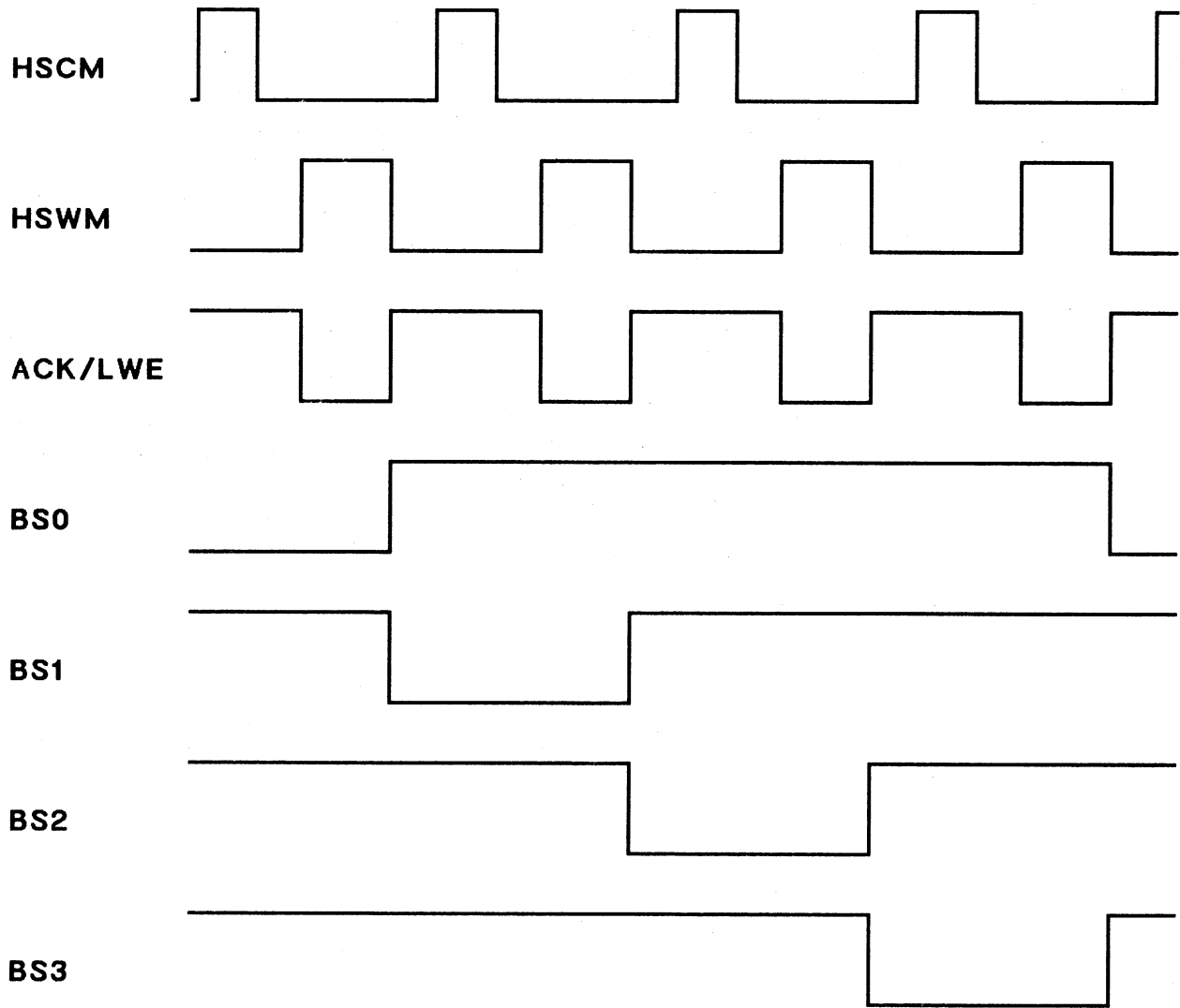


Figure 8D-9. Memory Write Waveforms--State Mode



**8D-35. CPU Interface** (see schematic 8D-5)

**8D-36. READ SELECTORS (U3K-4K, U3L-4L).** By multiplexing Status, Data, and Address bits, the Read Selectors allow the CPU to interrogate the timing analyzer. The CPU uses the address information to load all the timing acquisition memory data into its own RAM on the CPU board. The tracepoint address and the two encoder bits (ENCO, ENC1) tell the CPU where to find tracepoint in acquisition memory. HMEMFUL, another status bit, tells whether all the data in timing acquisition memory is valid, in case of a partial run.

**8D-37. MODE SELECT LATCH (U5C).** The CPU programs some of the analyzer via the Mode Select Latch. By means of PSO and PS1, it can select Start, Center, or End Trace. When HARMD is high, the Timing Analyzer can arm the State Analyzer; when it is low, State arms Timing. HBNC sends the trigger from the output of the Pattern Duration Filter to the BNC connector. HSSEL determines whether the timing board is in the State or Timing mode. HGL selects Glitch Mode.

**8D-38. WRITE STROBE DEMULTIPLEXER (U4D).** The CPU writes to the timing analyzer, providing clocks and enable signals for different analyzer functions, by means of the Write Strobe Demultiplexer. The following is a list of clocks coming out of the demux:

|           |   |
|-----------|---|
| LPE1,LPE2 | Parallel enable signals for the Delay/Poststore Counter.  |
| CPUCK     | Timing clock from the CPU for PV purposes.  |
| SCK       | Allows the CPU to abort a run, to generate HRST, or to break the measurement complete loop for Self-Test. |
| LMACRST   | Resets the Memory Address Counter.  |
| PCK       | Loads the Pattern Duration Selector.  |
| SELCK     | Programs the sample rate.   |
| HRST      | Master Reset for the timing analyzer.   |
| LOADCK    | Loads the index clock to the poststore counter.   |
| READCK    | Loads the address clock to the memory address counter.  |

**8D-39. STATE MODE.** The timing master board can be run in the state mode as a part of the state analyzer. In this case HSCM (State Clock Master) and HSWM (State Write Master) are supplied by the state board. Figure 8D-9 shows the relationship between the different memory write signals in the state mode. Unlike the timing mode, where all block selects are active at the same time for writing the 32-bit word, only one block select at a time is active in the state mode.

## 8C-40. MNEMONICS

The following signals, listed in alphabetical order, are used on the Timing Board. Active high signals have "H" as the first letter; active low signals have "L". All signals on the Timing Master board are ECL. Worst case voltage levels are as follows: LOW = less than -1.50V; HIGH = greater than -1.10V.

*Table 8D-2. Mnemonics*

| Mnemonic                 | Description   |  |
|--------------------------|---|--|
| A0-7                     | Address outputs from the memory address latches.  |  |
| ACK                      | Memory Address counter clock. Increments the address counters.  |  |
| CPUCK                    | CPU clock. Sample clock during Self-Test.   |  |
| D0-7                     | Memory data outputs.  |  |
| ENC0,1                   | Two-bit code pointing to the RAM where tracepoint is stored.  |  |
| GS1                      | Ground sensing from the timing probe.   |  |
| HA0-7                    | Motherboard address bus.  |  |
| HABORT                   | Abort. Allows a user to stop a run.   |  |
| HARMD                    | Arm drive. Timing arms State. When low, State arms Timing.  |  |
| HBNCD                    | BNC drive. Enables pattern trigger to drive BNC output.   |  |
| HDO-7                    | Motherboard data bus.   |  |
| HGL                      | Glitch. Allows glitch detection and triggering on 4 channels.   |  |
| LBRK                     | Break. Used in Self Test to break the Measurement Complete loop.  |  |
| LAM<br>LBM<br>LCM<br>LDM | } State patterns from Timing Master to State.   |  |
| HGM                      |   | Glitch trigger (master), from the macrocells.          |
| HMACRD                   |   | Memory address counter read. Enables MAC read.         |
| HMC                      |   | Measurement complete. Stops data sampling and storage. |
| HMSS                     | Macrocell State select. Puts macrocells in the State Mode--with HSSEL puts the Timing Master board in the state mode. |  |
| HOLD                     | Prevents data storage (MAC counting) until 16 sample clocks pass.   |  |

Table 8D-2. Mnemonics (Cont'd)

| <b>Mnemonic</b> | <b>Description</b>  |
|-----------------|---|
| HPHA-D          | Four timing clock phases for different analyzer functions.  |
| HPVD            | Prestore valid. Enables trigger to occur after minimum prestore.                                    |
| HR/LW           | High read/low write. The CPU either programs or reads analyzer.                                     |
| HRST            | Reset. Master reset derived from the CPU.   |
| HSCM            | State clock (master). State sample clock to the macrocells.   |
| HSSEL           | State select. With HMSS puts Timing in the State Mode.  |
| HTPL            | Tracepoint latched. Trigger + Delay Latched.  |
| HTRIG           | Latched trigger. From the ANDed glitch and pattern triggers.  |
| HTSEL           | Timing select. Selects Timing block select mode (all true).   |
| ICK             | Index clock. Increments the delay/poststore counter and the run-status latches.                     |
| LARM            | ARM. Allows the valid timing pattern from the macrocells to pass on to the pattern duration filter. |
| SELCK           | Select clock. Allows the CPU to select the sample rate.   |
| TCK 1-3         | Timing sample clock.  |
| THR 1           | Threshold to timing probe.  |
| LE2             | Macrocell programming enable.   |
| LMACRST         | Memory address counter reset derived from the CPU.  |
| LMCI            | Measurement complete interrupt to the CPU.  |
| LMF             | Memory full (at least once) from the Wrap-around FF.  |
| LOADCK          | Load Clock. The CPU loads the delay/poststore counter.  |
| LPE 1,2         | Poststore enables. Enable delay/poststore counter for loading.                                      |
| LSTB            | CPU strobe to read or write to the analyzer.  |
| LTM             | Valid timing pattern (master), from the macrocells.   |
| LWE 1,2         | Write enables to acquisition RAM, from timing clock (phase D).                                      |

*Table 8D-2. Mnemonics (Cont'd)*

| <b>Mnemonic</b> | <b>Description</b>  |
|-----------------|---|
| MA0-7           | Memory address counter outputs.   |
| MA7             | Memory address counter output indicating count 128 to the Start/Center/End Selector.              |
| MACTC1          | Memory address counter terminal count (15) from first counter to the Start/Center/End Selector.   |
| MACTC2          | Memory address counter terminal count (255) from second counter to the Start/Center/End Selector. |
| PCK             | Pattern clock. Clocks the pattern duration selector.  |
| PS0,1           | Selects poststore decoded states for Start/Center/End.  |
| READCK          | Read clock. Increments the memory address counter each time the CPU reads memory.                 |
| SCK             | Stop clock. Allows the CPU to abort or break operation.   |

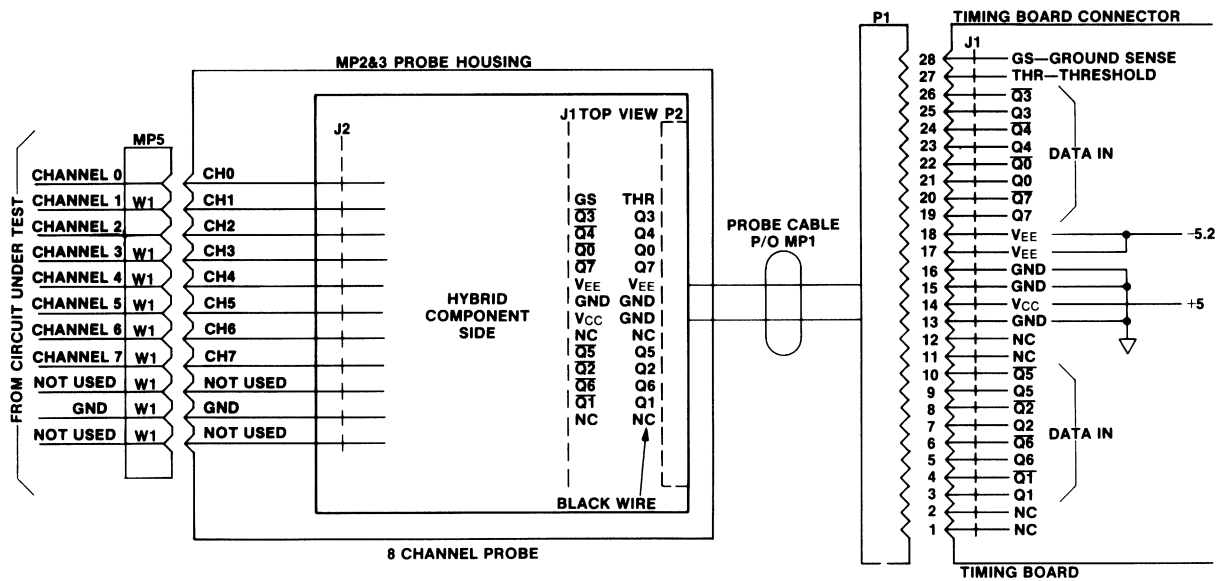


Figure 8D-10. Timing Pod  
8D-21

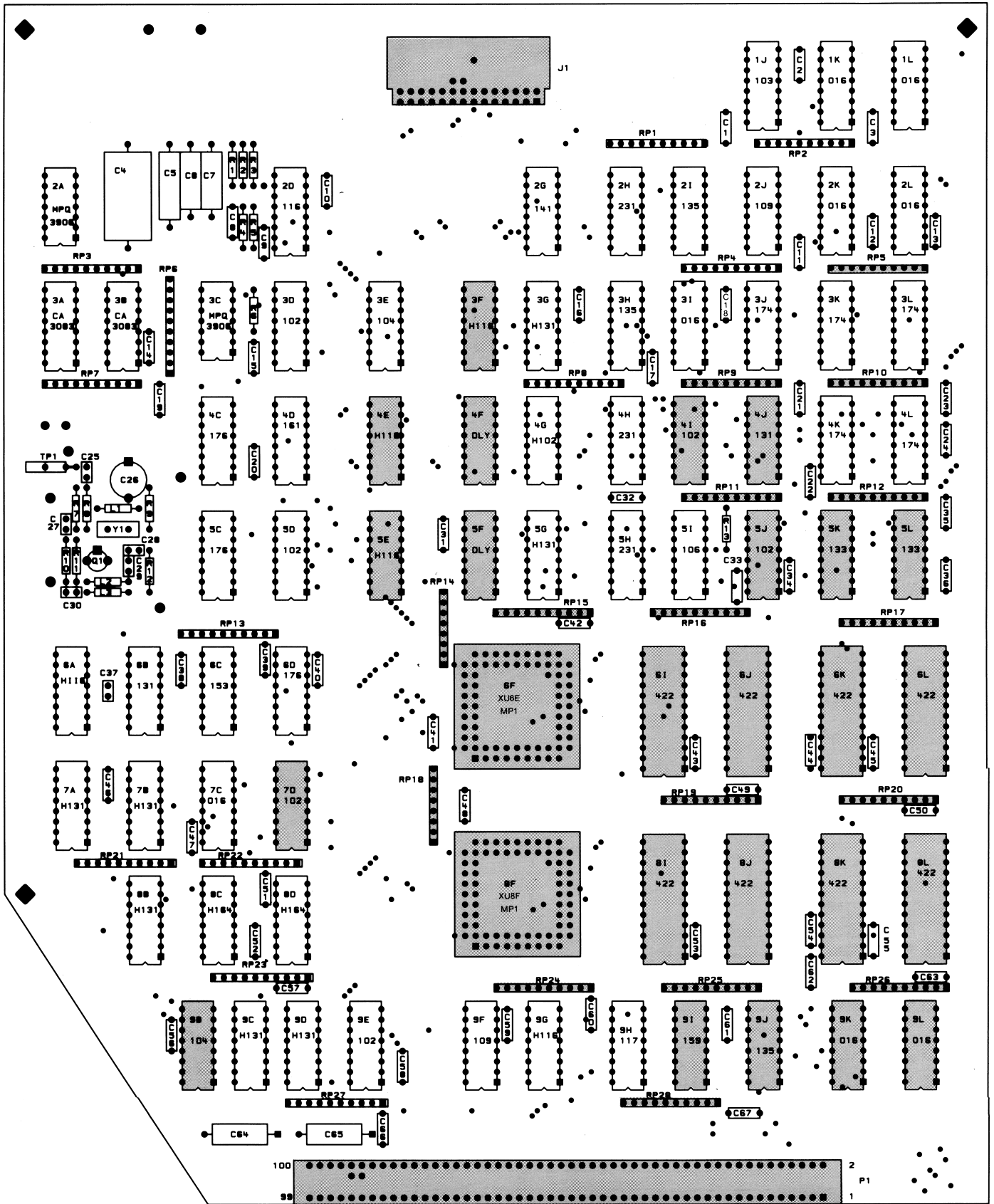
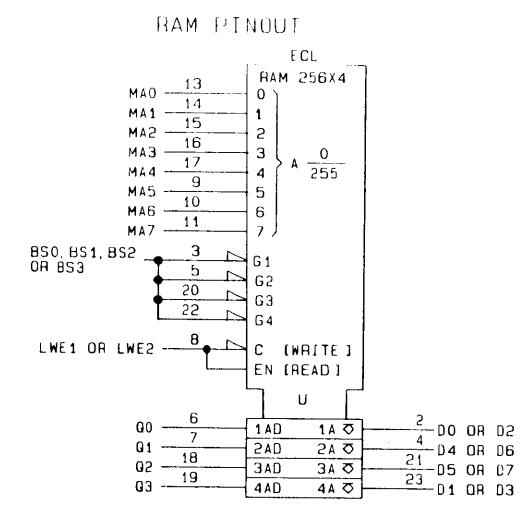


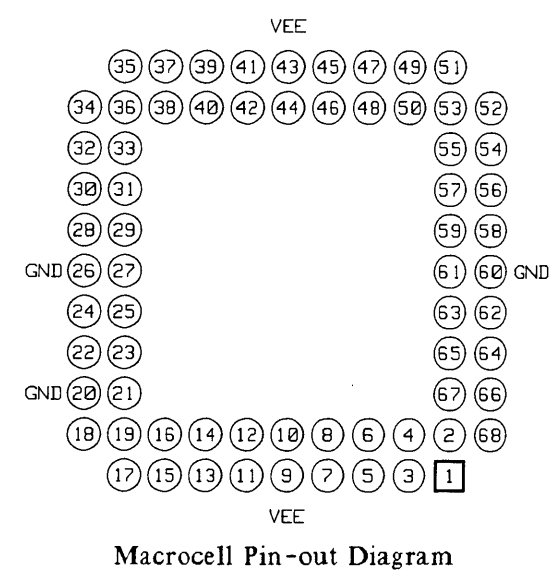
Figure 8D-11. Timing Master Component Locator

NOTE 1

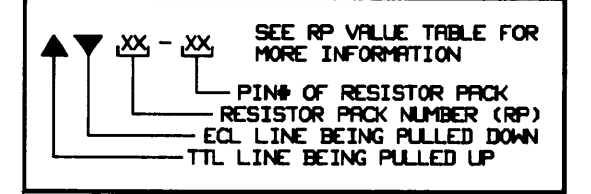


IC DEVICE POWER CONNECTIONS

| SUPPLY     | PIN NO.    | IC GROUP                                |
|------------|------------|---|
| Vcc1 (gnd) | 1          | U3F, 4E, 4I, 4J, 5E, 5J-L, 7D, 9B, 9J-L |
| Vcc2 (gnd) | 8          |   |
| Vcc1 (gnd) | 1          | U6I-6L, 8I-8L                           |
| Vcc2 (gnd) | 24         |   |
| Vcc(-5.2)  | 12         |   |
| Vcc (gnd)  | 16         | U8I                                     |
| Vcc(-5.2)  | 8          |   |
| -5.2 GND   | 9, 43      | U6F, 8F                                 |
|            | 20, 26, 60 |   |



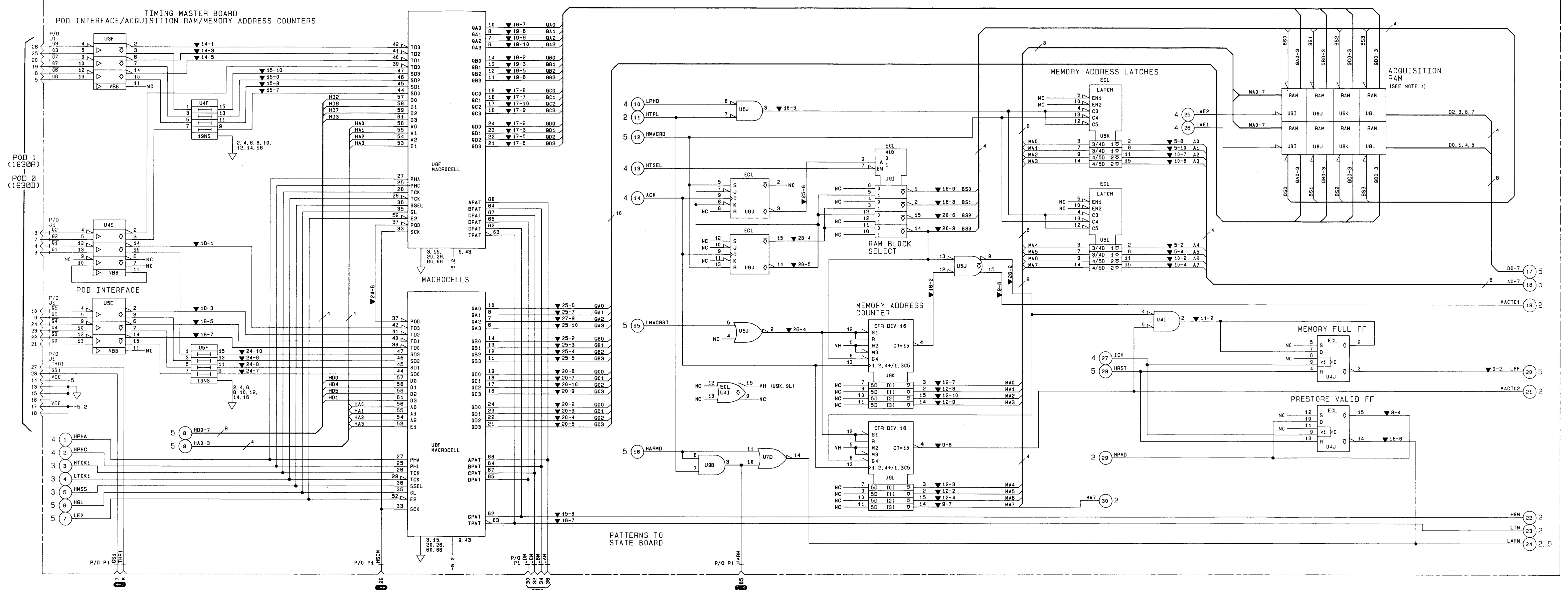
RESISTOR PACK DESCRIPTIONS:



| RP#                                    | RESISTOR VALUE | POWER PIN  | VOLTAGE |
|--|----------------|------------|---------|
| 1, 2, 4, 5, 7-13, 15-17, 19-23, 14, 18 | 100 X 9        | 1          | -2.4    |
|  | 100 X 4        | 2, 4, 6, 8 | -2.4    |

PARTS ON THIS SCHEMATIC

|   |
|---|
| U3F, 4E, F, 4I, 4J, 5E, 5J-L, 6F, 6I-L, 7D, 8F, 8I-L, 9B, I-L |
| J1  |
| P1  |
| RP5, 9-12, 14-20, 24-26, 28                                   |



PATTERNS TO STATE BOARD

Figure 8D-12. Timing Master Schematic (1 of 5)  
8D-23



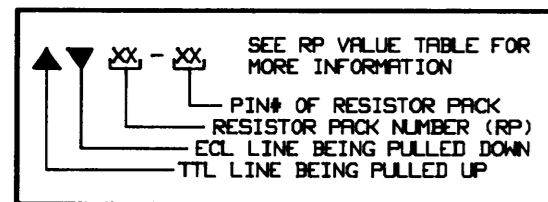
Figure 8D-11. Timing Master Component Locator



**IC DEVICE  
POWER CONNECTIONS**

| SUPPLY     | PIN NO. | IC GROUP        |
|------------|---------|-----------------|
| Vcc1 (gnd) | 1       | UIJ-L, 2G-L,    |
| Vcc2 (gnd) | 16      | 3G, 3J, 4C, 4G, |
| Vee (-5.2) | 8       | 4I, 5G, 5I      |

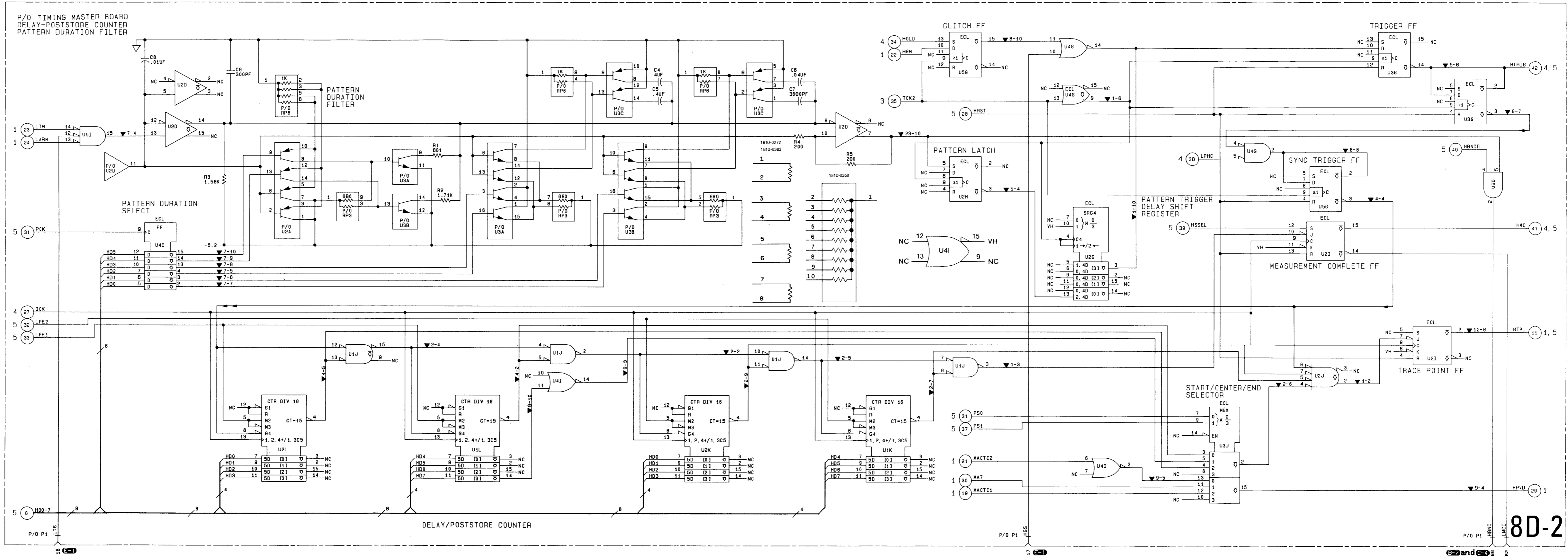
**RESISTOR PACK DESCRIPTIONS:**



| RP#                                     | RESISTOR VALUE | POWER PIN  | VOLTAGE |
|---|----------------|------------|---------|
| 1, 2, 4, 5, 7, 13, 15-17, 19-23, 14, 18 | 100 X 9        | 1          | -2.4    |
|   | 100 X 4        | 2, 4, 6, 8 | -2.4    |

**PARTS ON THIS SCHEMATIC**

|  |  |
|--|--|
| UIJ-L, 2A, 2D, 2G-L,<br>UGA-C, 3G, 3J, 4C,<br>4G, 4I, 5G, 5I |  |
| C4-9   |  |
| P1   |  |
| R1-5   |  |
| RP1-9, 12, 23  |  |



**8D-2**

Figure 8D-12. Timing Master Schematic (2 of 5)

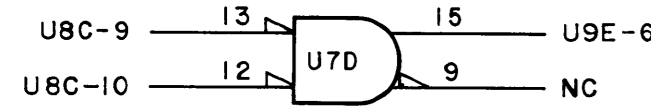


Figure 8D-11. Timing Master Component Locator

NOTES 1 & 2

ON TIMING MASTER BOARD OI630-66506, GATES U7D A and U7D D ARE SWAPPED. THESE ARE THE CIRCUITS ON THAT BOARD.

NOTE 1:

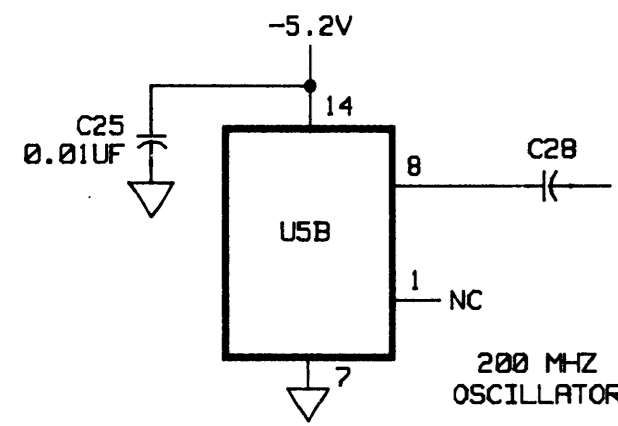


NOTE 2:



NOTE 3

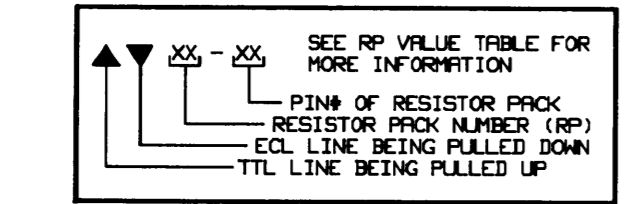
OSCILLATOR CIRCUIT FOR TIMING MASTER BOARD OI630-66524.



**IC DEVICE POWER CONNECTIONS**

| SUPPLY     | PIN NO. | IC GROUP         |
|------------|---------|------------------|
| Vcc1 (gnd) | 1       | U6A-6D, 7A-7D,   |
| Vcc2 (gnd) | 16      | 8B-8D, 9C-9E, 9G |
| Vcc (-5.2) | 8       |                  |

**RESISTOR PACK DESCRIPTIONS:**



| RP#                                    | RESISTOR VALUE | POWER PIN  | VOLTAGE |
|--|----------------|------------|---------|
| 1, 2, 4, 5, 7-13, 15-17, 19-23, 14, 18 | 100 X 9        | 1          | -2.4    |
|  | 100 X 4        | 2, 4, 6, 8 | -2.4    |

**PARTS ON THIS SCHEMATIC**

|   |                                       |
|---|---------------------------------------|
| U6A-6D, 7A-7D,<br>U6B-8D, 9C-9E, 9G<br>C25-30, 37<br>L1-3<br>P1<br>R7-12<br>TP1<br>Q1 | Y1<br>RP1, 4, 8, 13, 15,<br>21-23, 27 |
|---|---------------------------------------|

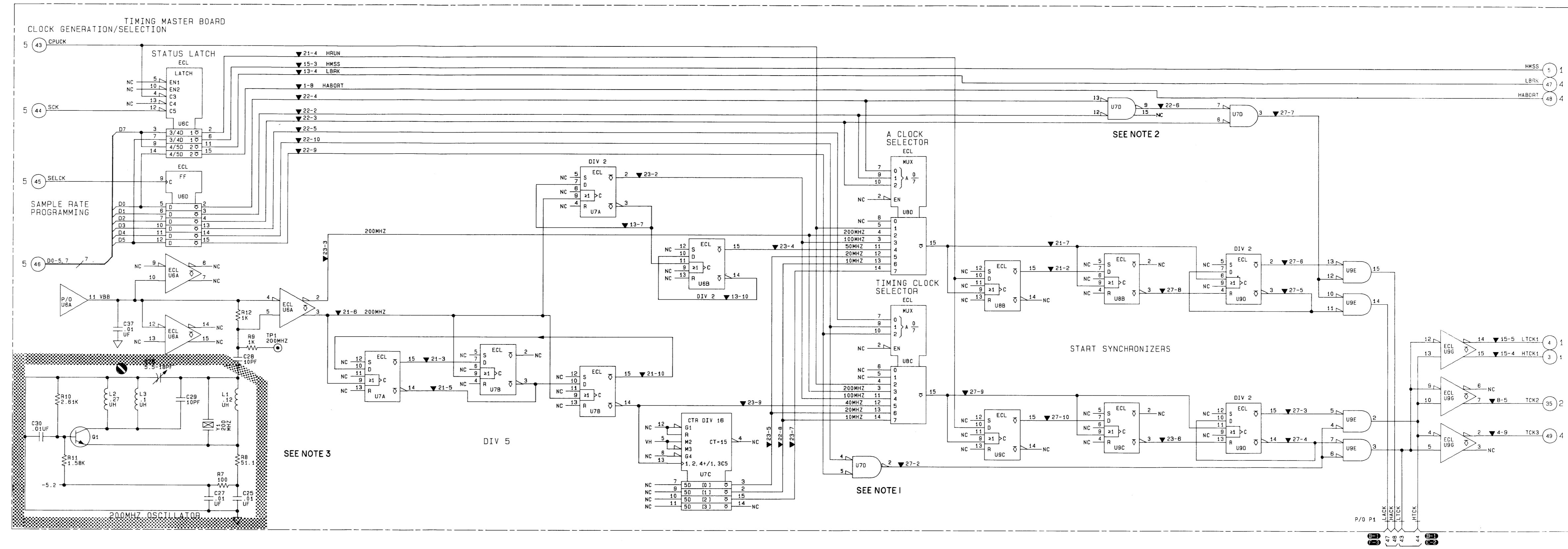


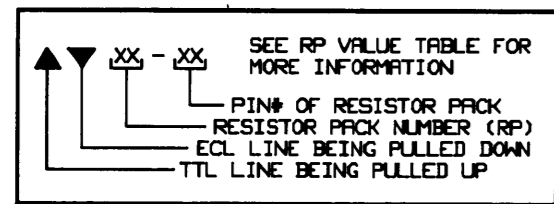


Figure 8D-11. Timing Master Component Locator

**IC DEVICE POWER CONNECTIONS**

| SUPPLY     | PIN NO. | IC GROUP                            |
|------------|---------|-------------------------------------|
| Vcc1 (gnd) | 1       | U2H, 3E, 3H, 3I, 4H, 5H, 5I, 5J, 9H |
| Vcc2 (gnd) | 16      |                                     |
| Vee (-5.2) | 8       |                                     |

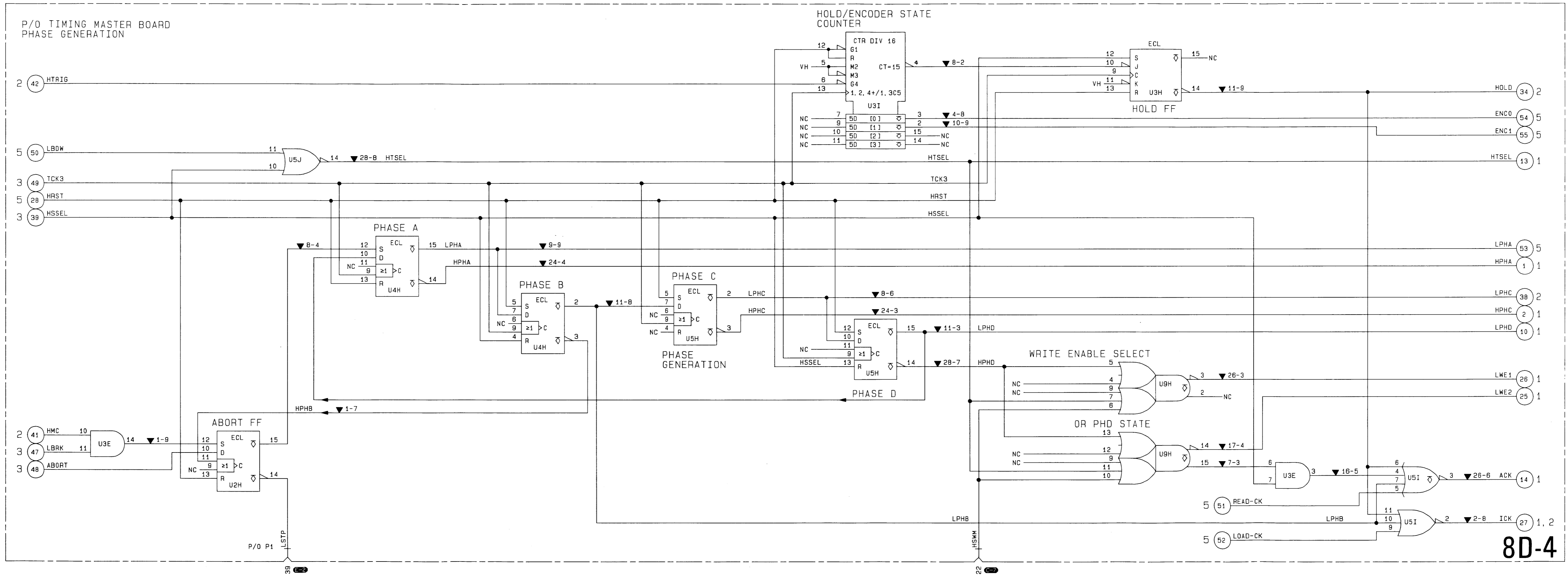
**RESISTOR PACK DESCRIPTIONS:**



| RP#                                    | RESISTOR VALUE | POWER PIN  | VOLTAGE |
|--|----------------|------------|---------|
| 1, 2, 4, 5, 7-13, 15-17, 19-23, 14, 18 | 100 X 9        | 1          | -2.4    |
|  | 100 X 4        | 2, 4, 6, 8 | -2.4    |

**PARTS ON THIS SCHEMATIC**

|  |  |
|--|--|
| U2H, 3E, 3H, 3I, 4H, U5H-J, 9H, U5I, 65, 37, P1, RP1, 2, 4, 7-11, 16, 17, 24, 26, 28 |  |
|--|--|



**8D-4**

Figure 8D-12. Timing Master Schematic (4 of 5)  
8D-29

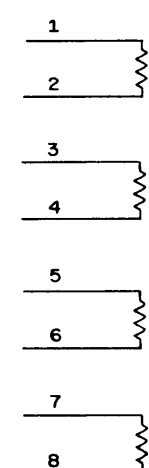


Figure 8D-11. Timing Master Component Locator

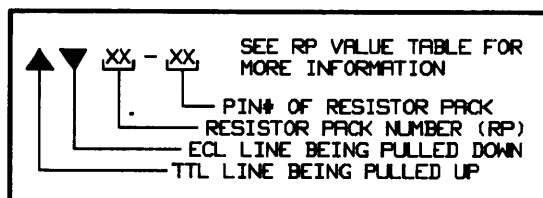
**IC DEVICE POWER CONNECTIONS**

| SUPPLY    | PIN NO. | IC GROUP                                    |
|-----------|---------|---|
| Vcc1(gnd) | 1       | U2J, 3D, 3K, 3L, 4D, 4I, 4K, 4L, 5C, 5D, 9F |
| Vcc2(gnd) | 16      |   |
| Vee(-5.2) | 8       |   |

**NOTE 1**



**RESISTOR PACK DESCRIPTIONS:**

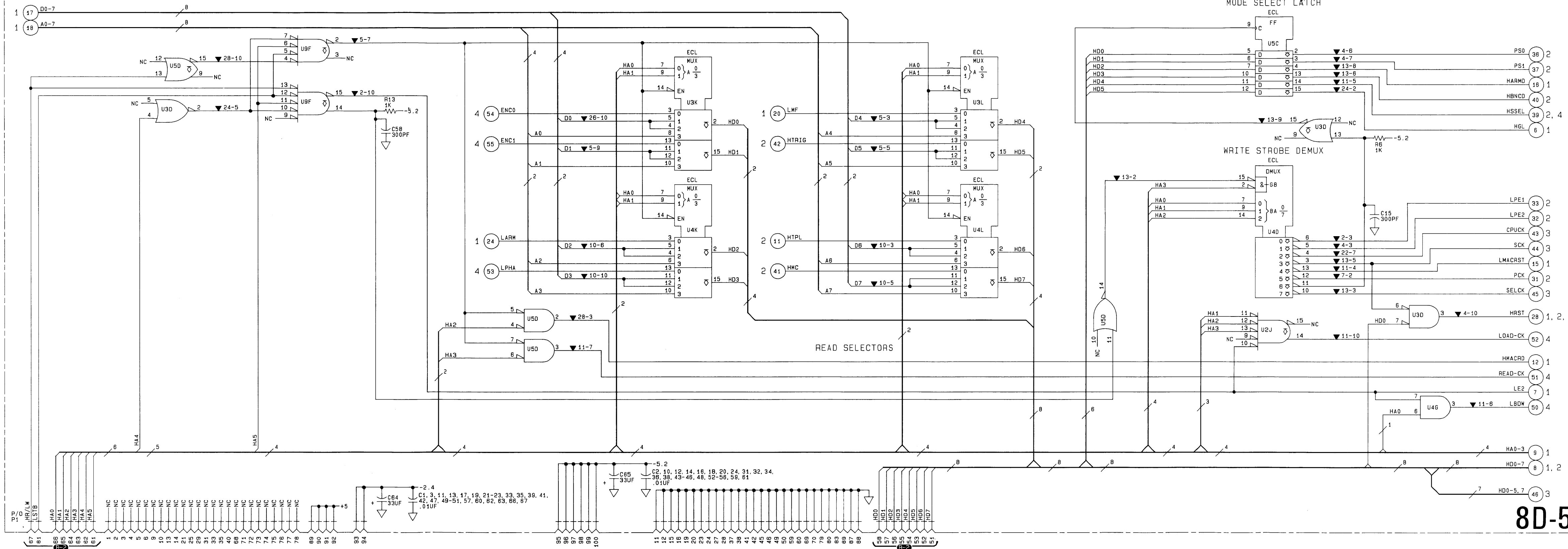


| RP#                                    | RESISTOR VALUE | POWER PIN  | VOLTAGE |
|--|----------------|------------|---------|
| 1, 2, 4, 5, 7-13, 15-17, 19-23, 14, 18 | 100 X 9        | 1          | -2.4    |
|  | 100 X 4        | 2, 4, 6, 8 | -2.4    |

**PARTS ON THIS SCHEMATIC**

|  |
|--|
| U2J, 3D, 3K, 3L, 4D, U4I, 4K, 4L, 5C     |
| C1-3, 8, 10-24, 31-36, 38-63, 66, 67     |
| P1                                       |
| R6, 13                                   |
| RP2, 4, 5, 7, 10, 11, 13, 22, 24, 26, 28 |

**P/O TIMING MASTER BOARD CPU INTERFACE**



**8D-5**

Figure 8D-12. Timing Master Schematic (5 of 5)  
8D-31/(8D-32 blank)

## Service Group 8E Table of Contents

| Paragraph |                                  | Page |
|-----------|----------------------------------|------|
| 8E-1.     | Introduction . . . . .           | 8E-1 |
| 8E-2.     | General . . . . .                | 8E-1 |
| 8E-3.     | State Mode . . . . .             | 8E-1 |
| 8E-4.     | Memory Address Counter . . . . . | 8E-1 |
| 8E-5.     | Glitch Mode . . . . .            | 8E-2 |
| 8E-6.     | Clock Phasing. . . . .           | 8E-2 |
| 8E-7.     | Mnemonics . . . . .              | 8E-3 |

## List of Illustrations

| Figure |  | Page |
|--------|--|------|
| 8E-1.  | Timing Pod . . . . .                     | 8E-5 |
| 8E-2.  | Timing Slave Component Locator . . . . . | 8E-6 |
| 8E-3.  | Macrocell Pin-out Diagram . . . . .      | 8E-7 |
| 8E-4.  | Timing Slave Schematic . . . . .         | 8E-7 |

## List of Tables

| Table |   | Page |
|-------|---|------|
| 8E-1. | Timing Master and Slave Board Comparisons . . . . . | 8E-1 |
| 8E-2. | Mnemonics . . . . .                                 | 8E-3 |



**NOTES**

# SERVICE GROUP 8E TIMING SLAVE

## 8E-1. INTRODUCTION

**8E-2. GENERAL.** The optional Timing Slave board is similar to the Timing Master board in that it contains two macrocells, 1K x 8 RAM, a memory address counter, and clock phasing circuitry. Unlike the master board it does not contain a clock generator, and must receive its clock from either the Timing Master or State Master.

The valid timing or glitch pattern signals from the slave macrocells go to the Timing Master, where they are ANDed with timing and glitch pattern signals from the master macrocells. In the State Mode, the pattern signals from the timing boards are ANDed on the state board with the state pattern signals.

*Table 8E-1. Timing Master and Slave Board Comparisons*

| TIMING MASTER BOARD      | TIMING SLAVE BOARD       |
|--------------------------|--------------------------|
| Pod Interface (8-bit)    | Pod Interface (8-bit)    |
| Macrocells (2)           | Macrocells (2)           |
| Acquisition RAM (1K x 8) | Acquisition RAM (1K x 8) |
| Pattern Duration Filter  |                          |
| Delay/Poststore Counter  |                          |
| Clock Generation         |                          |
| Clock Selection          |                          |
| Clock Phasing            | Clock Phasing            |

**8E-3. STATE MODE.** With the optional slave board and its pod, timing width is increased to 16 channels. The timing slave board may also be used with the master timing board in the State Mode as an extension to the state analyzer, effectively increasing the width of state analysis to 43 bits.

When the 35-bit State/8-bit Timing combination is chosen in the format specification, only the timing slave board can be used with the state board for 35-bit state analysis. This is because only the timing master board has the pattern duration and clock circuitry needed for timing analysis.

In the State Mode the macrocells perform the same function as pattern recognition circuitry on the state board: both the master and slave board send a pattern bit for each of the four possible patterns that can be specified in state analysis. The two bits from master and slave for each pattern are ANDed on the state board.

**8E-4. MEMORY ADDRESS COUNTER.** The slave board's memory address counter is the same as that on the timing master board: An 8-bit counter selects one of 256 8-bit locations in a block of RAM; and a Block Selector chooses one of four 256-blocks.

**8E-5. GLITCH MODE.** As with master timing, glitches may be specified for detection or triggering on four of the eight timing slave board channels.

**8E-6. CLOCK PHASING.** A ring counter driven by the master timing board clock generates the four phases needed to synchronize the different functions on the board. For example, write-enable pulses for the memory are synchronized to phase "D" of the generator when the timing analyzer is in the timing mode. When the timing analyzer is being run as an adjunct of the state analyzer, the write-enable pulses are synchronized to a state control signal. The memory address clock is derived from Phase B. Phases A and C are sent to the macrocells.

## 8E-7. MNEMONICS.

The following signals, listed in alphabetical order, are used on the State Board. Active high signals have "H" as the first letter; active low signals have "L". All signals on the Timing and State boards are ECL. Worst case voltage levels are as follows: LOW = less than -1.50V; HIGH = greater than -1.10V.

*Table 8E-2. Mnemonics*

| Mnemonic                 | Description   |   |
|--------------------------|---|---|
| ACK                      | Address Clock. Increments memory address counter.           |   |
| BS0-3                    | Block Select. Selects a block of RAM for reads or writes.   |   |
| GS1                      | Ground Sense. Reference ground from user system.            |   |
| HA0-5                    | Motherboard address bus.                                    |   |
| HBRS                     | Break Reset. Sets BS0 high and other Block Selects low.     |   |
| HDO-7                    | Motherboard data bus.                                       |   |
| HGL                      | Glitch. Sets the glitch mode on four slave channels.        |   |
| HGS                      | Glitch Slave. Glitch trigger from slave board to master.    |   |
| HMSS                     | Macrocell State Select. Selects the State mode for slave.   |   |
| HOLD                     | Prevents data storage (MAC counting) until after 16 clocks. |   |
| HPHA-D                   | Four timing clock phases for different analyzer functions.  |   |
| HR/LW                    | High read/low write. The CPU programs or reads status.      |   |
| HRST                     | Reset. Resets the memory address counter.                   |   |
| HSCS                     | State Clock Slave. State clock to macrocells in State Mode. |   |
| HSWS                     | State Write Slave. State write enable to RAM in State Mode. |   |
| HTSEL                    | Timing Select. Enables the block selector.                  |   |
| LAS<br>LBS<br>LCS<br>LDS | } Patterns from the macrocells when in the State Mode.      |   |
| LE2                      |   | Enable line to the macrocells.                              |
| LSTB                     |   | Strobe. CPU strobe for reading and writing to timing slave. |

*Table 8E-2. Mnemonics (Cont'd)*

| Mnemonic                   | Description  |
|----------------------------|--|
| LTS                        | Valid Timing Pattern. From slave macrocells to master board. |
| LWE1-2                     | Write Enable. Write enables to acquisition RAM.              |
| MA0-7                      | Memory Address. Memory Address Counter lines to RAM.         |
| LTCK,<br>HTCK              | Timing Clock. From motherboard.                              |
| TCK1 }<br>TCK2 }<br>TCK3 } | Timing Clocks derived from LTCK and HTCK.                    |
| THR1                       | Threshold to the pod from the CPU board                      |

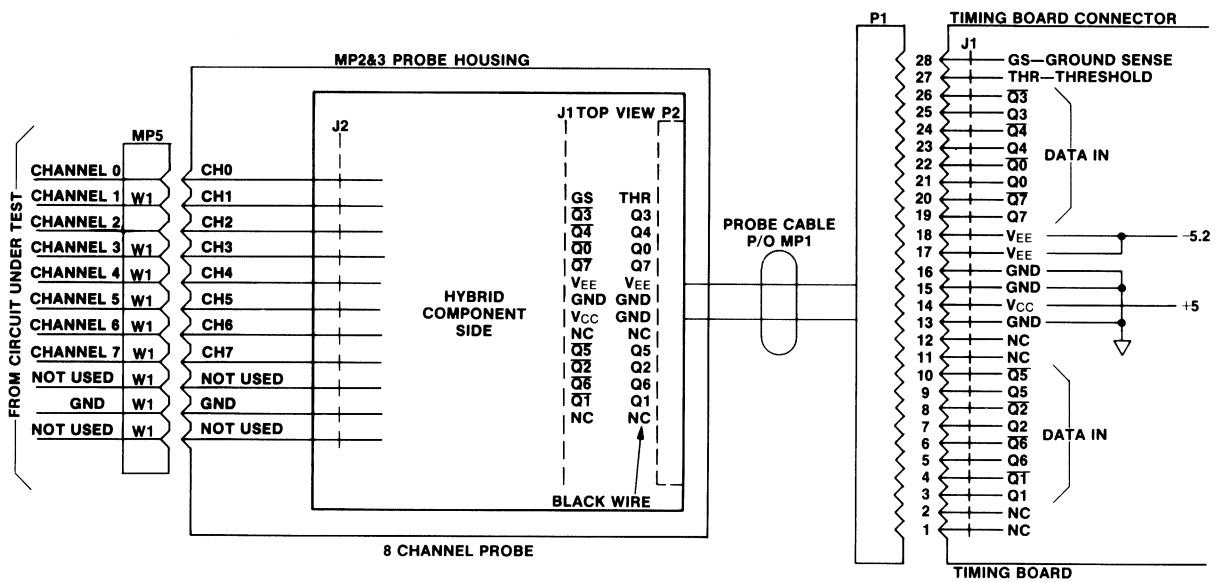


Figure 8E-1. Timing Pod

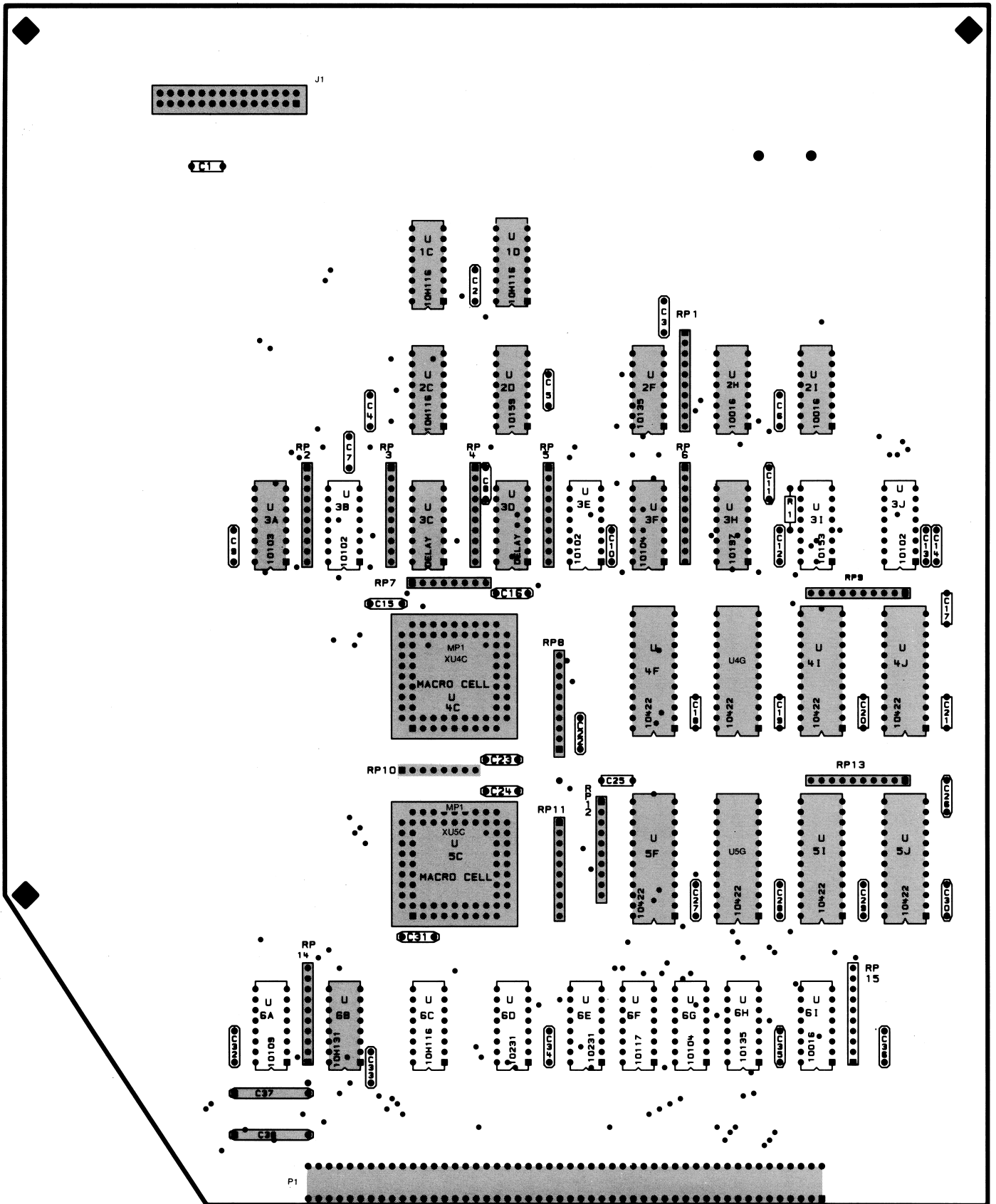
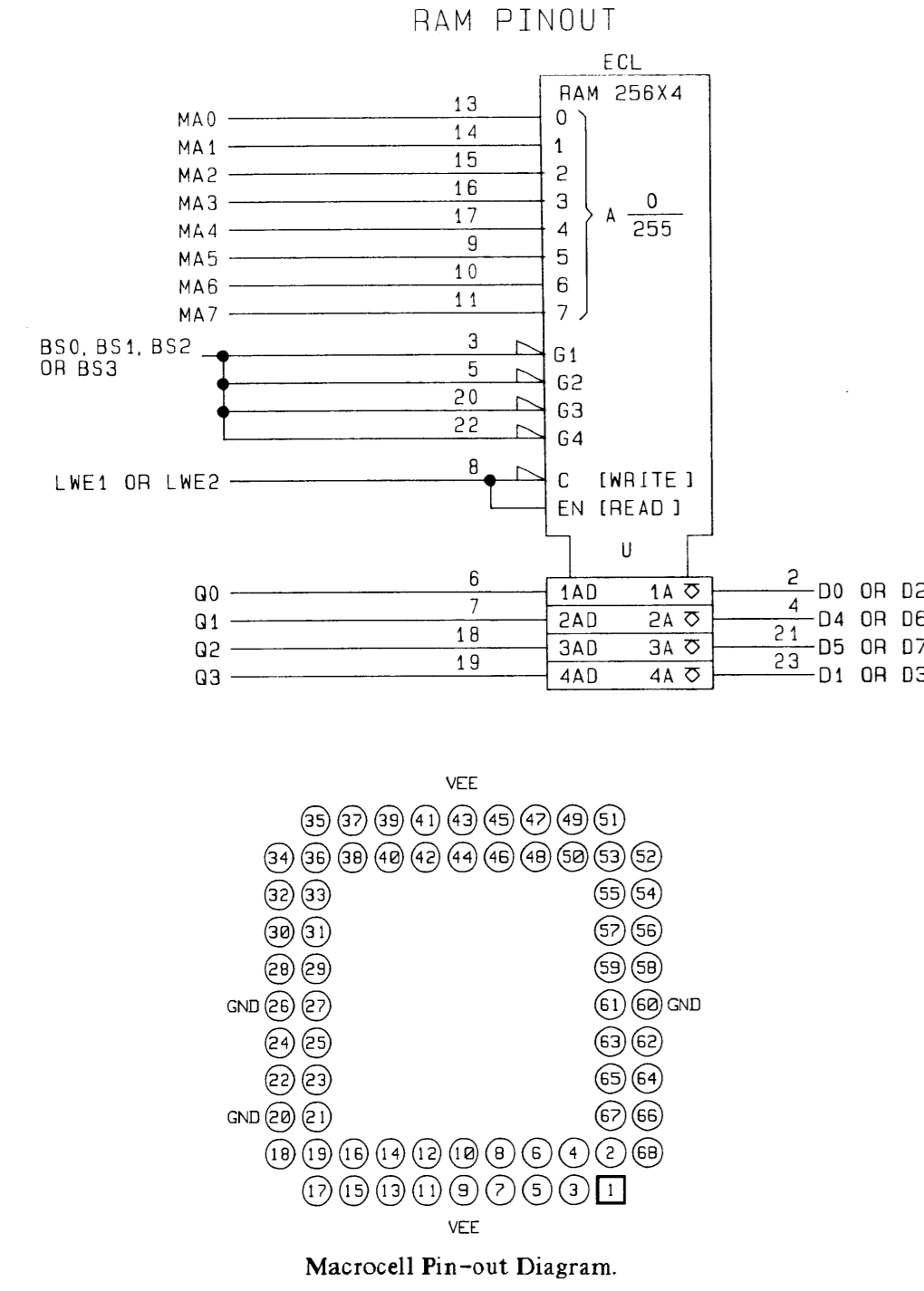


Figure 8E-2. Timing Slave Component Locator

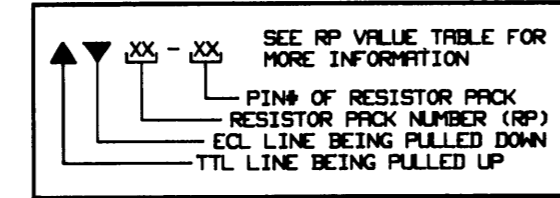
NOTE 1



IC DEVICE POWER CONNECTIONS

| SUPPLY    | PIN NO.    | IC GROUP                            |
|-----------|------------|-------------------------------------|
| Vcc1(gnd) | 1          | U1C, D, 2C, F, H, U2I, 3R, F, H, 5B |
| Vcc2(gnd) | 16         |                                     |
| Vee(-5.2) | 8          |                                     |
| Vcc(gnd)  | 16         | U2D                                 |
| Vee(-5.2) | 8          |                                     |
| Vcc1(gnd) | 1          | U4F, G, I, J, U5F, G, I, J          |
| Vcc2(gnd) | 24         |                                     |
| Vee(-5.2) | 12         |                                     |
| -5.2 GND  | 9, 43      | U4C, 5C                             |
|           | 20, 26, 60 |                                     |

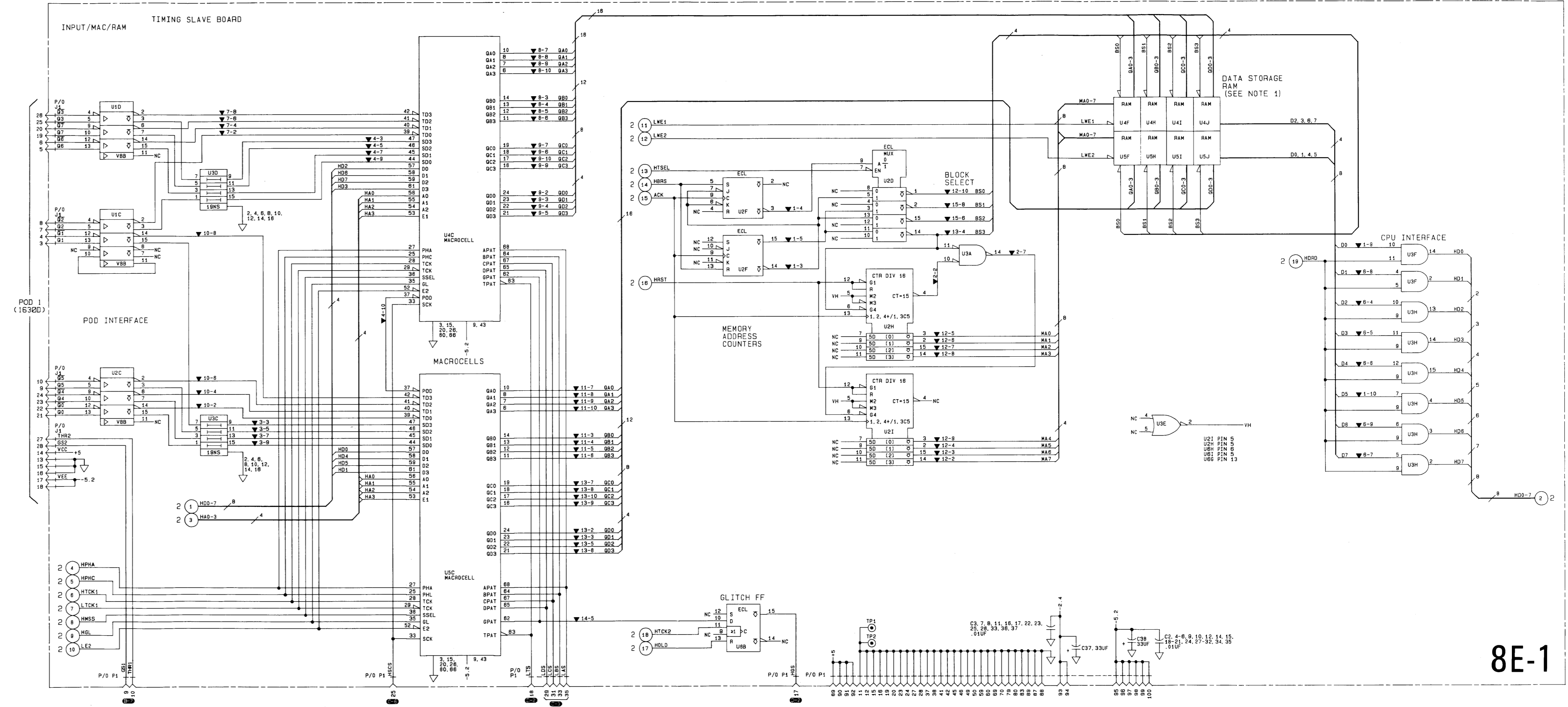
RESISTOR PACK DESCRIPTIONS:



| RP#   | RESISTOR VALUE | POWER PIN  | VOLTAGE |
|-------|----------------|------------|---------|
| 1-6   | 100 X 9        | 1          | -2.4    |
| 8, 9  |                |            |         |
| 11-15 | 100 X 4        | 2, 4, 6, 8 | -2.4    |
| 7, 10 |                |            |         |

PARTS ON THIS SCHEMATIC

|  |  |
|--|--|
| U1C, D, 2C, D, F, H, I<br>U3R, C, D, F, H, 4C, F, G,<br>U4I, J, 5C, F, G, I, J<br>U6B<br>C1-12, 14-38<br>J1<br>RP-1-14 |  |
|--|--|



8E-1

Figure 8E-4. Timing Slave Schematic (1 of 2)  
8E-7



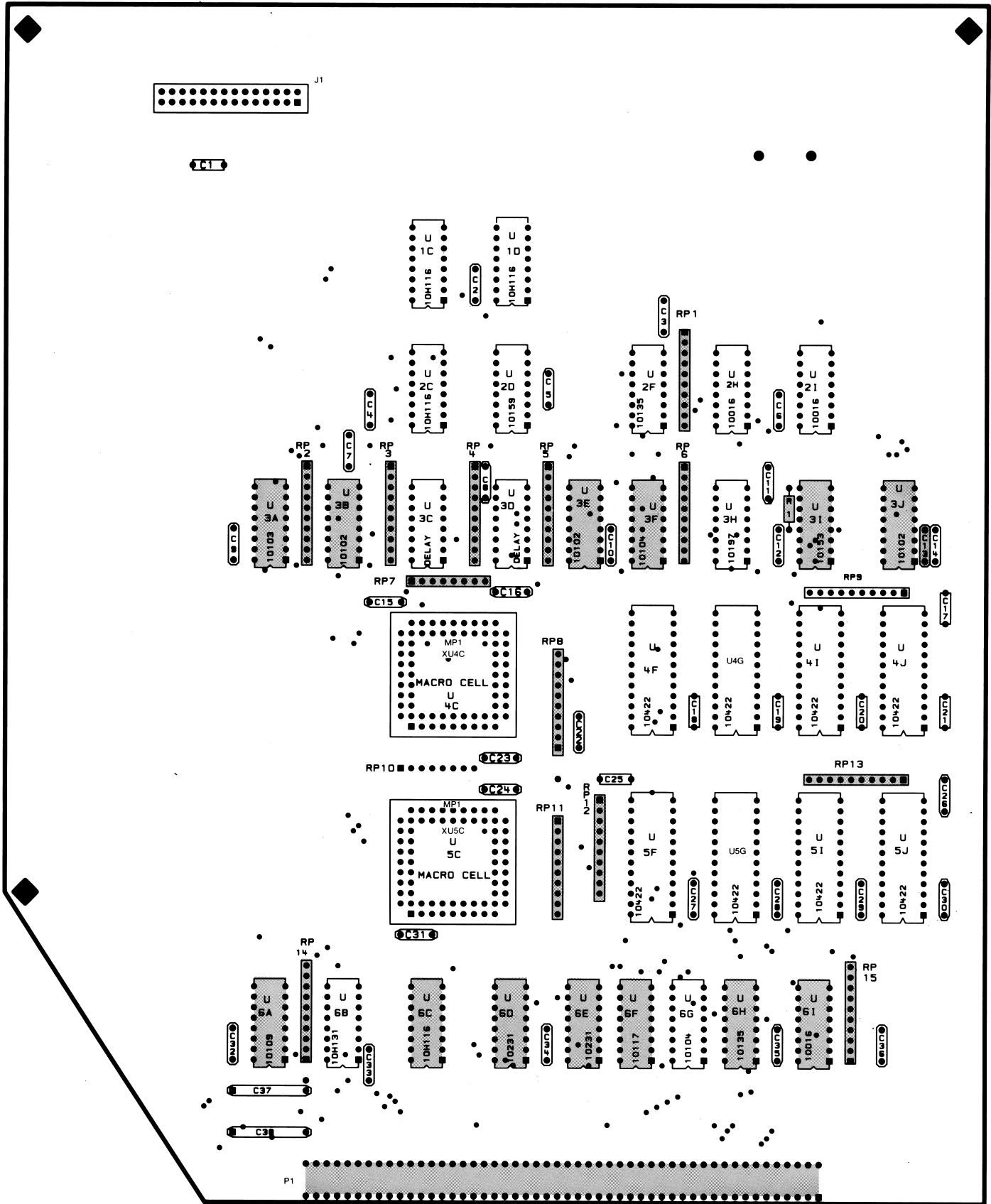
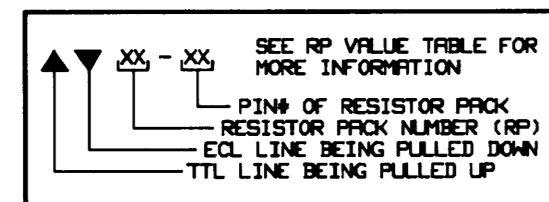


Figure 8E-2. Timing Slave Component Locator

**IC DEVICE  
POWER CONNECTIONS**

| SUPPLY    | PIN NO. | IC GROUP            |
|-----------|---------|---------------------|
| Vcc1(gnd) | 1       | U3A, B, E, F, I, J, |
| Vcc2(gnd) | 16      | U6A, C-I            |
| Vee(-5.2) | 8       |                     |

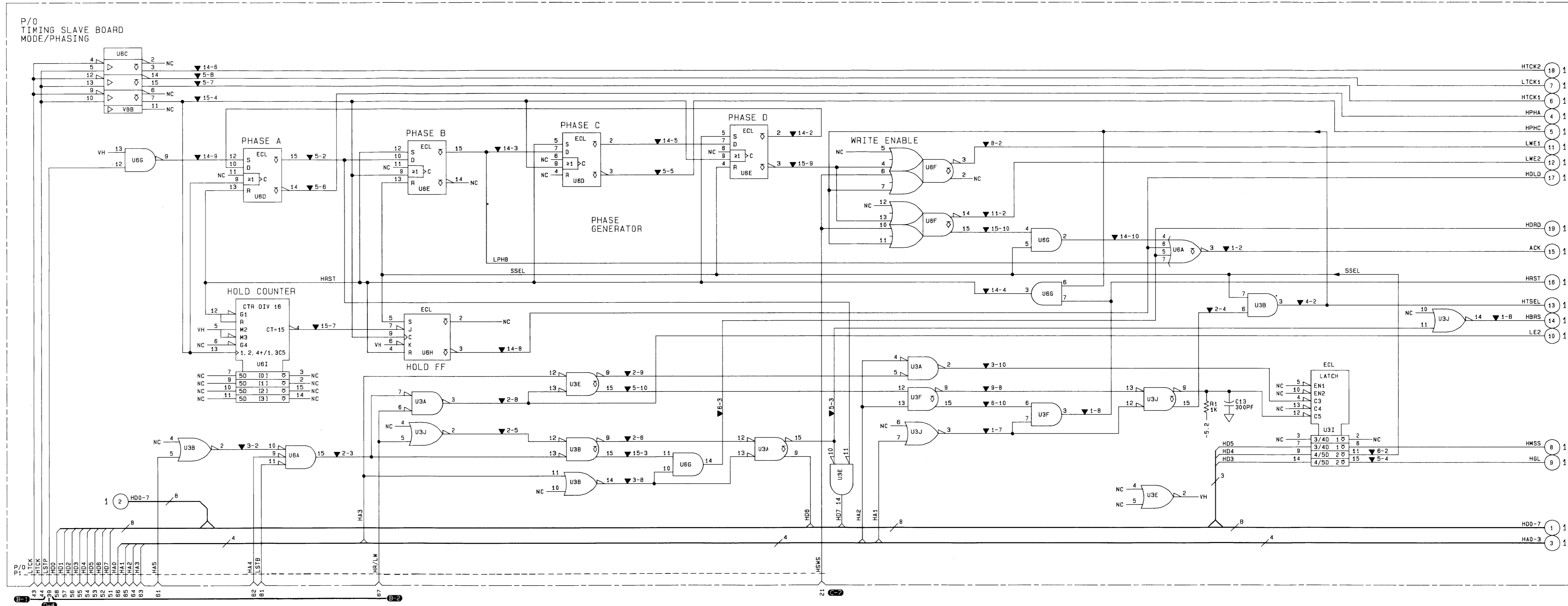
**RESISTOR PACK DESCRIPTIONS:**



| RP#              | RESISTOR VALUE | POWER PIN  | VOLTAGE |
|------------------|----------------|------------|---------|
| 1-6, 8, 9, 11-15 | 100 X 9        | 1          | -2.4    |
| 7, 10            | 100 X 4        | 2, 4, 6, 8 | -2.4    |

**PARTS ON THIS SCHEMATIC**

|                               |  |
|-------------------------------|--|
| U3A, B, E, F, I, J, 6A, U6C-1 |  |
| C13                           |  |
| R1                            |  |
| RP1-8, 11-15                  |  |



8E-2

Figure 8E-4. Timing Slave Schematic (2 of 2)  
8E-9/(8E-10 blank)

## Service Group 8F Table of Contents

| Paragraph   | Page |
|---|------|
| 8F-1. Introduction . . . . .                        | 8F-1 |
| 8F-2. State Slave Block Diagram . . . . .           | 8F-1 |
| 8F-3. Theory of Operation. . . . .                  | 8F-5 |
| 8F-4.     Data Acquisition Interface . . . . .      | 8F-5 |
| 8F-5.     Acquisition and Pattern Memory . . . . .  | 8F-5 |
| 8F-6.         Acquisition Memory . . . . .          | 8F-5 |
| 8F-7.         Memory Address Counter . . . . .      | 8F-5 |
| 8F-8.         Pattern Recognition RAM . . . . .     | 8F-5 |
| 8F-9.     Acquisition and Counter Control . . . . . | 8F-6 |
| 8F-10.         Address Decoders. . . . .            | 8F-6 |
| 8F-11.         Control Data Latches . . . . .       | 8F-6 |
| 8F-12.         25 MHz Oscillator . . . . .          | 8F-6 |
| 8F-13.         Time Count Clocking . . . . .        | 8F-6 |
| 8F-14.         State Count Clocking . . . . .       | 8F-7 |
| 8F-15.         Gray Code Counter Reset . . . . .    | 8F-7 |
| 8F-16.     Gray Code Counter and Memory . . . . .   | 8F-7 |
| 8F-17.         Gray Code Counter . . . . .          | 8F-7 |
| 8F-18.         Counter RAM . . . . .                | 8F-7 |
| 8F-19.     EEPROM and Threshold Circuitry . . . . . | 8F-7 |
| 8F-20.         Address Decoder . . . . .            | 8F-7 |
| 8F-21.         Electrically Erasable PROM . . . . . | 8F-7 |
| 8F-22.         Address Counter. . . . .             | 8F-8 |
| 8F-23.         Master Reset . . . . .               | 8F-8 |
| 8F-24.         Threshold circuitry . . . . .        | 8F-8 |
| 8F-25.     Mnemonics . . . . .                      | 8F-9 |

## List of Illustrations

| <b>Figure</b> |   | <b>Page</b> |
|---------------|---|-------------|
| 8F-1.         | State Slave System Block Diagram. . . . . | 8F-3        |
| 8F-2.         | State Slave Pod . . . . .                 | 8F-11       |
| 8F-3.         | State Slave Component Locator . . . . .   | 8F-12       |
| 8F-4.         | State Slave Schematics . . . . .          | 8F-13       |

## List of Tables

| <b>Table</b> |  | <b>Page</b> |
|--------------|--|-------------|
| 8F-1.        | Master and Slave State Board Comparison. . . . . | 8F-1        |
| 8F-2.        | Mnemonics . . . . .                              | 8F-9        |

# SERVICE GROUP 8F STATE SLAVE

## 8F-1. INTRODUCTION

The optional state slave board adds thirty channels of state data to the 1630A. A 1630D can be upgraded to replace eight timing/state channels with thirty state channels. The 1630G thus provides fifty-seven state channels and eight timing/state channels.

The State Slave board adds state count and time count for state listings. It also provides non-volatile memory for storing instrument setup and microprocessor program disassemblers.

*Table 8F-1. Master and Slave State Board Comparison*

| STATE MASTER BOARD            | STATE SLAVE BOARD         |
|-------------------------------|---------------------------|
| Three Data Clock Inputs       |                           |
| 27 Data Inputs                | 30 Data Inputs            |
| Acquisition RAM (1K x 28)     | Acquisition RAM (1K x 32) |
| Pattern RAM                   | Pattern RAM               |
| Measurement Control Circuitry |                           |
| Data Clock Processing         |                           |
|                               | State and Time Counter    |
|                               | Two Threshold Circuits    |
|                               | EEPROM Memory for CPU     |

## 8F-2. STATE SLAVE BLOCK DIAGRAM (see Figure 8-1)

**POD INTERFACE.** Input data from up to three 10-bit pods is taken at the user's sample rate.

**ACQUISITION MEMORY.** The width of the acquisition memory is 32 bits. Thirty bits are used for data from the system under test and two bits are used to send the condition of two flags to the 1630 microprocessor.

**MEMORY ADDRESS COUNTER.** Holds the address of the next location in acquisition memory to be filled. This counter also addresses the time interval RAM.

**PATTERN RECOGNITION RAM.** Input width is 32 bits and output width is 4 bits. Two of the input bits are unused. The CPU pre-loads the RAM, so that a particular 30-bit data pattern will address a 4-bit word corresponding to one of the four specified patterns.

**GRAY CODE COUNTER.** The Gray Code Counter is a 20-bit counter used to count stored states, time intervals, or the number of occurrences of a particular event over a period of time. It has a 20-bit gray code output.

**COUNTER RAM.** This RAM stores the output of the Gray Code Counter. Both time counts and state counts are stored, depending on the instrument setup.

**ADDRESS DECODERS.** The address decoders, two in the control circuitry and one in the EEPROM circuitry, split the available addressing into two sections, one for the primarily ECL control circuitry and the other for the primarily TTL EEPROM circuitry. Further decoding controls latching of data onto and off of the microprocessor data bus.

**25 MHZ OSCILLATOR.** The 25 MHz oscillator clocks the Gray Code Counter. The 25 MHz signal is also used to synchronize other control signals for the counter.

**CONTROL CIRCUITRY.** The control circuitry provides the various control lines and clocks.

**THRESHOLD CIRCUITRY.** The threshold circuitry provides threshold to pods 6 and 7. Ground sense lines provide the ground level of the system under test.

**EEPROM CIRCUITRY.** EEPROM memory is used to store the inverse assembler data loaded from tape or disc. It is also used to store instrument setups. Only the microprocessor has access to EEPROM. None of the storage space is used for data from this board.

EEPROM is a non-volatile memory that operates on TTL levels, therefore requires the accompanying buffers and translators. An address counter is also included.

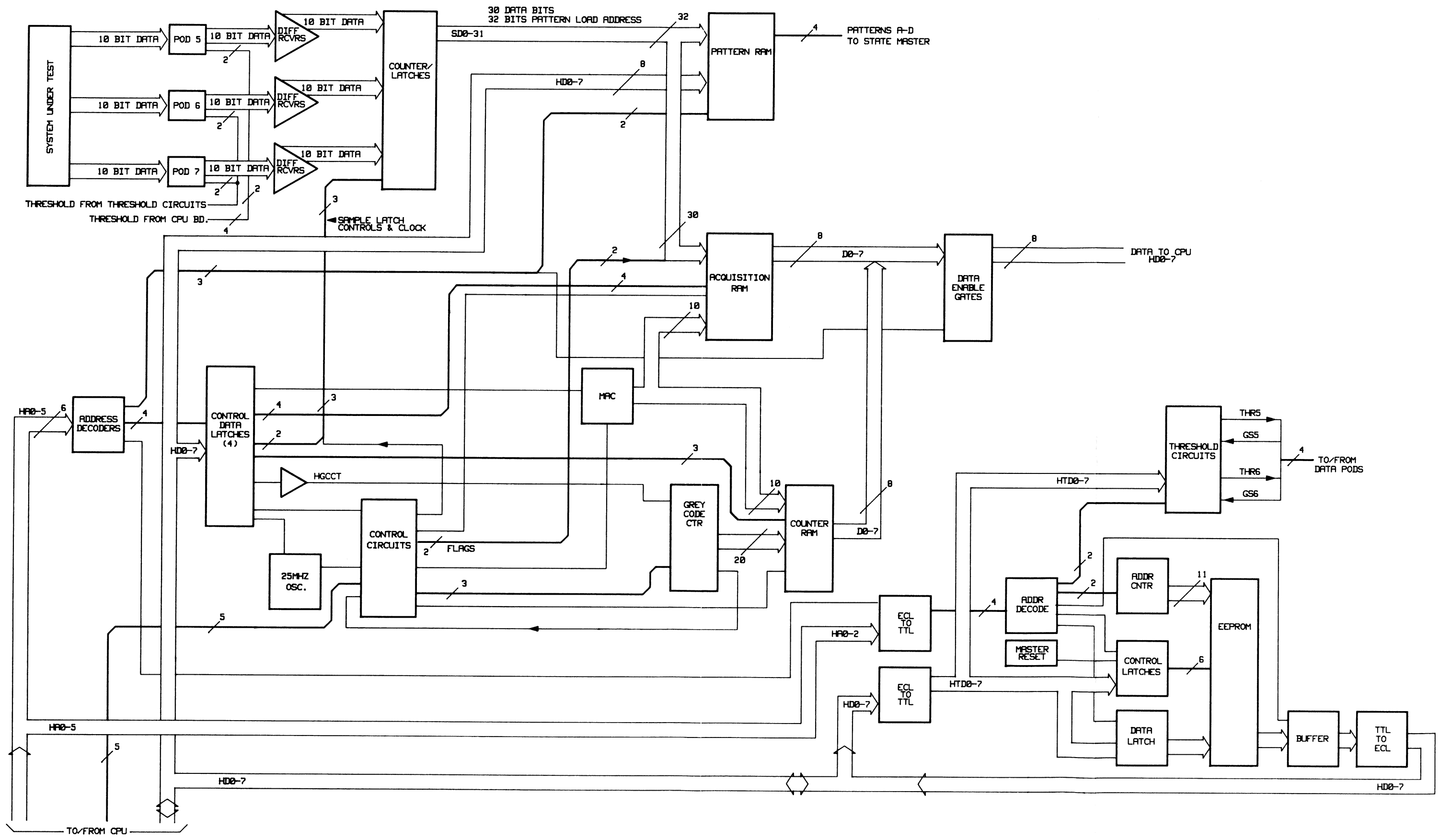


Figure 8-1. 1630G State Slave System Block Diagram  
8F-3

**NOTES**



## 8F-3. THEORY OF OPERATION

### 8F-4. Data Acquisition Interface (see schematic 8F-1)

Three pods (5, 6, 7) each supply ten channels to the line receivers. The ten channels from each pod go from line receivers into 4-bit counters, (U2B-U2I). The counters work as data sample latches during a run and as address counters for programming Pattern Recognition RAM before a run. SLM selects either the latch mode or counter mode. It is low in the latch mode. SLCLK clocks data through the latches in the run mode and toggles the counters to address the pattern rams when the microprocessor is loading patterns. HSLR resets the counter/latch with a high.

The CPU board supplies ground sensing and precision threshold for pod 5. Pods 6 and 7 thresholds are provided by circuitry on this board (schematic 8F-5).

### 8F-5. Acquisition and Pattern Memory (see schematic 8F-2)

**8F-6. ACQUISITION MEMORY.** The acquisition RAM is organized as 32 bits wide by 1024 words deep--30 bits for data storage, with 2 bits used to send the condition of two flags to the microprocessor. The 30 data channels are written into memory in parallel. During an acquisition cycle all four select lines (LARS1-4) are pulled low. The write enable line (LARWE) is also pulled low. When a qualified state is present on the data lines LARWE is put high, the memory address counter is incremented and LARWE put low again.

To read data from RAM, LARWE is put high and the select lines select RAM pairs to output eight-bit data on to the bus.

**8F-7. MEMORY ADDRESS COUNTER.** The Memory Address Counter consists of three 4-bit counters, of which ten bits are used. It addresses both the acquisition RAM and the counter RAM (schematic 8F-4). HMA CR is the reset line and MACCLK is the clock.

**8F-8. PATTERN RECOGNITION RAM.** Pattern Recognition RAM consists of four 256 x 4 ECL RAM ICs connected in parallel, allowing an addressing width of 32 bits. Input width is 30 bits--two of the address lines do not carry data. Output width is 4 bits. The 30-bit incoming sample from the data pods addresses Pattern Recognition RAM. The four bits from each RAM location go out over the pattern lines, LAS-LDS, to the State Master board where they are ANDed with pattern lines from the State Master board and Timing board.

Before a run, the CPU pre-loads each 4-bit RAM location. The locations are addressed by the sample latches working in the counter mode. During a run, when a RAM location is addressed by the incoming sample, its four bits are output on the four pattern lines A-D. When one or more of these four bits is low, the corresponding pattern line may be driven low. A 30-bit incoming data sample that forms a pre-specified pattern of highs, lows, and don't-cares will address one of those RAM locations that was pre-loaded with at least one low.

For example, if the eight input sample bits to a single RAM chip are 00000000, then the first location will be addressed. If the four bits stored in that location are 1100, then pattern output lines A and B--corresponding to the two lows--from that RAM will try to go low.

However, each of the four output bits from each pattern RAM are ECL wire-ANDed. (ECL outputs may be connected together like open-collector TTL outputs.) Thus, a pattern line can be active only when all four RAMs have a low on the same output.

As shown in figure 8C-3, four pattern lines also come into the State Master board from the Timing Master board. (The State Slave board takes the place of the Timing Slave board.) When the Timing Master board is in the state mode, the macrocells act like pattern recognition RAM. The pattern lines from the Timing Master and State Slave boards are gate-ANDed, then wire-ANDed with the four State Master pattern lines. Thus, for a single pattern line to be driven low, the Timing Master and State Slave boards and all four RAM chips on the State Master board must agree. (When the timing board is not in the state mode, its pattern lines will be low).

If more than one of the pattern lines are low at the same time, the sequencer will select the one required for the next analyzer state, according to the trace specification.

## **8F-9. Acquisition and Counter Control** (see schematic 8F-3)

This circuitry provides control for most of the ECL circuitry on the board. The Address Decoders and Control Data Latches allow the CPU to control measurements. A 25 MHz oscillator is used as a time reference for timing measurements. The Reset Flip-Flops are used to reset the Gray Code Counter.

**8F-10. ADDRESS DECODERS.** The Address Decoders (here and on schematic 8F-5) split the 16 available addresses into two groups of eight, one group for ECL control and one for TTL control. The eight low order addresses of the two groups are decoded here by U8N and U8M. LTTL, from U8N pin 11, is used to select the TTL group on schematic 8F-5. The outputs of U8M control output of acquisition data onto the bus (HADE), writing of data into pattern RAM (LPRWE1,2), and latching of data into the control circuitry.

**8F-11. CONTROL DATA LATCHES.** These latches control configuration of the circuitry for making the specific measurements. Performance and operation verification signals are also outputs into the control circuitry.

**8F-12. 25 MHZ OSCILLATOR.** The 25 MHz Oscillator clocks the Gray Code Counter (schematic 8F-4) in the time count mode. The oscillator is also used to synchronize part of the counter reset circuit.

**8F-13. TIME COUNT CLOCKING.** The 25 MHz path through the control circuitry is from U8I pin 6, through U7I pins 7 and 3, and U8I pins 5 and 3 onto the GCCCLK line. A high at U5M pin 14 will disable the oscillator so that the CPU can clock the counter for test purposes.

The 25 MHz signal is gated by U8K pin 2. A high on the set input, pin 5, inhibits the 25 MHz with the resulting low at pin 2. When the set is removed, the clock signal at pin 6 will synchronize the return of pin 2 to a high level so that only complete clock pulses will be gated.

**8F-14. STATE COUNT CLOCKING.** When the counter is used to count states the 25 MHz line, GCCCLK, is put high by U5L pin 13. The GCCSI line, which must be high for 25 MHz clocking, is now used as a clock. The source of the clock is HSCS which is derived on the State Master board. Forms of it are used there to clock data and address counters.

**8F-15. GRAY CODE COUNTER RESET.** Five flip-flops synchronize the reset of the Gray Code Counter. U7KA catches the overflow from the MSB of the counter when the count has reached about 350K. U7LA synchronizes the output of U7KA with the control system. The output from pin 2 is also used to flag the CPU that the counter is resetting (HCRF). U7LB resets the counter after a qualified state has been stored. U7MA/B sequence the reset of the counter. The output of U7MA is also used to reset the reset flip-flops.

## **8F-16. Gray Code Counter and Memory** (see schematic 8F-4)

**8F-17. GRAY CODE COUNTER.** The Gray Code Counter is a 20-bit counter with a 17-bit mantissa (bits 0-16) and 3-bit exponent (bits 17-19). The CPU uses algorithms to convert the gray code to the count figure.

U4M and Q1 are a power supply which provides  $-3.25V \pm 3\%$ . U8L is part of the reset circuit. The reset signal HGCCR resets the counter. U8L provides a complementary signal that is delayed by C64. The delayed signal terminates reset at pins 34 and 35.

**8F-18. COUNTER RAM.** The Counter RAM is addressed by the Memory Address Counter (schematic 8F-2). A count can be stored for each valid state stored. LCRS1-3 gate the RAMs and allow them to be read onto the data bus eight bits at a time. LCRWE is the write enable. It goes high at the termination of write when the valid state has been stored.

## **8F-19. EEPROM and Threshold Circuitry** (see schematic 8F-5)

The Electrically Erasable PROM is used by the CPU for storage of one instrument setup and storage of inverse assemblers written to the 1630G from disc or tape.

**8F-20. ADDRESS DECODER.** The address decoder decodes the eight high order addresses allotted to the state slave board. The LTTL signal, decoded in U8N (schematic 8F-3), allows decoding of HA0-2 by U7C. The decoded signals primarily control latching of data into and out of EEPROM and latching of data into the Threshold DACs. Two lines clock and reset the Address Counter.

U6L is part of a board identifier. The CPU does a read from address hex 10 which outputs, through U6L, a hex 20 onto the data bus. That identifies this board as a state slave. The CPU therefore knows the configuration of the instrument.

**8F-21. ELECTRICALLY ERASABLE PROM.** The EEPROM is controlled very much like a comparable CMOS RAM. However, it is non-volatile but can be erased by writing over data previously stored. CPU data is converted to TTL from the ECL on the data bus. It is latched onto a bus connecting all EEPROMS. The EEPROMS have inputs that also serve as outputs but are shown separately on the schematic.

When the EEPROMS are read, the data is gated onto the data bus by U7G. The pull-ups on the output of U7G provide additional drive to the TTL-ECL converters. This ensures that when the data buffer is disabled and has high outputs the TTL-ECL inputs will be high enough to ensure low outputs. This allows other devices to drive the bus.

**8F-22. ADDRESS COUNTER.** The Address Counter consists of three 4-bit counters of which 11 bits are used. A fourth counter is connected but not used. The counter is clocked and reset by the CPU.

**8F-23. MASTER RESET.** The Master Reset holds off the write circuitry from the EEPROMS when the power supply voltage is out of tolerance. All outputs of U7E are low in the reset mode. U7D functions only as an inverter to keep the control inputs of the EEPROMS high to prevent writing erroneous data upon power-up.

**8F-24. THRESHOLD CIRCUITRY.** The Threshold DACs are programmed by the data bus to provide a current level proportionate to the threshold level required. The current level is converted to a voltage level by U6B. The ground sense lines compensate the threshold for differences in ground level in the target system.

**8F-25. MNEMONICS.**

The following signals, listed in alphabetical order, are used on the State Board. Active high signals have "H" as the first letter; active low signals have "L".

*Table 8F-2. Mnemonics*

| Mnemonic | Description  |
|----------|--|
| DO-7     | Data from counter RAM.   |
| GCCCLK   | GRAY CODE COUNTER CLOCK/Enable. Clocks the Gray Code Counter in the time count mode. Must be high to enable state count clock, GCCSI.            |
| GCCSI    | GRAY CODE COUNTER STATE INCREMENT/Enable. Clocks the Gray Code Counter in the state count mode. Must be high to enable time count.               |
| GS5,6    | GROUND SENSE. Ground level voltage sense from target system.   |
| HA0-5    | CPU Address Bus from 1630 CPU board.   |
| H/LACK   | Address Clock. Increments memory address counter.  |
| HADE     | ACQUISITION DATA ENABLE. Enable for acquisition RAM data onto system data bus.   |
| HCRF     | COUNTER RESET FLAG. Flags the 1630 CPU when the Gray Code Counter is resetting.  |
| HD0-7    | 1630 System Data B to CPU board.   |
| HGCCOF   | GRAY CODE COUNTER OVERFLOW.  |
| HGCCR    | GRAY CODE COUNTER RESET. Positive edge initiates counter reset.  |
| HGCCT    | GRAY CODE COUNTER TEST. During performance verification is used to divide the counter into two 10-bit sections for faster testing.               |
| HMACR    | MEMORY ADDRESS COUNTER RESET.  |
| HSCS     | State Clock Slave. State clock for State Mode.   |
| HSLR     | SAMPLE LATCH RESET. Resets the Data Sample Latch/Pattern Programming Counters.   |
| HSWS     | State Write Slave. State write enable to RAM in State Mode.  |
| LARS1-4  | ACQUISITION RAM SELECT. Select acquisition RAM pairs. All lines go low during data run. Enables RAM pairs during reads onto the system data bus. |

Table 8F-2. Mnemonics (Cont'd)

| Mnemonic                 | Description   |  |
|--------------------------|---|--|
| LAS<br>LBS<br>LCS<br>LDS | Patterns from the Pattern Recognition RAM.  |  |
| LARWE                    |   | ACQUISITION RAM WRITE ENABLE. Low during an acquisition run. Goes high when data on input lines is valid so data is stored. Put low to read data onto system data bus. |
| LCRS1-3                  |   | COUNTER RAM SELECT. Selects Counter RAM pairs to read data onto the system data bus.   |
| LCRWE                    |   | COUNTER RAM WRITE ENABLE. Enables write to Counter RAM. Low-to-high edge terminates write when counter data is valid.  |
| LCRZF                    | COUNTER RAM ZERO FLAG. When set, tells the CPU that the contents of the Counter RAM is to be interpreted as zero.   |  |
| LPRWE1,2                 | PATTERN RAM WRITE ENABLE. Allows writing of pattern data from CPU into Pattern RAM.   |  |
| LSTB                     | Strobe. CPU strobe for reading and writing to slave boards.   |  |
| LTTL                     | Decoded address that selects TTL circuitry for addressing.  |  |
| MA0-9                    | MEMORY ADDRESS. Addressing bus for Acquisition RAM and Counter RAM.   |  |
| MACCLK                   | MEMORY ADDRESS COUNTER CLOCK. Clocks Memory Address Counter during acquisition using clock derived from target system. CPU clocks counter during read from RAM. |  |
| SD0-31                   | SAMPLE DATA. Data from target system that has been latched for use by Acquisition RAM and Pattern RAM.  |  |
| SLCLK                    | SAMPLE LATCH CLOCK. Clock derived from target system during run mode. CPU clocks latch/counters during programming mode for Pattern RAM.                        |  |
| SLM                      | SAMPLE LATCH MODE. Selects latch or count mode for latch/counters.  |  |
| THR5,6                   | THRESHOLD. Threshold voltage for Pods 6 and 7.  |  |

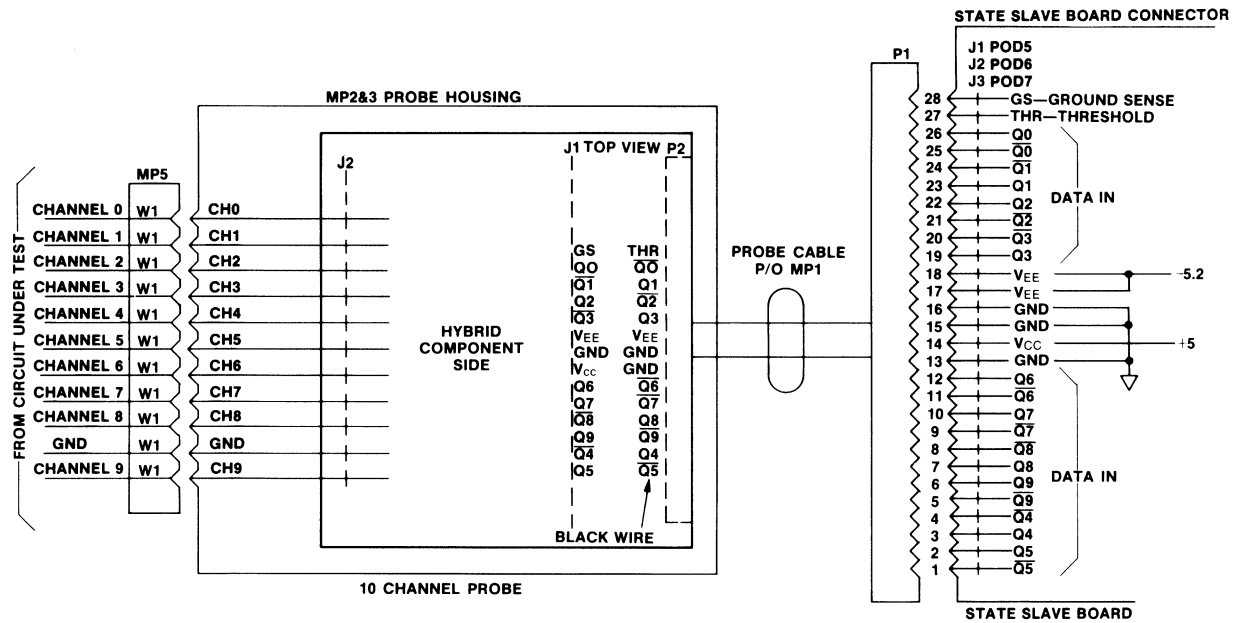


FIGURE 8F-2. State Slave Pod

Model 1630A/D/G-Service Group 8F

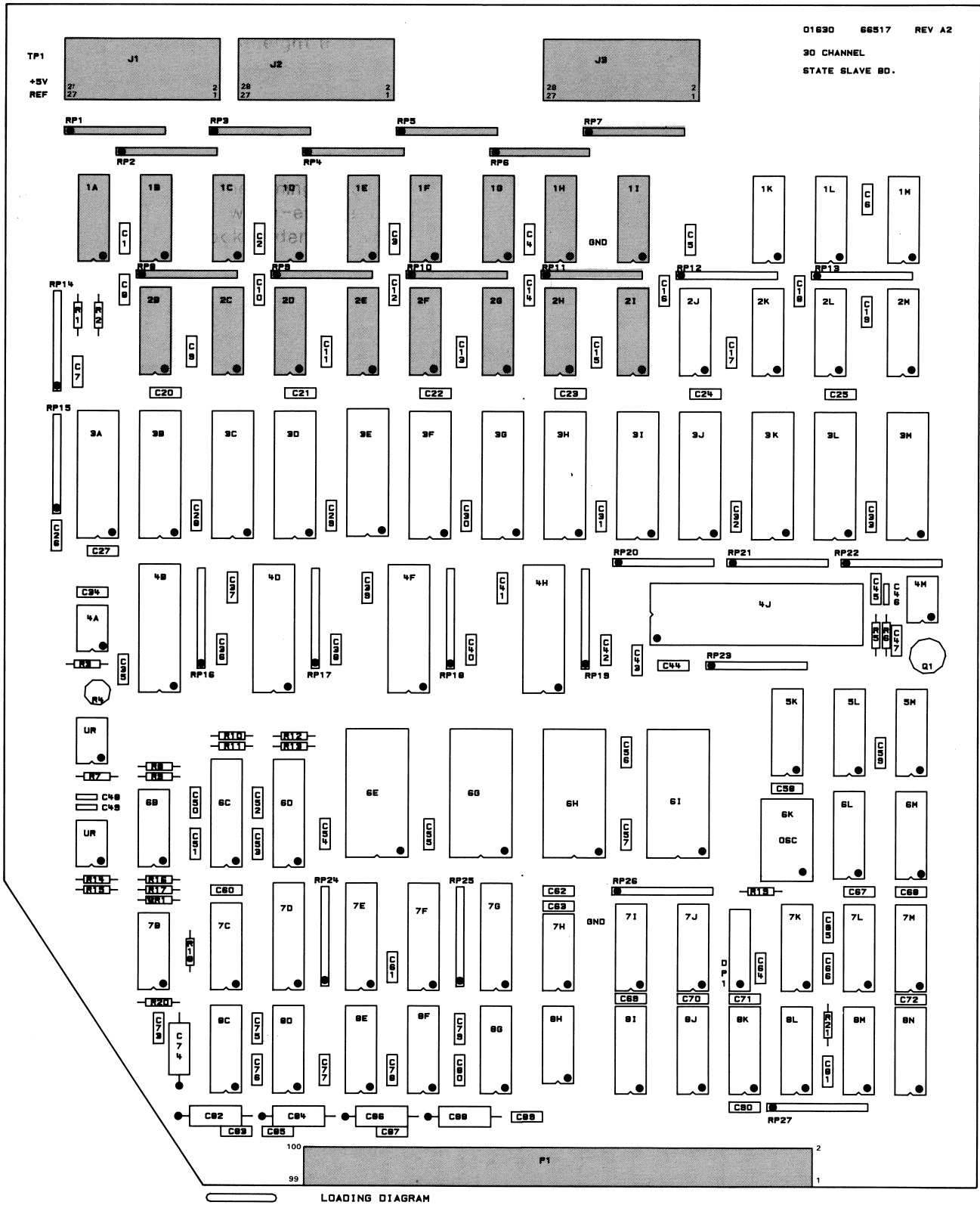


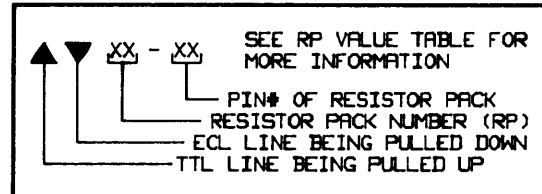
Figure 8F-3. State Slave Board Component Locator



IC DEVICE POWER CONNECTIONS

| SUPPLY | PIN NO. | IC GROUP                                  |
|--------|---------|---|
| GND    | 1       | U1A-I, K-M, U2B-M, U5K-M, U7I, K-M, U8I-N |
| GND    | 16      |   |
| -5.2V  | 8       |   |
| GND    | 1       | U3A-M                                     |
| -5.2V  | 24      | U4B, D, F, H                              |
| GND    | 12      |   |
| +5V    | 24      | U6E, G, H, I                              |
| GND    | 12      |   |
| +5V    | 9       | U6L, M                                    |
| -5.2V  | 8       | U8C-G                                     |
| GND    | 16      |   |
| +5V    | 8       | U7C                                       |
| GND    | 16      |   |
| +5V    | 28      | U7D-G                                     |
| GND    | 18      |   |
| +5V    | 14      | U7H                                       |
| GND    | 7       | U8H                                       |
| -5.2V  | 16      | U7J                                       |
| -5.2V  | 15      |   |
| -5.2V  | 1       |   |
| -5.2V  | 8       |   |

RESISTOR PACK DESCRIPTIONS:



| RP#        | RESISTOR VALUE | POWER PIN | VOLTAGE |
|------------|----------------|-----------|---------|
| 1-7        | 330X9          | 1         | -5.2V   |
| 8-14       |                |           |         |
| 16-19      | 100X9          | 1         | -2.4V   |
| 23, 26, 27 |                |           |         |
| 15         | 50X9           | 1         | -2.4V   |
| 20-22      | 1KX9           | 1         | -5.2V   |
| 24, 25     | 2.2KX9         | 1         | +5V     |

PARTS ON THIS SCHEMATIC

|        |  |
|--------|--|
| J1-3   |  |
| P/O P1 |  |
| RP1-11 |  |
| U1A-I  |  |
| U2B-I  |  |

DATA AQUISITION INTERFACE

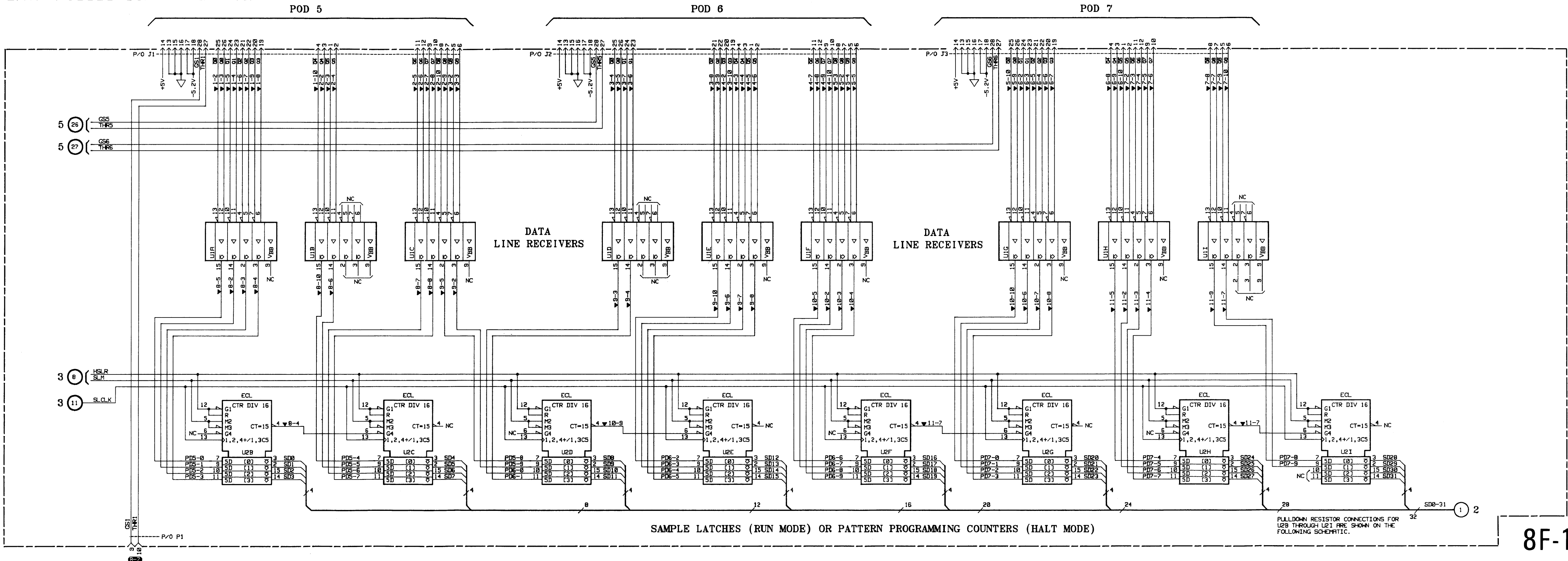


Figure 8F-4. State Slave Schematic (1 of 5)  
8F-13

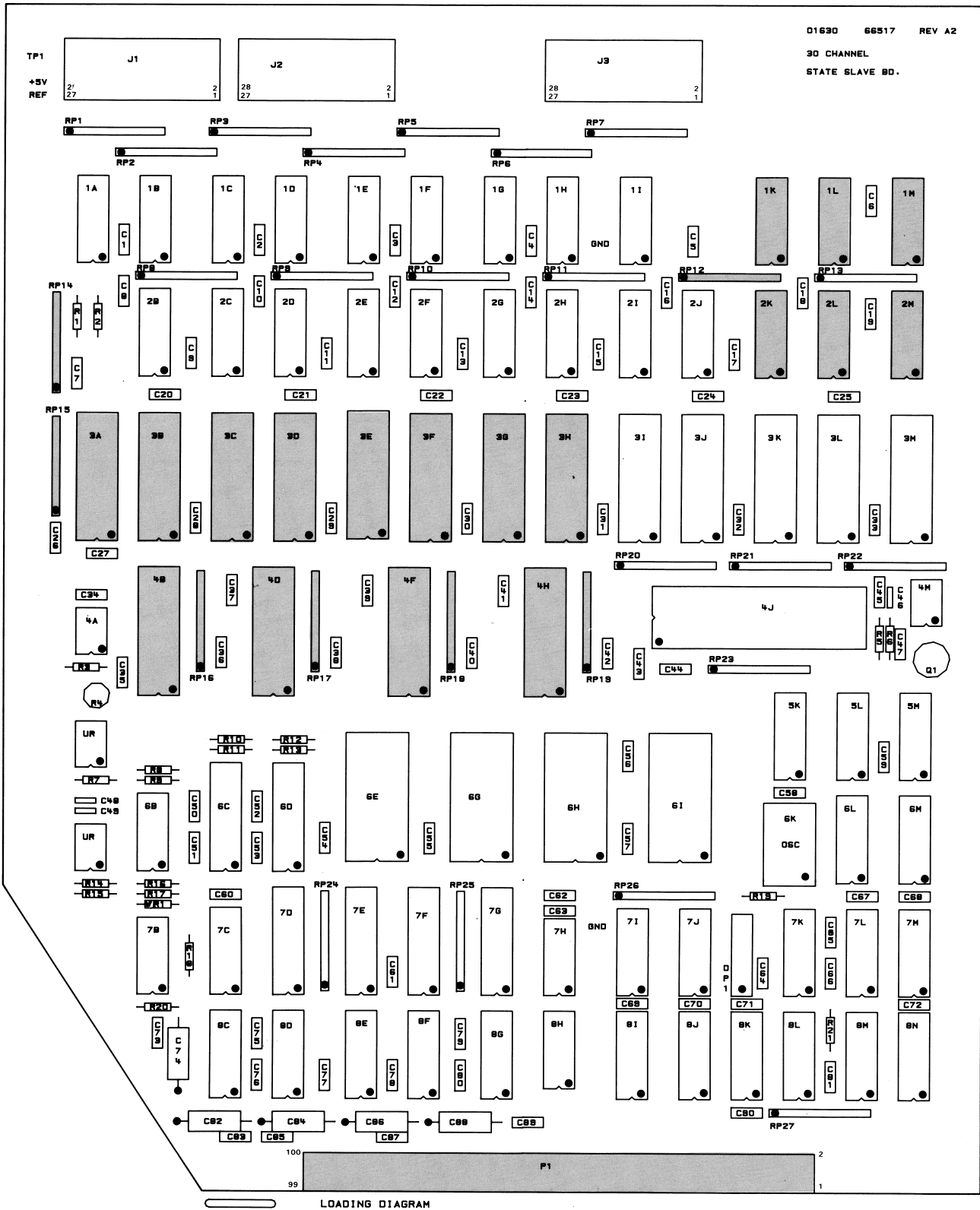
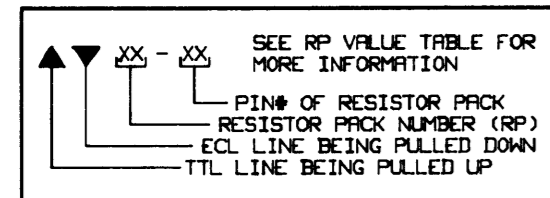


Figure 8F-3. State Slave Board Component Locator

IC DEVICE POWER CONNECTIONS

| SUPPLY | PIN NO. | IC GROUP                                  |
|--------|---------|---|
| GND    | 1       | U1A-I, K-M, U2B-M, U5K-M, U7I, K-M, U8I-N |
| GND    | 16      |   |
| -5.2V  | 8       |   |
| GND    | 24      | U3A-M                                     |
| GND    | 12      | U4B, D, F, H                              |
| +5V    | 24      | U6E, G, H, I                              |
| GND    | 12      |   |
| +5V    | 9       | U6L, M                                    |
| -5.2V  | 8       | U6C-G                                     |
| GND    | 16      |   |
| +5V    | 8       | U7C                                       |
| GND    | 16      |   |
| +5V    | 20      | U7D-G                                     |
| GND    | 10      |   |
| +5V    | 14      | U7H                                       |
| GND    | 7       | U8H                                       |
| +5V    | 15      | U7J                                       |
| -5.2V  | 1       |   |
| -5.2V  | 1       |   |
| -5.2V  | 1       |   |
| GND    | 8       |   |

RESISTOR PACK DESCRIPTIONS:



| RP#        | RESISTOR VALUE | POWER PIN | VOLTAGE |
|------------|----------------|-----------|---------|
| 1-7        | 330X9          | 1         | -5.2V   |
| 8-14       |                |           |         |
| 16-19      | 100X9          | 1         | -2.4V   |
| 23, 26, 27 |                |           |         |
| 15         | 50X9           | 1         | -2.4V   |
| 20-22      | 1KX9           | 1         | -5.2V   |
| 24, 25     | 2.2KX9         | 1         | +5V     |

PARTS ON THIS SCHEMATIC

|                            |  |
|----------------------------|--|
| P/O P1                     |  |
| RP12, 14, 15, 16-19        |  |
| U1K-M, U2K-M, U3A-H, U4B-H |  |

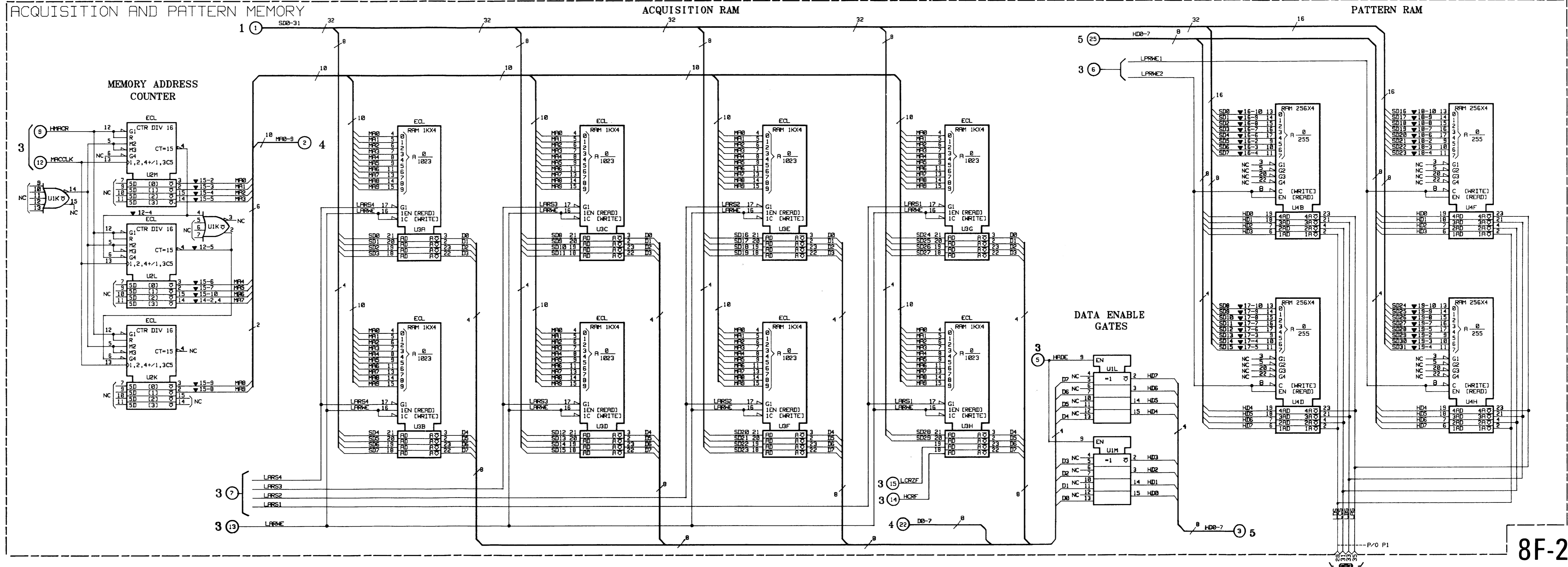


Figure 8F-4. State Slave Schematic (2 of 5)  
8F-15

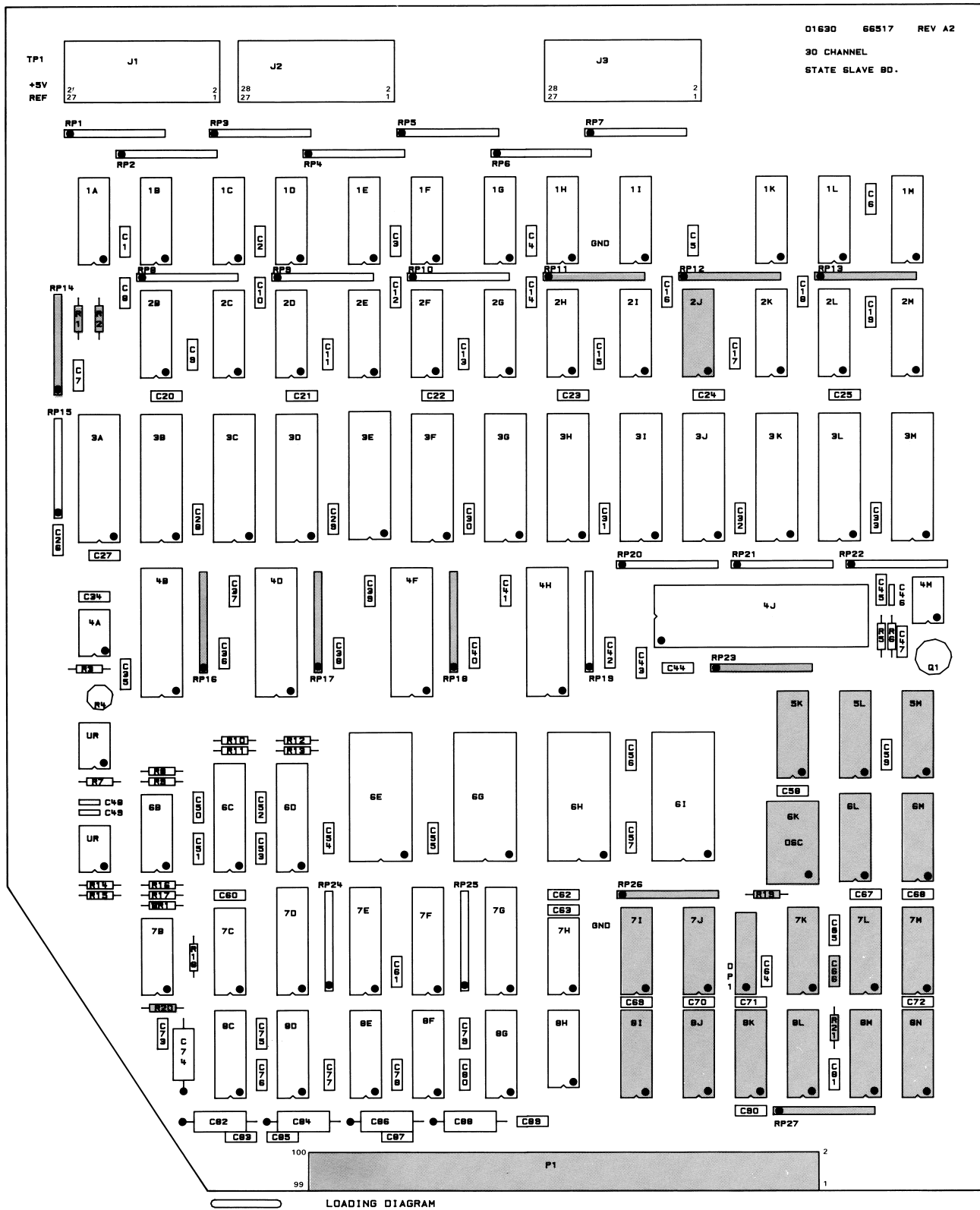


Figure 8F-3. State Slave Board Component Locator



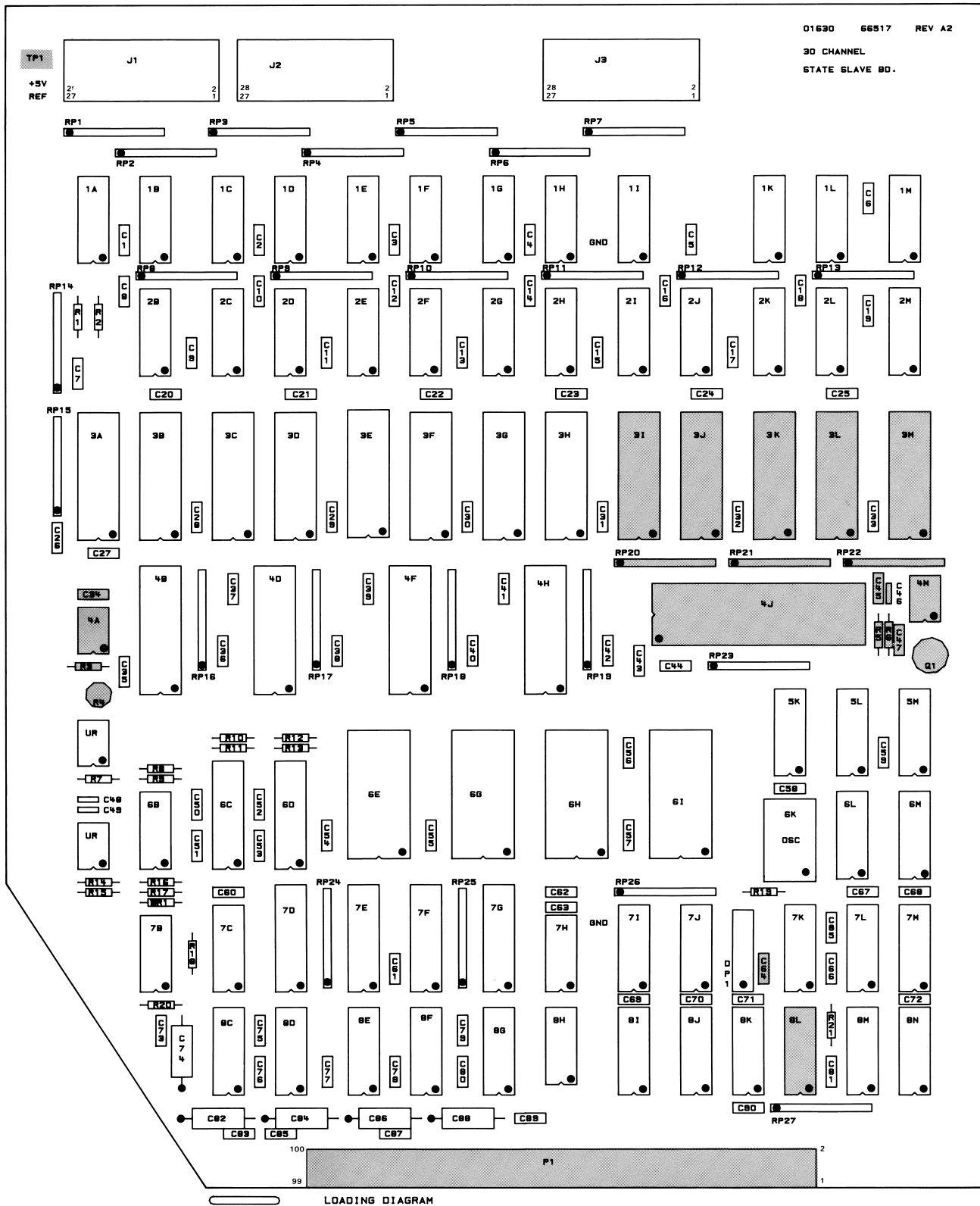
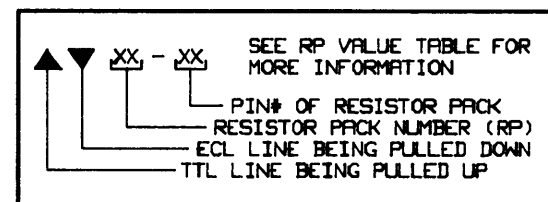


Figure 8F-3. State Slave Board Component Locator

IC DEVICE POWER CONNECTIONS

| SUPPLY | PIN NO. | IC GROUP                                  |
|--------|---------|---|
| GND    | 1       | U1A-I, K-M, U2B-M, U5K-M, U7I, K-M, U8I-N |
| -5.2V  | 8       |   |
| GND    | 1       | U3A-M U4B, D, F, H                        |
| -5.2V  | 24      |   |
| +5V    | 24      | U6E, G, H, I                              |
| GND    | 12      |   |
| +5V    | 9       | U6L, M                                    |
| -5.2V  | 8       | U8C-G                                     |
| GND    | 16      |   |
| +5V    | 8       | U7C                                       |
| GND    | 16      |   |
| +5V    | 20      | U7D-G                                     |
| GND    | 10      |   |
| +5V    | 14      | U7H                                       |
| GND    | 7       | U8H                                       |
| -5.2V  | 16      | U7J                                       |
| -5.2V  | 15      |   |
| -5.2V  | 1       |   |
| -5.2V  | 8       |   |

RESISTOR PACK DESCRIPTIONS:

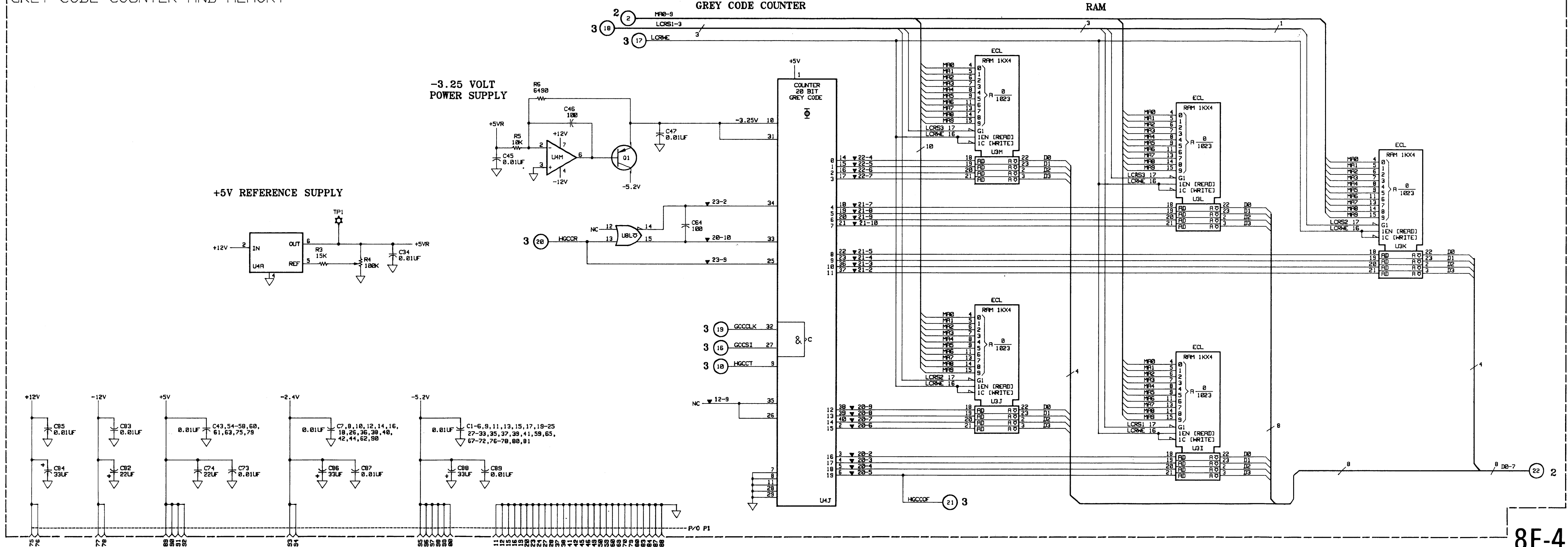


| RP#    | RESISTOR VALUE | POWER PIN | VOLTAGE |
|--------|----------------|-----------|---------|
| 1-7    | 330X9          | 1         | -5.2V   |
| 8-14   |                |           |         |
| 16-19  | 100X9          | 1         | -2.4V   |
| 23, 26 |                |           |         |
| 27     |                |           |         |
| 15     | 50X9           | 1         | -2.4V   |
| 20-22  | 1KX9           | 1         | -5.2V   |
| 24, 25 | 2.2KX9         | 1         | +5V     |

PARTS ON THIS SCHEMATIC

|                     |
|---------------------|
| C1-47, 54-55, 67-90 |
| P/O P1              |
| Q1                  |
| R3-6                |
| RP20-22             |
| U3I-3M, 4A, 4J, 4M  |
| U8L                 |

GREY CODE COUNTER AND MEMORY



8F-4

Figure 8F-4. State Slave Schematic (4 of 5)  
8F-19

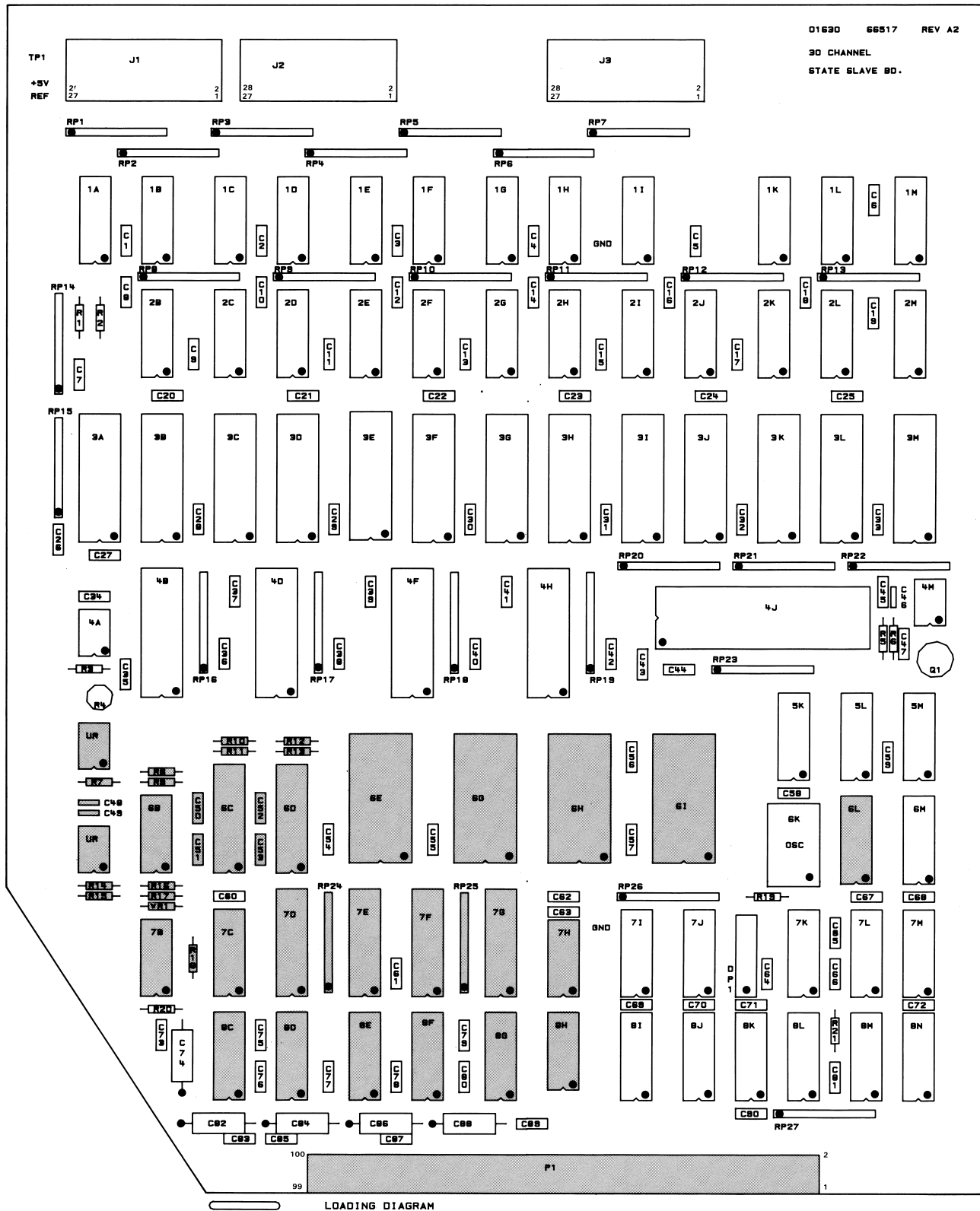
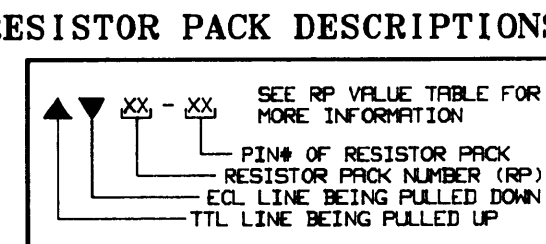


Figure 8F-3. State Slave Board Component Locator



**IC DEVICE POWER CONNECTIONS**

| SUPPLY | PIN NO. | IC GROUP        |
|--------|---------|-----------------|
| GND    | 1       | U1A-I, K-M,     |
| GND    | 16      | U2B-M, U5K-M,   |
| -5.2V  | 8       | U7I, K-M, U8I-N |
| GND    | 24      | U3A-M           |
| -5.2V  | 12      | U4B, D, F, H    |
| +5V    | 24      | U6E, G, H, I    |
| GND    | 12      |                 |
| +5V    | 9       | U6L, M          |
| -5.2V  | 8       | U8C-G           |
| GND    | 16      |                 |
| +5V    | 8       | U7C             |
| GND    | 16      |                 |
| +5V    | 28      | U7D-G           |
| GND    | 18      |                 |
| +5V    | 14      | U7H             |
| GND    | 7       | U8H             |
| -5.2V  | 16      | U7J             |
| -5.2V  | 15      |                 |
| -5.2V  | 1       |                 |
| -5.2V  | 8       |                 |



| RP#        | RESISTOR VALUE | POWER PIN | VOLTAGE |
|------------|----------------|-----------|---------|
| 1-7        | 330X9          | 1         | -5.2V   |
| 8-14       |                |           |         |
| 15-19      | 100X9          | 1         | -2.4V   |
| 20-22      | 1KX9           | 1         | -5.2V   |
| 23, 26, 27 |                |           |         |
| 15         | 50X9           | 1         | -2.4V   |
| 20-22      | 1KX9           | 1         | -5.2V   |
| 24, 25     | 2.2KX9         | 1         | +5V     |

**PARTS ON THIS SCHEMATIC**

|                        |  |
|------------------------|--|
| C48-53                 |  |
| P/O P1                 |  |
| R7-17                  |  |
| RP24, 25               |  |
| U6B-I, 6L, 7B-H, 8C-H, |  |
| U7SA, 6A               |  |
| VR1                    |  |

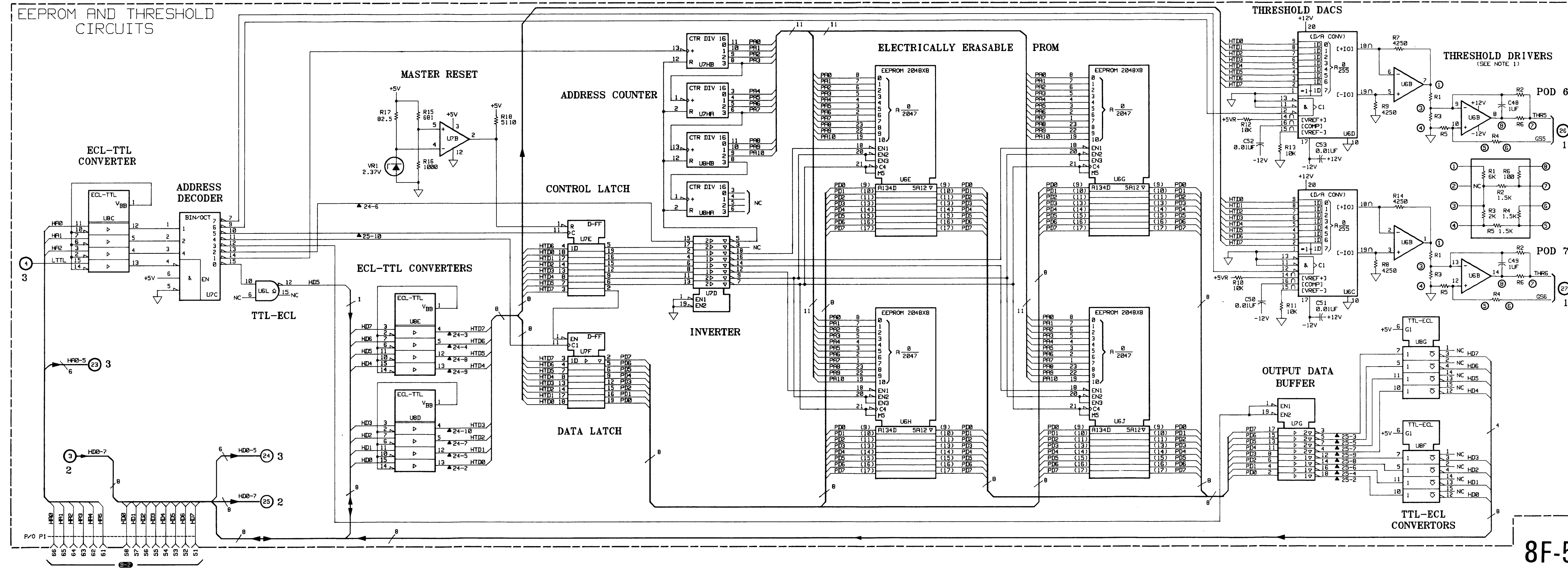


Figure 8F-4. State Slave Schematic (5 of 5)  
8F-21(8F-22 Blank)

## Appendix A Table of Contents

| Paragraph |  | Page |
|-----------|--|------|
| A-1.      | Introduction . . . . .                                       | A-1  |
| A-2.      | Guided Probe Troubleshooting - General Information . . . . . | A-1  |
| A-3.      | 1630A/D Program Tape Loading Procedure . . . . .             | A-3  |
| A-4.      | Operation Verification Hardware Configuration . . . . .      | A-4  |
| A-5.      | Running the Operation Verification Tests . . . . .           | A-4  |
| A-6.      | Acquisition Verification; Test #9, Failures . . . . .        | A-5  |
| A-7.      | Guided Probe Hardware Configuration . . . . .                | A-6  |
| A-8.      | Running the Guided Probe Tests . . . . .                     | A-6  |
| A-9.      | Calibration Test Hardware Configuration . . . . .            | A-7  |
| A-10.     | Running the Calibration Tests . . . . .                      | A-7  |
| A-11.     | 1630A/D Troubleshooting Summary . . . . .                    | A-8  |

## List of Illustrations

| Figure |  | Page |
|--------|--|------|
| A-1.   | 1630A/D Troubleshooting Flow-Chart . . . . . | A-8  |

**NOTES**

# APPENDIX A

## 1630A/D

### REPAIR AND VERIFICATION PROCEDURES

#### A-1. INTRODUCTION

This section consists of the Operation, Guided Probe, and Calibration tests that are downloaded into the 1630A/D via a controller. Operation Verification tests determine which subsystem is faulty (CPU or Acquisition). Guided Probe tests determine which node is bad in the faulty subsystem. The remaining tests are used for Timing and State calibration adjustments in Section V (Adjustments) of this manual. Note that all tests are stored on one tape and are written in BASIC.

Note: For complete Performance Testing of the 1630A/D, perform the Operation Verification Tests in this Appendix, the Parametric Verification Tests in the ET19776 Manual, and the Timing and State calibration adjustments in Section V of this manual.

#### A-2. GUIDED PROBE TROUBLESHOOTING - GENERAL INFORMATION

The main program allows either Operation Verification or Guided Probing on the subsystem level. System verification is accomplished by executing Operation Verification tests on the CPU and Acquisition subsystems. In the Operation Verification mode, the actual tests are downloaded into the 1630A/D under test over HP-IB from the controller. The controller then instructs the 1630A/D to begin execution of the Operation Verification tests (a single pass or continuous execution can be specified). If a failure is encountered, the program displays the test number that failed. At this point, the System-Level Guided Probe program should be run to assist in determining the actual board that failed.

Once a failure is isolated to a board, then the Single Board Guided Probe function is selected. The board in question is loaded into the 1630A/D's service slot, a right angle connector on the top end of the motherboard. (NOTE: A fan must be used to keep air moving across the PC boards that are under test in the service slot.) Then the functional tests are downloaded into the 1630A/D and run until the hard failure is isolated. The particular test that failed automatically keeps executing, the program references signature databases (additional files on the tape) and indicates where to begin probing. Both the topology of the board and nodal information are contained in the signature database files. The controller steps through the database, comparing the actual signatures measured with the information found in the database.

If a bad node is found, the program prompts the user to begin checking all related inputs. If one of those inputs is found to be bad, the program will "re-define" the current bad node and continue checking all related inputs for the most recent bad node. When all inputs are determined to be good, the bad node has been isolated. At this point, as with standard signature analysis, the actual part must be isolated since either a driver or receiver could be at fault. If the node includes wired-ORs, then a current tracer and possibly a logic pulser can be used to isolate the failed part.

Provisions are also made in the probing program to determine if the failure includes a group of ICs. This may occur, for example, if a feedback loop has not been broken in the design implementation of signature analysis. In this case, the controller will indicate all inputs to the component group; then the actual bad component in the group must be determined by conventional troubleshooting methods.

### A-3. 1630A/D PROGRAM TAPE LOADING PROCEDURE

After referring to the desired hardware configuration procedure (Operation, Guided Probe, or calibration), use the following procedure to load and run tests from the controller.

- a. Turn OFF the 1630A/D under test.
- b. Set the 1630A/D rear panel address switches (1-8) to "00000001".
- c. Turn ON the 1630A/D. The System Specification menu should be displayed.
- d. Turn OFF the controller and insert the 1630A/D Program Tape.
- e. Turn ON the controller. Note that upon power-up the controller will look for a program named "Autost" which will be automatically loaded into memory and executed.
- f. The following softkeys should appear on the controller. If they don't, repeat the procedure.

| SOFTKEY     | TEST                  | TEST USE               |
|-------------|-----------------------|------------------------|
| < ACQvfy >  | Acquisition subsystem | Operation Verification |
| < CPUvfy >  | CPU subsystem         | Operation Verification |
| < Keybrd >  | Keyboard test pattern | Operation Verification |
| < Probe > * | Guided Probe          | Troubleshooting        |
| < Disply >  | Display test pattern  | Adjustment             |
| < Strobe >  | State board strobe    | Adjustment             |

\* If the < Probe > test is chosen, refer to the Guided Probe Hardware Configuration procedure.

- g. Select the desired test.

## **A-4. OPERATION VERIFICATION HARDWARE CONFIGURATION**

This section is concerned with the hardware configuration necessary to execute any of the calibration or subsystem tests. See Guided Probe Hardware Configuration for information about configuring the hardware for Guided Probe Troubleshooting. The hardware required is as follows:

- a. One HP 85F which includes an HP-IB Interface, a 82936A ROM Drawer, and a I/O ROM.
- b. One 82903A 16K Memory Module.
- c. One 1630A or D (unit under test).

The hardware configuration is as follows:

- a. Connect the HP-IB cable from the controller to the 1630A/D.
- b. Follow the 1630A/D Program Tape Loading Procedure.

## **A-5. RUNNING THE OPERATION VERIFICATION TESTS**

After loading the Program Tape, the following tests should be executed in order to determine if a subsystem is operating properly. If a test should fail then Guided Probe should be used to find the faulty node.

| TEST       |  |
|------------|--|
| < ACQvfy > | This test determines if the acquisition portion of the 1630A/D is faulty.  |
| < CPUvfy > | This test determines if the CPU board is faulty.   |
| < Keybrd > | This test displays a keyboard test pattern on the 1630A/D display. Refer to the Keyboard Test Procedure in Section IV (Performance Tests). |

## A-6. ACQUISITION VERIFICATION; TEST #9, FAILURES

Test 9 of the Acquisition Verification checks the Trigger Duration circuitry on the Timing Master board. To troubleshoot this section of circuitry, first ensure that the 1630 passes Acquisition Verification tests 1 to 8.

When Test 9 fails, an 8-bit failure code is displayed. By interpreting this failure code, the failure area of the trigger duration circuit may be isolated. The bits of this code correspond as follows:

| BIT      | Test   |
|----------|--------|
| 00000001 | 1 us   |
| 00000010 | 10 us  |
| 00000100 | 20 us  |
| 00001000 | 50 us  |
| 00010000 | 100 us |
| 00100000 | 200 us |

The following resistor and capacitor combinations are used for these tests.

| Test   | Resistor(s)         | Capacitor(s)    |
|--------|---------------------|-----------------|
| 1 us   | 1.58 K              | 300 pF, 3600 pF |
| 10 us  | 1.58 K,             | 300 pF, .04 uF  |
| 20 us  | 1.58 K, 1.71 K, 681 | 300 pF, .4 uF   |
| 50 us  | 1.58 K, 1.71 K      | 300 pF, .4 uF   |
| 100 us | 1.58 K,             | 300 pF, .4 uF   |
| 200 us | 1.58 K, 1.71 K, 681 | 300 pF, 4 uF    |

R1 = 681, R2 = 1.71 K, R3 = 1.58 K  
 C4 = 4 uF, C5 = .4 uF, C6 = .04 uF, C7 = 3600 pF, C9 = 300 pF

NOTE: The 200 MHz oscillator on the Timing Master board is used as a time base for these tests. A failure code of 00111111 may be due to a failure of this oscillator.

Signatures can be taken for some of the digital ICs in this circuit. To generate stimulus for this signature analysis, use Guided Probe for the Timing Master board, Test #6. This will automatically set up the 5005B signature analyzer. Take signatures at the following points without additional prompting from the software:

|      |  |      |   |
|------|--|------|---|
| U5I: | pin 12 0097<br>pin 13 F2AA<br>pin 14 FA32<br>pin 15 P719 | U4C: | pin 2 8P7A<br>pin 3 8P7A<br>pin 4 8P7A<br>pin 9 8A4U<br>pin 13 8P7A |
| U2D: | pin 7 P719<br>pin 14 6963                                |      | pin 14 0000<br>pin 15 0000  |



## **A-7. GUIDED PROBE HARDWARE CONFIGURATION**

The hardware necessary to execute Guided Probe Troubleshooting is as follows:

- a. One HP 85F which includes an HP-IB Interface, a 82936A ROM Drawer, and a I/O ROM.
- b. One 82903A 16K Memory Module.
- c. One HP 5005B Signature Multimeter.
- d. One additional HP-IB cable (10833A). This cable connects the HP 5005B to the 1630A/D under test.
- e. One 1630A or D (unit under test).

The hardware configuration is as follows:

- a. Connect the HP-IB cable from the controller to the 1630A/D under test.
- b. Connect the additional HP-IB cable from the 1630A/D to the 5005B.
- c. Set the 5005B HP-IB address switches for "ADDRESSABLE" and select a unique address on the HP-IB bus.
- d. Refer to the 1630A/D Program Tape Loading Procedure.

## **A-8. RUNNING THE GUIDED PROBE TESTS**

After selecting the < Probe > softkey the controller will execute the Guided Probe program. The user will then be asked the level of troubleshooting - System or Board Level. The program will then direct the user through a troubleshooting procedure.

- a. Select the softkey labeled < Probe > on the controller. Remember, always read the entire screen before proceeding.
- b. The user is then asked which level to troubleshoot - System Level or board level. Select System Level unless it is known that a particular board is at fault.
- c. The system level program may direct the user to a particular board at fault. If so, the program will prompt the user for the board part number and direct them to load a Data Base Tape for that board.
- d. If the testing leads to a "special case node", then reference to appendix C in this manual. Remember, always read the entire screen.

## A-9. CALIBRATION TEST HARDWARE CONFIGURATION

This section is concerned with the hardware configuration necessary to execute the programs necessary to do Timing and State calibration adjustments. The Calibration Hardware Configuration is the same as the Operation Verification Hardware Configuration.

- a. One HP 85F which includes an HP-IB Interface, a 82936A ROM Drawer, and a I/O ROM.
- b. One 82903A 16K Memory Module.
- c. One 1630A or D (unit under test).

The hardware configuration necessary is as follows:

- a. Connect an HP-IB cable from the controller to the 1630A/D.
- b. Follow the 1630A/D Program Tape Loading Procedure.

## A-10. RUNNING THE CALIBRATION TESTS

After loading the Program Tape the following tests should be executed as directed in Section V (Adjustments) of this manual.

| TEST       |   |
|------------|---|
| < Disply > | Loads a display test pattern on the 1630A/D CRT for adjusting the Display Driver board. |
| < Strobe > | Strobes the State board for adjusting pulse width and delay.                            |

## A-11. 1630A/D TROUBLESHOOTING SUMMARY

The following flow chart and text summarizes troubleshooting of the 1630A and D.

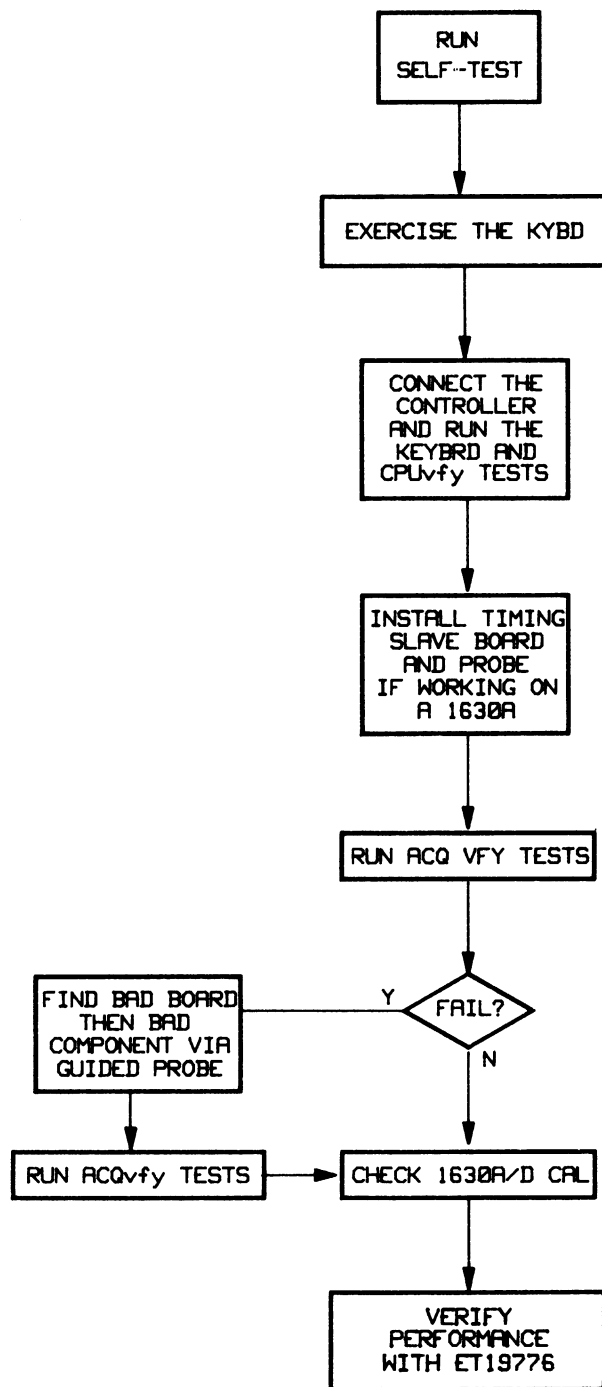


Figure A-1. 1630A/D Troubleshooting Flow Chart.

- a. RUN SELF-TEST This is described in Section IV, paragraph 4-3.
- b. EXERCISE THE KEYBOARD
  - 1. If the State Format Specification is displayed on the 1630A/D, then the threshold levels of the pods can be tested for "stuck at" faults in the following manner:
    - Select a pod then change the threshold level from TTL to ECL or vice-versa. If a line does not show a change in activity level, then it is stuck and should be checked. The pin could possibly be bent.
  - 2. Do a Timing Trace. If the 1630A/D prompts you, "Waiting for timing trigger", then check the 200 MHz oscillator; it may have failed.
- c. CONNECT THE CONTROLLER... This is described in part A-4 of this appendix.
- d. INSTALL TIMING SLAVE... Install a Timing Slave board and probe into a 1630A to convert it to a 1630D for further testing.
- e. RUN < ACQvfy > TESTS. These are explained in part A-5 of this appendix.
- f. Guided Probe. This is explained in part A-8 of this appendix.
- g. CHECK 1630A/D CAL. Calibration procedures are explained in part A-10 of this appendix.
- h. VERIFY PERFORMANCE... See Section III of the Operating and Service manual for the ET19776 1630A/D Test Tool.



**Appendix B Table of Contents**

| <b>Paragraph</b>  | <b>Page</b> |
|---|-------------|
| B-1. Introduction . . . . .                                       | B-1         |
| B-2. Guided Probe Troubleshooting - General Information . . . . . | B-1         |
| B-3. 1630G Repair Procedures Overview . . . . .                   | B-2         |
| B-4. 1630G Program Tape Loading Procedure . . . . .               | B-3         |
| B-5. Operation Verification Hardware Configuration . . . . .      | B-4         |
| <br>  |             |
| B-6. Running Operation Verification Tests . . . . .               | B-4         |
| B-7. Acquisition Verification; Test #9, Failures . . . . .        | B-5         |
| B-8. Guided Probe Hardware Configuration . . . . .                | B-6         |
| B-9. Running the Guided Probe Tests . . . . .                     | B-6         |
| B-10. State Slave Board Testing . . . . .                         | B-7         |
| <br>  |             |
| B-11. Calibration Test Hardware Configuration . . . . .           | B-7         |
| B-12. Running the Calibration Tests . . . . .                     | B-7         |
| B-13. 1630G Troubleshooting Summary . . . . .                     | B-8         |

**List of Illustrations**

| <b>Figure</b>                                   | <b>Page</b> |
|---|-------------|
| B-1. 1630G Troubleshooting Flow Chart . . . . . | B-8         |

**NOTES**

# APPENDIX B

## 1630G

### REPAIR AND VERIFICATION PROCEDURES

#### B-1. INTRODUCTION

This section consists of the Operation, Guided Probe, and Calibration tests that are downloaded into the 1630G from a controller. Operation Verification tests determine which subsystem is faulty (CPU or Acquisition). Guided Probe tests determine which node is bad in the faulty subsystem. The remaining tests are used for Timing and State calibration adjustments in Section V (Adjustments) of this manual. Note that all tests are stored on one tape and are written in BASIC.

Note: For complete Performance Testing of the 1630G, perform the Operation Verification Tests in this Appendix, the Parametric Verification Tests in the ET19776 Manual, and the Timing and State calibration adjustments in Section V of this manual.

#### B-2. GUIDED PROBE TROUBLESHOOTING - GENERAL INFORMATION

The main program allows either Operation Verification or Guided Probing on the subsystem level. System verification is accomplished by executing Operation Verification tests on the CPU and Acquisition subsystems. In the Operation Verification mode, the actual tests are downloaded into the 1630G under test over HP-IB from the controller. The controller then instructs the 1630G to begin execution of the Operation Verification tests (a single pass or continuous execution can be specified). If a failure is encountered, the program displays the test number that failed. At this point, the System-Level Guided Probe program should be run to assist in determining the actual board that failed.

Once a failure is isolated to a board, then the Single Board Guided Probe function is selected. The board in question is loaded into the 1630G's service slot, a right angle connector on the top end of the motherboard. (NOTE: A fan must be used to keep air moving across the PC boards that are under test in the service slot.) Then the functional tests are downloaded into the 1630G and run until the hard failure is isolated. The particular test that failed automatically keeps executing, the program references signature databases (additional files on the tape) and indicates where to begin probing. Both the topology of the board and nodal information are contained in the signature database files. The controller steps through the database, comparing the actual signatures measured with the information found in the database.

If a bad node is found, the program prompts the user to begin checking all related inputs. If one of those inputs is found to be bad, the program will "re-define" the current bad node and continue checking all related inputs for the most recent bad node. When all inputs are determined to be good, the bad node has been isolated. At this point, as with standard signature analysis, the actual part must be isolated since either a driver or receiver could be at fault. If the node includes wired-ORs, then a current tracer and possibly a logic pulser can be used to isolate the failed part.



Provisions are also made in the probing program to determine if the failure includes a group of ICs. This may occur, for example, if a feedback loop has not been broken in the design implementation of signature analysis. In this case, the controller will indicate all inputs to the component group; then the actual bad component in the group must be determined by conventional troubleshooting methods.

### **B-3. 1630G REPAIR PROCEDURES OVERVIEW**

The 1630G and 1630A/D differ mainly with respect to the available number of data channels. This fact simplifies the test software requirements for the 1630G. It enables the use of existing 1630A/D service software by first checking the Keyboard Verification and then the CPU Verification. The 1630G is then converted to a 1630D to run the Acquisition Verification tests. The conversion is straightforward and is accomplished by replacing the State Slave board of the 1630G with a Timing Slave board. This board is supplied with the K01 Self-Support package. After testing the instrument as a 1630D it is converted back to a 1630G and the State Slave board is tested using new 1630G software.

### B-4. 1630G PROGRAM TAPE LOADING PROCEDURE

The following is a general procedure for loading a tape and running tests on the 1630G with a controller. However, the proper hardware configuration must be set up first.

- a. Turn OFF the 1630G under test.
- b. Set the 1630G rear panel address switches (1-8) to "00000001".
- c. If an Acquisition test from the Operation Verification program is being made, replace the State Slave board and probes of the 1630G with the Timing Slave board and probe from the K01 kit.
- d. Turn ON the 1630G. The System Specification menu should be displayed.
- e. Turn OFF the controller and insert the 1630G Program Tape.
- f. Turn ON the controller. The wait should be a few seconds for the controller to automatically load the tape. If not, try LOAD" AUTOST".
- g. The following softkeys should appear on the controller. If they don't, repeat the procedure.

| SOFTKEY     | TEST                  | TEST USE               |
|-------------|-----------------------|------------------------|
| < ACQvfy >  | Acquisition subsystem | Operation Verification |
| < CPUvfy >  | CPU subsystem         | Operation Verification |
| < Keybrd >  | Keyboard test pattern | Operation Verification |
| < G-PROBE > | Guided Probe          | Troubleshooting        |
| < Disply >  | Display test pattern  | Adjustment             |
| < Strobe >  | State board strobe    | Adjustment             |

- g. Select the desired test.

## **B-5. OPERATION VERIFICATION HARDWARE CONFIGURATION**

This section deals with the hardware and hardware configuration necessary to run calibration and subsystem testing. (Guided Probe troubleshooting requires a different configuration. See paragraph B-8.) The hardware requirements are:

- a. One HP 85F which includes an HP-IB Interface, a 82936A ROM Drawer, and a I/O ROM.
- b. One 82903A 16K Memory Module.
- c. One 1630A or D (unit under test).
- d. Timing Slave board (from K01 package).
- e. Timing Probe (from K01 package).

The hardware configuration is as follows:

- a. Be sure the I/O ROM and ROM drawer are in the HP85.
- b. Connect the HP-IB cable from the controller to the 1630G.
- c. Follow section B-4 procedure.
- d. Follow section B-6 procedure.

## **B-6. RUNNING OPERATION VERIFICATION TESTS**

This section describes the chronology of the Operation Verification tests. If any test should fail, the Guided Probe testing should be used to find the fault.

### TEST

- |            |  |
|------------|--|
| < ACQvfy > | This test should be conducted on a 1630G after it has been converted to a 1630D. It tests operation of the Acquisition Subsystem.        |
| < CPUvfy > | This test determines if the CPU board is faulty.   |
| < Keybrd > | This test displays a keyboard test pattern on the 1630G display. Refer to the Keyboard Test Procedure in Section IV (Performance Tests). |

## B-7. ACQUISITION VERIFICATION; TEST #9, FAILURES

Test 9 of the Acquisition Verification checks the Trigger Duration circuitry on the Timing Master board. To troubleshoot this section of circuitry, first ensure that the 1630 passes Acquisition Verification tests 1 to 8.

When Test 9 fails, an 8-bit failure code is displayed. By interpreting this failure code, the failure area of the trigger duration circuit may be isolated. The bits of this code correspond as follows:

| BIT      | Test   |
|----------|--------|
| 00000001 | 1 us   |
| 00000010 | 10 us  |
| 00000100 | 20 us  |
| 00001000 | 50 us  |
| 00010000 | 100 us |
| 00100000 | 200 us |

The following resistor and capacitor combinations are used for these tests.

| Test   | Resistor(s)         | Capacitor(s)    |
|--------|---------------------|-----------------|
| 1 us   | 1.58 K              | 300 pF, 3600 pF |
| 10 us  | 1.58 K,             | 300 pF, .04 uF  |
| 20 us  | 1.58 K, 1.71 K, 681 | 300 pF, .4 uF   |
| 50 us  | 1.58 K, 1.71 K      | 300 pF, .4 uF   |
| 100 us | 1.58 K,             | 300 pF, .4 uF   |
| 200 us | 1.58 K, 1.71 K, 681 | 300 pF, 4 uF    |

R1 = 681, R2 = 1.71 K, R3 = 1.58 K  
 C4 = 4 uF, C5 = .4 uF, C6 = .04 uF, C7 = 3600 pF, C9 = 300 pF

NOTE: The 200 MHz oscillator on the Timing Master board is used as a time base for these tests. A failure code of 00111111 may be due to a failure of this oscillator.

Signatures can be taken for some of the digital ICs in this circuit. To generate stimulus for this signature analysis, use Guided Probe for the Timing Master board, Test #6. This will automatically set up the 5005B signature analyzer. Take signatures at the following points without additional prompting from the software:

|   |  |
|---|--|
| U5I: pin 12 0097<br>pin 13 F2AA<br>pin 14 FA32<br>pin 15 P719 | U4C: pin 2 8P7A<br>pin 3 8P7A<br>pin 4 8P7A<br>pin 9 8A4U<br>pin 13 8P7A<br>pin 14 0000<br>pin 15 0000 |
| U2D pin 7 P719<br>pin 14 6963                                 |  |

## **B-8. GUIDED PROBE HARDWARE CONFIGURATION**

This paragraph describes the hardware and hardware configuration necessary to run Guided Probe Troubleshooting on the 1630G. The hardware necessary is as follows:

- a. One HP 85F which includes an HP-IB Interface, a 82936A ROM Drawer, and a I/O ROM.
- b. One 82903A 16K Memory Module.
- c. HP 5005B Signature Multimeter.
- d. Additional HP-IB cable (10833A).
- e. 1630G (unit under test).

The hardware configuration is as follows:

- a. Connect one HP-IB cable between the controller and the 1630G under test.
- b. Connect the other HP-IB cable from the 1630G to the HP 5005B.
- c. Set the HP5005B HP-IB address switches for "ADDRESSABLE" and select a unique address on the HP-IB bus.
- d. Refer to paragraph B-4 for program tape loading instructions.

## **B-9. RUNNING THE GUIDED PROBE TESTS**

The following describes how to use the Guided Probe program.

- a. Select the softkey labeled <G-PROBE> on the controller. Remember, always read the entire screen before proceeding.
- b. The user is then asked which level to troubleshoot - system level or board level. Select system level unless it is known that a particular board is at fault.
- c. The system level program may direct the user to a particular board at fault. If so, the program will prompt the user for the board part number and direct them to load a Data Base Tape for that board.
- d. If the testing leads to a "special case node", then refer to appendix C in this manual. Remember, always read the entire screen.

## B-10. STATE SLAVE BOARD TESTING

The following deals with the testing of the State Slave board in the 1630G. After completing the Keyboard, CPU, and Acquisition tests with the 1630G set up as a 1630D, the instrument is converted back to a 1630G and the State Slave board and probes are tested with the following procedure.

- a. Make sure the instrument is configured as a 1630G. (State Slave board and pods installed.)
- b. Turn the 1630G ON. The System Specification menu should be displayed.
- c. Turn the controller OFF and insert the 1630G program tape.
- d. Turn on the controller. The wait may be a few seconds, but the controller should automatically load the program. If it does not, type in LOAD" AUTOST".
- e. The program will now test the State Slave board. If a failure is isolated it will be noted on the screen of the controller. Be sure to read the entire screen for prompts and such.

## B-11. CALIBRATION TEST HARDWARE CONFIGURATION

The following describes the hardware and hardware configuration necessary for state and timing adjustments.

Hardware requirements.

- a. One HP 85F which includes an HP-IB Interface, a 82936A ROM Drawer, and a I/O ROM.
- b. One 82903A 16K Memory Module.
- c. One 1630G (unit under test).

The hardware configuration is as follows:

- a. Connect the HP-IB cable from the controller to the 1630G.
- b. Follow the Program Tape Loading Procedure in paragraph B-4.

## B-12. RUNNING THE CALIBRATION TESTS

After loading the Program Tape the following tests should be executed as directed in Section V (Adjustments) of this manual.

| TEST       | DESCRIPTION  |
|------------|--|
| < Disply > | Loads a display test pattern on the 1630G CRT for adjusting the Display Driver board.                    |
| < Strobe > | Strobes the State board for adjusting pulse width and delay. The parameters are displayed on the screen. |

### B-13. 1630G TROUBLESHOOTING SUMMARY

The following flow chart and text summarizes troubleshooting of the 1630G.

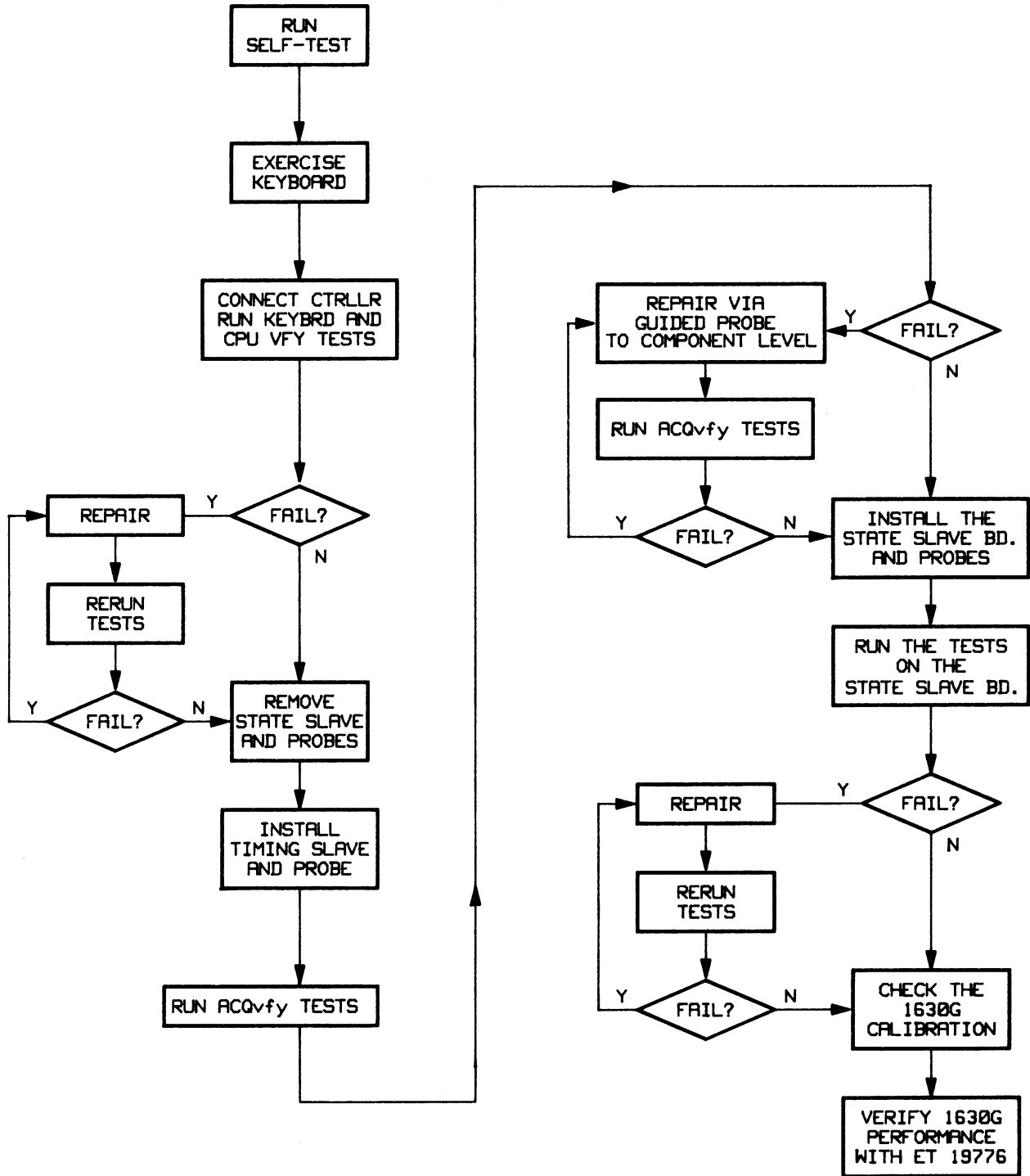


Figure B-1. 1630G Troubleshooting Flow Chart.

- a. RUN SELF-TEST. This is described in Section IV, paragraph 4-3.
- b. EXERCISE THE KEYBOARD.
  - 1. If the State Format Specification is displayed on the 1630G, then the threshold levels of the pods can be tested for "stuck at" faults in the following manner:
    - Select a pod then change the threshold level from TTL to ECL or vice-versa. If a line does not show a change in activity level, then it is stuck and should be checked. The pin could possibly be bent.
  - 2. Do a Timing Trace. If the 1630G prompts you, "Waiting for timing trigger", then check the 200 MHz oscillator. It may not have self-started.
- c. CONNECT THE CONTROLLER... This is described starting at B-4 of this appendix.
- d. REMOVE STATE SLAVE..., INSTALL TIMING SLAVE... Install a Timing Slave board and probe into a 1630A to convert it to a 1630D for further testing.
- e. RUN < ACQvfy > TESTS. These are explained at B-6 in this appendix.
- f. Guided Probe. This is explained at B-9 in this appendix.
- g. Test State Slave. This is explained at B-10 in this appendix.
- h. CHECK 1630G CAL. Calibration procedures are explained starting at B-11 in this appendix.
- i. VERIFY PERFORMANCE... See Section III of the Operating and Service manual for the ET 19776 1630A/D Test Tool.





**Appendix C Table of Contents**

| <b>Paragraph</b> |   | <b>Page</b> |
|------------------|---|-------------|
| C-1.             | Introduction. . . . .   | C-1         |
| C-2.             | Special Case Testing for State Master Boards . . . . .            | C-1         |
| C-3.             | Special Case Nodes In All Tests. . . . .                          | C-2         |
| C-4.             | Special Case Nodes Only In Test #4 . . . . .                      | C-2         |
| C-5.             | Special Case Nodes Only In Test #5 . . . . .                      | C-3         |
| C-6.             | Special Case Testing for Timing Master Boards. . . . .            | C-4         |
| C-7.             | Special Case Testing for Timing Master Board 01630-66506. . . . . | C-4         |
| C-8.             | Special Case Nodes In All Tests. . . . .                          | C-5         |
| C-9.             | Special Case Nodes Only In Test #5 . . . . .                      | C-5         |

**NOTES**

# **APPENDIX C**

## **1630A/D/G**

### **SPECIAL CASE NODE TESTING**

#### **C-1. INTRODUCTION**

This special case testing is for nodes that do not fit into the normal flow of guided probe testing. The operator of Guided Probe is prompted to make special measurements, while the tests are in progress in order to verify proper operation of the instrument under test.

#### **C-2. SPECIAL CASE TESTING FOR STATE MASTER BOARDS**

- a. State Master board 01630-66505 uses tape 01630-90010.
- b. State Master board 01630-66509 uses tape 01630-90026.

The following Special Case Nodes should be measured manually when prompted by the controller during a guided probe session. Use a 1726A on the fastest sweep speed to view narrow (less than 10 ns) pulses. Reply to the controller with PASS if the signal appears as described below.

A Small swing is about 200 mV each direction above and below Vbb (-1.3V) and a Narrow pulse is approximately 10 ns.

### C-3. Special Case Nodes In All Tests

| SPECIAL CASE NODES                                    | SHOULD BE  | MEASURE WITH  |
|---|--|---|
| U1A,B,C: pins 4,5,9,<br>U1D,E,F: 10,12,13<br>U1H,I,J: | NON ECL level signatures   | 5005B :<br>set HI & LO signature<br>thresholds to -1.5V |
|   | Pins 4,9,&12 should read "C05A".<br>Pins 5,10,13 should read "0000".<br>(At threshold of -1.5H, -1.5L)                   |   |
| U3M: pin 5<br>pin 6<br>pin 9<br>pin 14,15             | Small swings @ -1.3V<br>Small swings @ -1.3V<br>-1.3V DC Voltage<br>Narrow pulse in ALL tests                            | SCOPE<br>SCOPE<br>DVM (5005B)<br>SCOPE                  |
| U5L: pin 2<br>pin 5                                   | Narrow pulse in ALL tests<br>Narrow pulse in ALL tests   | SCOPE<br>SCOPE  |
| U5M: pin 5<br>pin 11<br>pin 12<br>pin 13<br>pin 15    | Small swings @ -1.3V<br>-1.3 DC Voltage<br>Narrow ramp in ALL tests<br>Small swings @ -1.3V<br>Narrow pulse in ALL tests | SCOPE<br>DVM (5005B)<br>SCOPE<br>SCOPE<br>SCOPE         |
| U5N: pin 9  | Narrow pulse in ALL tests  | SCOPE   |
| U6J: pin 2,3  | Narrow pulse in ALL tests  | SCOPE   |

### C-4. Special Case Nodes ONLY In Test #4

| SPECIAL CASE NODES          | SHOULD BE           | MEASURE WITH                                    |
|-----------------------------|---------------------|---|
| U2B,C: pin 2,3,<br>14,15    | unstable in Test #4 | NO SOLUTION                                     |
| U2E-I: pin 2,3,<br>14,15    | unstable in Test #4 | NO SOLUTION                                     |
| U3A-I: pin 2,3,<br>22,23    | unstable in Test #4 | NO SOLUTION                                     |
| U6N: pins 4,5,9<br>10,12,13 | Alternate threshold | Manually set both 5005B<br>thresholds to -1.5V. |

Signatures for U6N should be:

|               |               |                |
|---------------|---------------|----------------|
| U6N/4 -- H68C | U6N/9 -- 8HAU | U6N/12 -- UAC6 |
| U6N/5 -- 47UC | U6N/10 - 1FHU | U6N/13 -- 6CF6 |

## C-5. Special Case Nodes ONLY In Test #5

In Test #5 only, the following nodes will provide valid signatures, but in order for the node signal to be TOTALLY correct these narrow pulses (approximately 10 ns) must exist. Therefore, if one of these nodes occurs in a G.P. printout, verify the TOTAL accuracy of the node with a SCOPE by viewing the pulses.

| SPECIAL CASE NODES          | SHOULD BE           | MEASURE WITH |
|-----------------------------|---------------------|--------------|
| U2L: pin 2                  | Narrow pulses ~10nS | SCOPE        |
| U3M: pin 3                  | "                   | "            |
| U4K: pins 2,14,15           | "                   | "            |
| U5K: pins 3,6,14            | "                   | "            |
| U5M: pins 3,6               | "                   | "            |
| U5N: pins 2,3,14,15         | "                   | "            |
| U6K: pins 2,9,14            | "                   | "            |
| U7J: pins 14,15             | "                   | "            |
| U7K: pin 2                  | "                   | "            |
| U7I: pins 2,3               | "                   | "            |
| U8J: pins 5,6,9,11<br>14,15 | "                   | "            |
| U8K: pins 2,3,4<br>12,13,14 | "                   | "            |
| U8L: pin 1,2,15             | "                   | "            |

## C-6. SPECIAL CASE TESTING FOR TIMING MASTER BOARDS

- a. For Timing Master board 01630-66506 use tape 01630-90011.
- b. For Timing Master board 01630-66510 use tape 01630-90027.

The following Special Case Nodes should be measured manually when prompted by the controller during a guided probe session. Use a 1726A on the fastest sweep speed to view narrow (less than 10 ns) pulses. Reply to the controller with PASS if the signal appears as described below.

A Small swing is about 200 mV each direction above and below Vbb (-1.3V) and a Narrow pulse is approximately 10 ns.

## C-7. Special Case Nodes Only For Timing Master Board 01630-66506

- a. U8F/47 is listed as a special case node in the data base, but it is NOT. When asked for user input, probe the node and read the signature.

If SIG = 4H94 the node passes.  
If SIG  $\neq$  4H94 the node fails.

- b. An error has been found in the 01630-66506 data base. U4G is not properly stored on the data base tape. When instructed to probe U4G/7, the operator should also manually probe U4G/6. The following are the stable signatures for each test:

| <u>TEST #</u> | <u>SIGNATURE AT U4G/7</u> |
|---------------|---------------------------|
| 1             | 151C                      |
| 2             | F4F2                      |
| 3             | PU59                      |
| 4             | 1525                      |
| 5             | HU12                      |
| 6             | CF02                      |
| 7             | 0H2P                      |
| 8             | 48H2                      |

**C-8. Special Case Nodes In ALL Tests**

| SPECIAL CASE NODES | SHOULD BE    | MEASURE WITH |
|--------------------|--------------|--------------|
| U8C: pin 3         | 200 MHz      | SCOPE        |
| pin 11             | 100 MHz      | "            |
| pin 12             | 40 MHz       | "            |
| pin 13             | 20 MHz       | "            |
| pin 14             | 10 MHz       | "            |
| U8D: pin 3         | 100 MHz      | SCOPE        |
| pin 4              | 200 MHz      | "            |
| pin 11             | 50 MHz       | "            |
| pin 12             | 20 MHz       | "            |
| pin 13             | 10 MHz       | "            |
| pin 14             |              |              |
| U4E: pin 10        | -1.3V        | DVM          |
| pin 11             | -1.3V        | "            |
| U2D: pin 5         | -1.3V        | DVM          |
| pin 11             | -1.3V        | "            |
| pin 12             | -1.3V        | "            |
| pin 10             | small swings | SCOPE        |

**C-9. Special Case Nodes ONLY In Test #5**

The following nodes will provide valid signatures, but in order for the node signal to be TOTALLY correct these narrow pulses must exist. Therefore, if one of these nodes occurs in a G.P. printout, verify the TOTAL accuracy of the node with a SCOPE by viewing the pulses.

| SPECIAL CASE NODES | SHOULD BE           | MEASURE WITH |
|--------------------|---------------------|--------------|
| U8C: pin 3         | 200 MHz             | SCOPE        |
| P1: pin 22         | Narrow pulses ~10nS | SCOPE        |
| pin 26             | "                   | "            |
| U9H: pin 3         | "                   | "            |
| pin 14             | "                   | "            |
| pin 15             | "                   | "            |
| U3E: pin 3         | "                   | "            |
| U5I: pin 3         | "                   | "            |





**Appendix D Table of Contents**

| <b>Paragraph</b> |  | <b>Page</b> |
|------------------|--|-------------|
| D-1.             | Introduction . . . . .                                     | D-1         |
| D-2.             | Parts List . . . . .                                       | D-1         |
| D-3.             | Installation Instructions . . . . .                        | D-1         |
| D-4.             | Instruments with Serial Prefixes 2234A and 2242A . . . . . | D-1         |
| D-5.             | Instruments with Serial Prefixes 2311A and 2318A . . . . . | D-4         |
| D-6.             | Instruments with Serial Prefixes 2412A and Above . . . . . | D-6         |
| D-7.             | Converting a 1630G Back To a 1630D . . . . .               | D-7         |
| D-8.             | Required Parts . . . . .                                   | D-7         |
| D-9.             | Instructions . . . . .                                     | D-7         |

**List of Illustrations**

| <b>Figure</b> |                                | <b>Page</b> |
|---------------|--------------------------------|-------------|
| D-1.          | PROM Locations . . . . .       | D-2         |
| D-2.          | PC Board Corrections . . . . . | D-4         |

**NOTES**

# **APPENDIX D**

## **1630A/D/G**

### **RETROFIT INSTRUCTIONS**

#### **D-1. INTRODUCTION**

Any 1630A/D Logic Analyzer can be converted to a 1630G using the 1630G Retrofit Kit, P/N HP 10340A. This retrofit can be performed by the customer or by the local HP Sales and Service Center.

Hewlett-Packard recommends conversion by experienced service personnel. Any damages to the instrument caused by the customer attempting the conversion can not be covered under warranty.

#### **D-2. PARTS LIST**

The HP 10340A Retrofit Kit consists of the following parts:

- Rear Panel
- Top Cover
- Rear Casting
- Rear Door
- State Slave Board
- 1630G PROM SET
- Accessory Pouch
- 1630G Operating Manual
- 1630G Front Panel Label
- Rear Cover Label
- Installation Instructions
- 10273A 10-Channel State Data Probe (Qty 3)

**NOTE:** The part numbers of these parts may change from time to time so they are not listed here. Contact an HP sales and service office for further information.

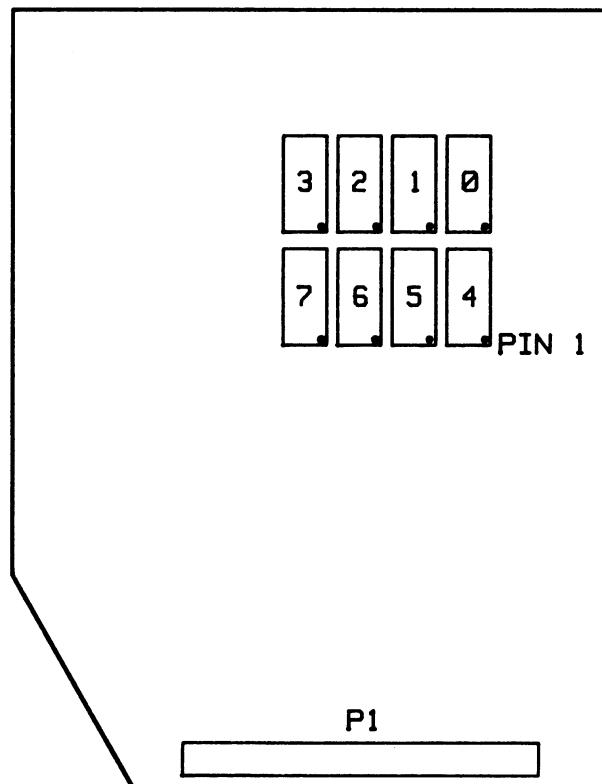
#### **D-3. INSTALLATION INSTRUCTIONS**

These instructions are divided according to the serial prefix of the 1630A/D. Use the instructions that apply to the instrument being converted.

#### **D-4. Instruments With Serial Prefix 2234A and 2242A**

- 1) Remove rear feet.
- 2) Remove bottom cover.
- 3) Disconnect two cables at the front of the CPU board (bottom board in the instrument).

- 4) Remove rear door.
- 5) Disconnect Acquisition probes.
- 6) Remove rear casting.
- 7) Remove two screws beneath HP-IB connector.
- 8) Remove CPU Board.
- 9) Remove the eight program ROMs from the sockets in the center of the board.
- 10) Install the eight program ROMs from the retrofit kit. Figure 1 shows the proper order of installation.



*Figure D-1. PROM Locations*

- 11) With a small piece of wire, connect pins 25 and 26 together on U6M.
- 12) Remove the remaining boards in the card cage.
- 13) Remove the top cover.
- 14) Remove the rear panel from the instrument. There are four screws on the top, four screws on the bottom and eight screws on the rear panel that hold it in place. Note that four of the screws on the rear panel hold the fan and fan guard in place.

- 15) Replace the rear panel with the new rear panel included in the retrofit kit.
- 16) Install the CPU board in the bottom slot of the card cage by reversing steps 3, 7, and 8.
- 17) Install the State Master board in the slot directly above the CPU board.
- 18) Install the Timing Master board in the slot directly above the State Master board.
- 19) Install the State Slave board from the retrofit kit in the service slot directly behind the keyboard. The component side of the State Slave board should face toward the front of the instrument.
- 20) Turn on the instrument.
- 21) Measure the DC voltage between TP1 and TP GND. Adjust R4 until the voltage is +5.0 volts +/- 5 mV.
- 22) Turn off the instrument.
- 23) Remove the State Slave board from the service slot and install in the top slot in the card cage.
- 24) Install the bottom cover.
- 25) Install the top cover from the retrofit kit.
- 26) Install the accessory pouch from the retrofit kit onto the top cover.
- 27) Install the rear casting from the retrofit kit.
- 28) Affix the small connector label to the rear casting.
- 29) Connect the three 10271A probes to the State Master board. The label shows the proper orientation of the probes.
- 30) Connect a 10272A probe to the Timing Master board.
- 31) Connect the three 10273A probes in the retrofit kit to the State Slave board.
- 32) Install the rear door in the retrofit kit to the rear casting.
- 33) Replace the rear feet.
- 34) Remove the label from the front of the instrument and replace with the 1630G label in the retrofit kit.
- 35) To verify proper operation, run the power-on self-test described in Section IV of this manual.

### D-5. Instruments With Serial Prefix 2311 and 2318A

- 1) Remove rear feet.
- 2) Remove bottom cover.
- 3) Disconnect two cables at the front of the CPU board (bottom board in the instrument).
- 4) Remove rear door.
- 5) Disconnect Acquisition probes.
- 6) Remove rear casting.
- 7) Remove two screws beneath HP-IB connector.
- 8) Remove CPU Board.
- 9) Remove the eight program ROMs from the sockets in the center of the board.
- 10) Install the eight program ROMs from the retrofit kit. Figure 1 shows the proper order of installation.
- 11) With a small piece of wire, connect pins 25 and 26 together on U6M.
- 12) Remove the State Master board. The State Master board is directly above the CPU board in the card cage.
- 13) Cut the trace between U4I and DL1 (see figure 2).
- 14) With a small piece of wire, connect U4L pin 9 to DL1 pin 6 (see figure 2).

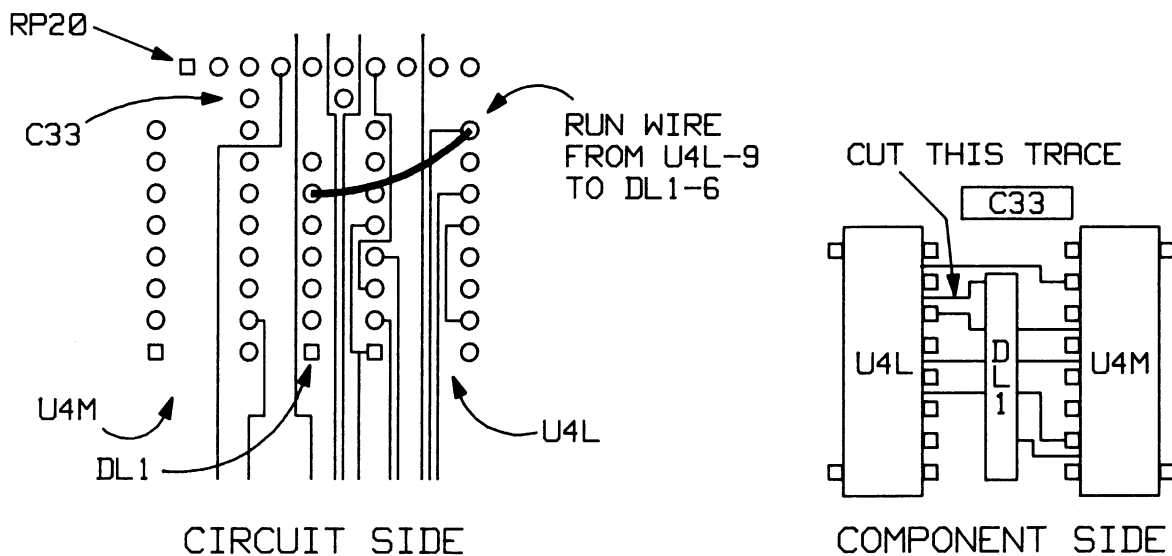


Figure D-2. PC Board Corrections

- 15) Remove the remaining boards in the card cage.
- 16) Remove the top cover.
- 17) Remove the rear panel from the instrument. There are four screws on the top, four screws on the bottom and eight screws on the rear panel that hold it in place. Note that four of the screws on the rear panel hold the fan and fan guard in place.
- 18) Replace the rear panel with the new rear panel included in the retrofit kit.
- 19) Install the CPU board in the bottom slot of the card cage by reversing steps 3, 7, and 8.
- 20) Install the State Master board in the slot directly above the CPU board.
- 21) Install the Timing Master board in the slot directly above the State Master board.
- 22) Install the State Slave board from the retrofit kit in the service slot directly behind the keyboard. The component side of the State Slave board should face toward the front of the instrument.
- 23) Turn on the instrument.
- 24) Measure the DC voltage between TP1 and TP GND. Adjust R4 until the voltage is +5.0 volts +/- 5 mV.
- 25) Turn off the instrument.
- 26) Remove the State Slave board from the service slot and install in the top slot in the card cage.
- 27) Install the original bottom cover and the top cover from the retrofit kit.
- 28) Install the accessory pouch from the retrofit kit onto the top cover.
- 29) Install the rear casting from the retrofit kit.
- 30) Affix the small connector label to the rear casting.
- 31) Connect the three 10271A probes to the State Master board. The label shows the proper orientation of the probes.
- 32) Connect a 10272A probe to the Timing Master board.
- 33) Connect the three 10273A probes in the retrofit kit to the State Slave board.
- 34) Install the rear door in the retrofit kit to the rear casting and replace the rear feet.
- 35) Remove the label from the front of the instrument and replace with the 1630G label in the retrofit kit.
- 36) To verify proper operation, run the power-on self-test described in Section IV of this manual.



## **D-6. Instruments With Serial Prefix 2412 and Above**

- 1) Remove rear feet.
- 2) Remove bottom cover.
- 3) Disconnect two cables at the front of the CPU board (bottom board in the instrument).
- 4) Remove rear door.
- 5) Disconnect Acquisition probes.
- 6) Remove rear casting.
- 7) Remove two screws beneath HP-IB connector.
- 8) Remove CPU Board.
- 9) Remove the eight program ROMs from the sockets in the center of the board.
- 10) Install the eight program ROMs from the retrofit kit. Figure 1 shows the proper order of installation.
- 11) Install the CPU board in the bottom slot of the card cage by reversing steps 3, 7, and 8.
- 12) If the instrument is a 1630D, remove the Timing Slave board. The Timing Slave board is in the top slot in the card cage.
- 13) Remove the top cover.
- 14) Install the State Slave board from the retrofit kit in the service slot directly behind the keyboard. The board should face with the components toward the front of the instrument.
- 15) Turn on the instrument.
- 16) Measure the DC voltage between TP1 and TP GND. Adjust R4 until the voltage is +5.0 volts +/- 5 mV.
- 17) Turn off the instrument.
- 18) Remove the State Slave board from the service slot and install in the top slot in the card cage.
- 19) Install the top and bottom covers.
- 20) Install the rear casting.
- 21) Connect the three 10271A probes to the State Master board. The label shows the proper orientation of the probes.
- 22) Connect a 10272A probe to the Timing Master board.

- 23) Connect the three 10273A probes in the retrofit kit to the State Slave board.
- 24) Install the rear door to the rear casting.
- 25) Replace the rear feet.
- 26) Remove the label from the front of the instrument and replace with the 1630G label in the retrofit kit.
- 27) To verify proper operation, run the power-on self-test described in Section IV of this manual.

## **D-7. CONVERTING A 1630G BACK TO A 1630D**

Any 1630G can be converted back to a 1630D using the following procedure.

## **D-8. Required Parts**

Timing Slave Board  
1630D PROM SET  
10272A                    8 Channel State/Timing Probe

NOTE: The part numbers of these parts may change from time to time so they are not listed here. Contact an HP sales and service office for further information.

## **D-9. Instructions**

- 1) Remove CPU board (see steps for removing CPU board in the instructions for retrofitting to a 1630G).
- 2) Replace the ROM's on the CPU board with the ROMs listed above. Figure 1 shows the locations of the ROMs.
- 3) Replace the State Slave board with the Timing Slave board.
- 4) Reassemble instrument.
- 5) Run the power-on self-test to check operation.

Note: It is not necessary to remove jumpers on the CPU or State Master board to convert a 1630G to a 1630D.



## Appendix E Table of Contents

| Paragraph  | Page |
|--|------|
| E-1. Introduction . . . . .                            | E-1  |
| E-2. CPU Board - Blue Stripe/Troubleshooting . . . . . | E-1  |
| E-3. 1630A/D/G Service Note Index . . . . .            | E-3  |
| E-4. ESD Protection for the HP-IL Interface . . . . .  | E-4  |
| E-5. 200 MHz Oscillator Rework . . . . .               | E-5  |
| E-6. Display Adjustment . . . . .                      | E-6  |
| E-7. Overvoltage Protection Design Change . . . . .    | E-7  |

## List of Illustrations

| Figure  | Page |
|---|------|
| E-1. CPU Troubleshooting Flow Chart . . . . . | E-2  |

**NOTES**

# **APPENDIX E**

## **1630A/D/G**

### **MISCELLANEOUS SERVICE INFORMATION**

#### **E-1. INTRODUCTION**

This appendix covers miscellaneous service information that has been distributed through other channels but is included here for convenience.

#### **E-2. CPU BOARD - BLUE STRIPE/TROUBLESHOOTING**

This section addresses the fact that the present CPU boards cannot be troubleshot to the component level using Guided Probe. There are plans to replace the present boards, 01630-66503, 01630-66512, 01630-66519 (1630G), and 01630-66522, with a board and software allowing troubleshooting with Guided Probe.

Presently, the CPU boards are supported by the Blue-Stripe board exchange program. The part number for the Blue-Stripe board is 01630-66512.

The flow chart on the next page may be useful for troubleshooting common CPU problems and repairing to the component level, therefore avoiding replacement of the entire board.

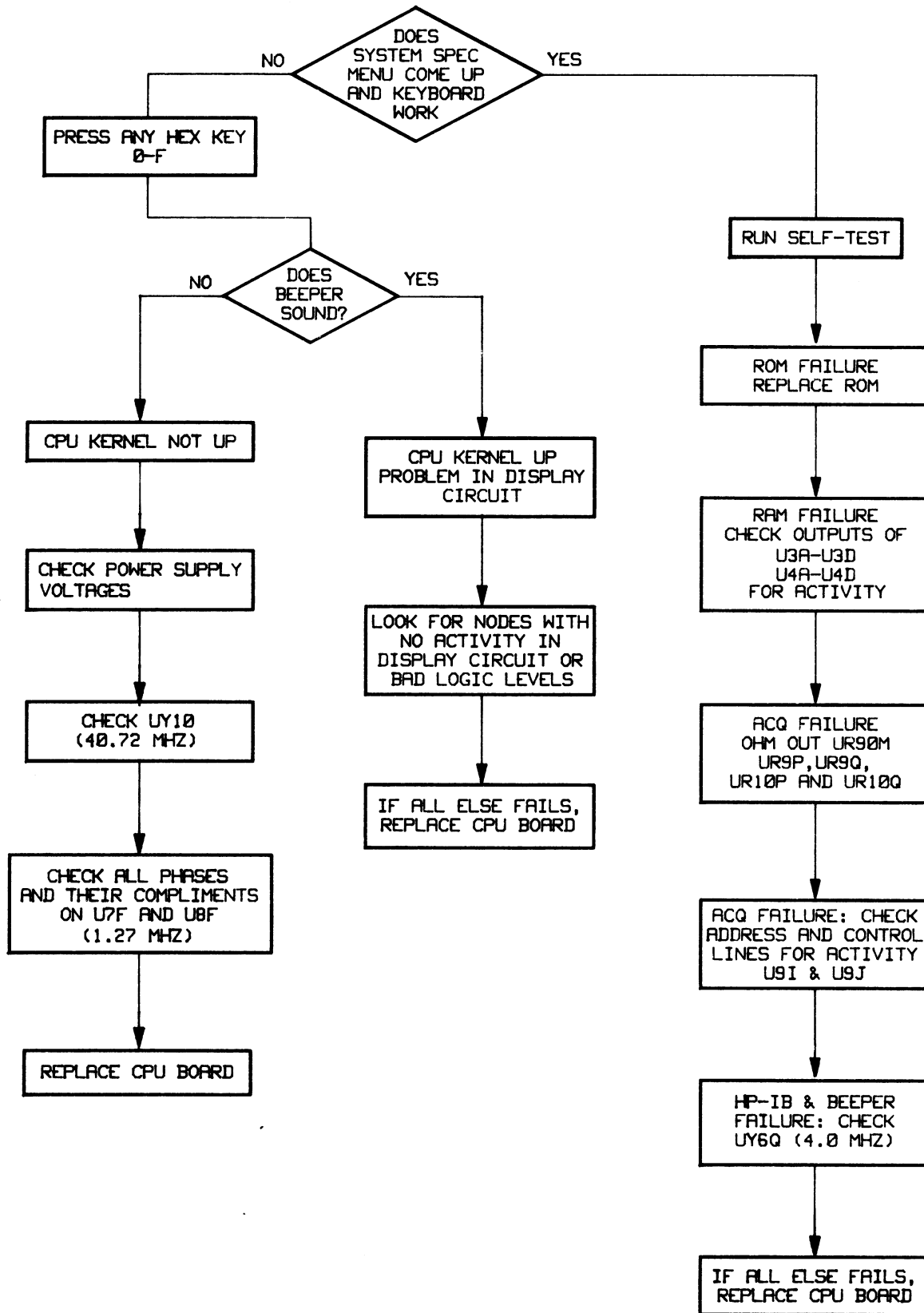


Figure E-1. CPU Board Troubleshooting Flow Chart.

### E-3. 1630A/D/G SERVICE NOTE INDEX

1630A/D-0

SUPERCEDES:

NONE

#### HP 1630A/D LOGIC ANALYZER

#### SERVICE NOTE INDEX

|             |        |    |  |
|-------------|--------|----|--|
| 1630A/D-0   | MAY 83 | WN | Service Note Index (This Note)         |
| 1630A/D-1   | MAY 83 | WA | ESD Protection for the HP-IL Interface |
| 1630A/D-2   | MAY 83 | WA | 200 MHz Oscillator Rework              |
| 1630A/D-3   | MAY 83 | WO | Display Adjustment                     |
| 1630A/D/G-4 | MAY 84 | WA | Overvoltage Protection Design Change   |

I/-WN

5/83-D2/DA



## E-4. ESD Protection for the HP-IL Interface

1630A/D-1

SUPERCEDES:

NONE

### HP 1630A/D LOGIC ANALYZER

Serial Numbers: 2311A00231 and Below (1630A)

Serial Numbers: 2311A00791 and Below (1630D)

### ESP PROTECTION FOR THE HP-IL INTERFACE

The 1630A/D Logic Analyzers indicated above may require additional protection from Electrostatic Discharge on the HP-IL Interface. Without this change, ESD may damage the HP-IL Controller IC and prevent the operator from using the HP-IL interface. However, this failure will not present a safety hazard to the user, nor will it affect the performance of the rest of the analyzer.

#### FAILURE IDENTIFICATION::

If the HP-IL controller is damaged by ESD, the 1630A/D will not recognize a cassette drive connected to the HP-IL. To positively identify this problem, remove the CPU board (01630-66503 or 01630-66512) as described in the Service Manual. Visually inspect U20; a damaged controller will have a small (1/4" diameter) circular distortion in the center of the IC.

#### PARTS REQUIRED:

| DESCRIPTION    | HP PART NUMBER | QTY. |
|----------------|----------------|------|
| Board-Assy ESD | 01630-66513    | 1    |

#### MODIFICATION INSTRUCTIONS:

1. REMOVE THE POWER CORD FROM THE INSTRUMENT.
2. Remove the CPU board from the 1630A/D as described in the Service Manual.
3. Remove U20 by unsoldering.
4. Install the ESD board with the HP-IL chip where U20 was installed.
5. Re-assemble the 1630A/D.

Repair Time: 1.25 hours

D/OF/WA

5/83-D2/DA

**E-5. 200 MHz Oscillator Rework**

1630A/D-2

SUPERCEDES:

NONE

**HP 1630A/D LOGIC ANALYZER**

Serial Numbers: 2311A00213 and Below (1630A)

Serial Numbers: 2311A00769 and Below (1630D)

**200 MHz OSCILLATOR REWORK**

The 1630A/D Logic Analyzers indicated above may require a rework of the 200 MHz oscillator on the 01630-66506 or 01630-66510 Master Timing board. This oscillator may not self-start reliably. Although the analyzer will not function properly when a fast sample rate is requested for the Timing Analyzer, this failure will not affect the performance of the rest of the analyzer.

**FAILURE IDENTIFICATION:**

If the 200 MHz oscillator is not self-starting, the Timing Analyzer will display "Waiting for Timing Trigger" for any acquisition with a sample rate of less than 500 nSec. The Timing Analyzer will work properly for sample rate of 500 nSec. and above.

**PARTS REQUIRED:**

| Description             | HP Part Number | Qty. |
|-------------------------|----------------|------|
| Cap. Variable 2 to 8 pF | 0121-0060      | 1    |

**MODIFICATION INSTRUCTIONS:**

1. REMOVE THE POWER CORD FROM THE INSTRUMENT.
2. Remove the Timing Master board from the 1630A/D as described in the Service Manual.
3. Replace C26 with the part specified above.
4. Adjust the oscillator as described in the Service Manual. Note:  
Adjust the oscillator for reliable self-starting, not for frequency!
5. Re-assemble the 1630A/D.

Repair Time: 1.25 hours

D/OF/WA

5/83-D2/DA

## E-6. Display Adjustment

1630A/D-3

SUPERCEDES:

NONE

### HP 1630A/D LOGIC ANALYZER

Serial Numbers: 2311A00223 and Below (1630A)

Serial Numbers: 2311A00790 and Below (1630D)

#### DISPLAY ADJUSTMENT

The 1630A/D Logic Analyzers indicated above may require display adjustment. This adjustment will prevent part of the display from disappearing off of the screen. A mis-adjusted screen will not harm the 1630A/D in any way, but this procedure is recommended anytime a unit comes in for service.

#### MODIFICATION INSTRUCTIONS:

1. Perform the Display Adjustment Procedure in the 1630A/D Service Manual.
2. Adjust the horizontal size to 146.6 mm and the vertical size to 96.5mm.

D/NS/WO

5/83-D2/DA

## E-7. Overvoltage Protection Design Change

1630A/D/G-4

SUPERCEDES:

NONE

### HP 1630A/D/G LOGIC ANALYZER

Serial Numbers: 2311A00808 and Below (1630A)

Serial Numbers: 2412A03410 and Below (1630D)

Serial Numbers: 2415A00171 and Below (1630G)

### OVERVOLTAGE PROTECTION DESIGN CHANGE

The 1630A/D/G Logic Analyzers make use of a set of neon bulbs which act as spark-gap to provide some degree of protection against the accidental application of 230 VAC when the unit is configured for 115 VAC. However, this circuit has not been totally effective in preventing damage to the instrument. In addition, there are some reliability problems associated with the neon bulbs.

#### FAILURE IDENTIFICATION:

If the power supply has failed, the CRT screen will not come up when the unit is switched on. Neon bulbs that have failed are black in color.

PARTS REQUIRED: None

#### MODIFICATION INSTRUCTIONS:

1. REMOVE THE POWER CORD FROM THE INSTRUMENT.
2. Remove top cover of instrument.
3. Clip out E1 and E2 without damage to other connections.
4. Replace top cover.

Repair Time: 0.25 hours

D/PM, OF/WA

5/84-08/SW